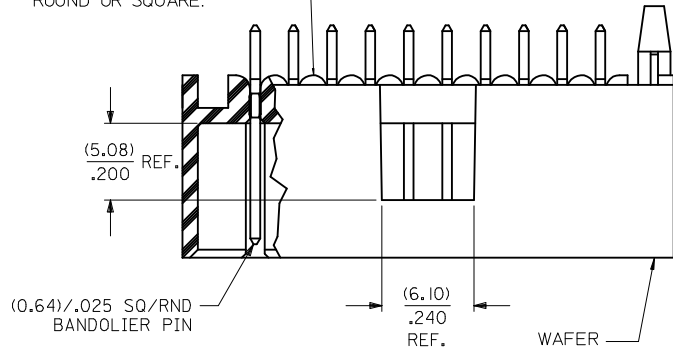
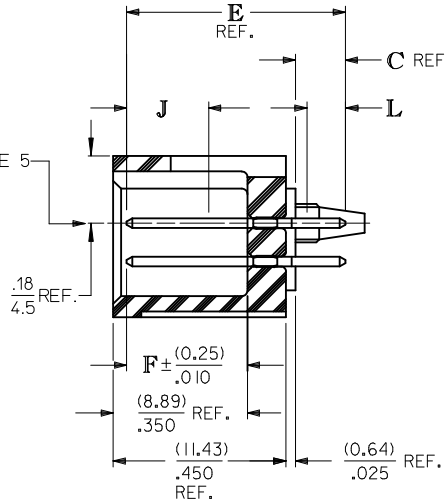
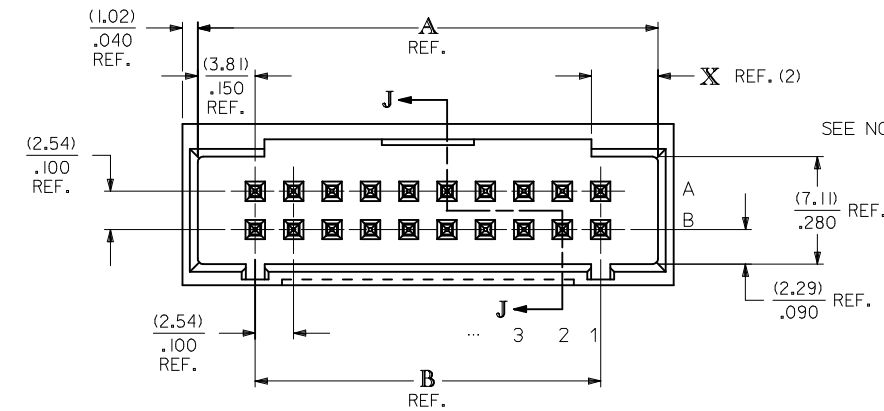


STAND OFFS CAN BE EITHER ROUND OR SQUARE.

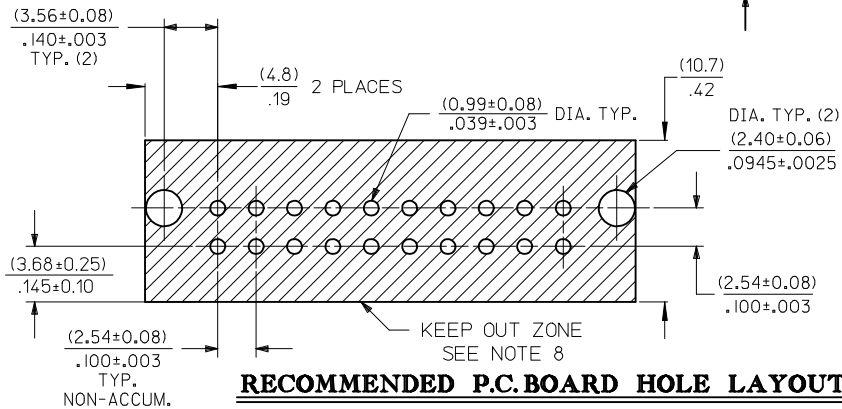
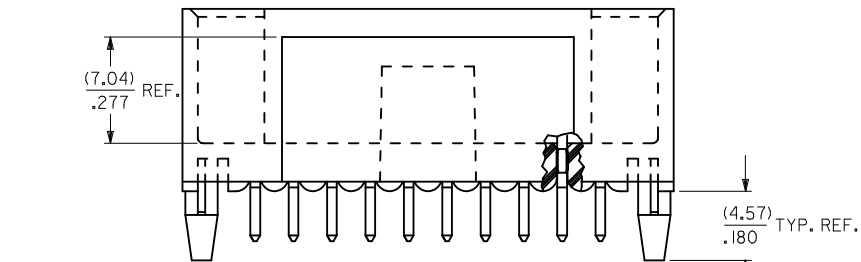


NOTES:

1. MATERIAL: WAFER - GLASS FILLED LIQUID CRYSTAL POLYMER, UL 94V-0, COLOR: BLACK, PIN: COPPER ALLOY.
2. PLATING: TIN
 TIN(Sn) ALLOY OVER ENTIRE PIN: THICKNESS = (3.81 MICROMETER)/ 150 MICROINCH MINIMUM;
 NICKEL (Ni) UNDERPLATE OVER ENTIRE PIN.
 15 GOLD SELECTIVE GOLD (Au) IN THE CONTACT AREA: THICKNESS = (0.38 MICROMETER)/ 15 MICROINCH MINIMUM;
 SELECTIVE TIN (Sn) ALLOY IN THE PC TAIL AREA: THICKNESS = (1.91 MICROMETER)/ 75 MICROINCH MINIMUM;
 NICKEL (Ni) UNDERPLATE OVER ENTIRE PIN.
 30 GOLD SELECTIVE GOLD (Au) IN THE CONTACT AREA: THICKNESS = (0.76 MICROMETER)/ 30 MICROINCH MINIMUM;
 SELECTIVE TIN (Sn) ALLOY IN THE PC TAIL AREA: THICKNESS = (1.91 MICROMETER)/ 75 MICROINCH MINIMUM;
 NICKEL (Ni) UNDERPLATE OVER ENTIRE PIN.
 * THE PRIMARY SHIPPING CARTON WILL BE LABELED "COMPLIANT TO RoHS DIRECTIVE 2002/95/EC AND ELV ANNEX II OF DIRECTIVE 2000/53/EC". CARTONS WITHOUT THIS LABEL MAY CONTAIN PRODUCT WITH LEAD.
3. PRODUCT SPECIFICATION: PS-70567.
4. PACKAGING: SEE CHARTS
5. PIN PUSHOUT FORCE: 4 LBS. MIN. IN DIRECTION INDICATED.
6. FOR ILLUSTRATION PURPOSES, 20 (DUAL 10) CIRCUIT SIZE IS SHOWN.
7. PINS MUST MEET SOLDERABILITY SPEC. SMS-152.
 EXCEPT VOIDS ARE PERMISSIBLE AT BANDOLIER PIN FAYING SURFACE. (APPROX. (0.64)/.025 LNG X (0.15)/.006 WD. REF.) - 2 LOCATIONS
8. NO FEATURES WHICH RISE ABOVE THE PCB SURFACE ALLOWED IN THIS AREA.
9. THIS PART CONFORMS TO CLASS B REQUIREMENTS OF COSMETIC SPEC PS-45499-002.



SECTION J-J



RECOMMENDED P.C. BOARD HOLE LAYOUT

| CKT. SIZE | DIM. A REF. | | DIM. B REF. | | DIM. X REF. | |
|-----------|-------------|-------|-------------|-------|-------------|------|
| | (MM) | INCH | (MM) | INCH | (MM) | INCH |
| 6 | (12.70) | .500 | (5.08) | .200 | (3.18) | .125 |
| 8 | (15.24) | .600 | (7.62) | .300 | (4.42) | .174 |
| 10 | (17.78) | .700 | (10.16) | .400 | (4.42) | .174 |
| 12 | (20.32) | .800 | (12.70) | .500 | (4.42) | .174 |
| 14 | (22.86) | .900 | (15.24) | .600 | (4.42) | .174 |
| 16 | (25.40) | 1.000 | (17.78) | .700 | (4.42) | .174 |
| 18 | (27.94) | 1.100 | (20.32) | .800 | (4.42) | .174 |
| 20 | (30.48) | 1.200 | (22.86) | .900 | (4.42) | .174 |
| 22 | (33.02) | 1.300 | (25.40) | 1.000 | (4.42) | .174 |
| 24 | (35.56) | 1.400 | (27.94) | 1.100 | (4.42) | .174 |
| 26 | (38.10) | 1.500 | (30.48) | 1.200 | (4.42) | .174 |
| 28 | (40.64) | 1.600 | (33.02) | 1.300 | (4.42) | .174 |
| 30 | (43.18) | 1.700 | (35.56) | 1.400 | (4.42) | .174 |
| 32 | (45.72) | 1.800 | (38.10) | 1.500 | (4.42) | .174 |
| 34 | (48.26) | 1.900 | (40.64) | 1.600 | (4.42) | .174 |
| 36 | (50.80) | 2.000 | (43.18) | 1.700 | (4.42) | .174 |
| 38 | (53.34) | 2.100 | (45.72) | 1.800 | (4.42) | .174 |
| 40 | (55.88) | 2.200 | (48.26) | 1.900 | (4.42) | .174 |
| 42 | (58.42) | 2.300 | (50.80) | 2.000 | (4.42) | .174 |
| 44 | (60.96) | 2.400 | (53.34) | 2.100 | (4.42) | .174 |
| 46 | (63.50) | 2.500 | (55.88) | 2.200 | (4.42) | .174 |
| 48 | (66.04) | 2.600 | (58.42) | 2.300 | (4.42) | .174 |
| 50 | (68.58) | 2.700 | (60.96) | 2.400 | (4.42) | .174 |
| 52 | (71.12) | 2.800 | (63.50) | 2.500 | (4.42) | .174 |
| 54 | (73.66) | 2.900 | (66.04) | 2.600 | (4.42) | .174 |
| 56 | (76.20) | 3.000 | (68.58) | 2.700 | (4.42) | .174 |
| 58 | (78.74) | 3.100 | (71.12) | 2.800 | (4.42) | .174 |
| 60 | (81.28) | 3.200 | (73.66) | 2.900 | (4.42) | .174 |
| 62 | (83.82) | 3.300 | (76.20) | 3.000 | (4.42) | .174 |
| 64 | (86.36) | 3.400 | (78.74) | 3.100 | (4.42) | .174 |
| 66 | (88.90) | 3.500 | (81.28) | 3.200 | (4.42) | .174 |
| 68 | (91.44) | 3.600 | (83.82) | 3.300 | (4.42) | .174 |
| 70 | (93.98) | 3.700 | (86.36) | 3.400 | (4.42) | .174 |
| 72 | (96.52) | 3.800 | (88.90) | 3.500 | (4.42) | .174 |

| | |
|-----|-----|
| 2 | G |
| 1 | H |
| SHT | REV |

| | | | | | |
|--|-------------------------------|--|--|--|--------------------|
| MODIFIED NOTES EC NO: UCP2009-0336 DRAWN: JLOSTER/ER 2008/09/23 CHKD: JBEL 2008/09/24 APPR: FSM/TH 2008/09/25 | QUALITY SYMBOLS ▽=0 ▽=0 | GENERAL TOLERANCES (UNLESS SPECIFIED) mm INCH 4 PLACES ± --- ± --- 3 PLACES ± --- ± .005 2 PLACES ± 0.13 ± .01 1 PLACE ± 0.25 ± --- ANGULAR ± 1/2° | DIMENSION STYLE MM/IN DRAWN BY DATE SMR 1993/11/10 CHECKED BY DATE SMR 1993/11/10 APPROVED BY DATE | SCALE 4:1 DESIGN UNITS INCH THIRD ANGLE PROJECTION | |
| | | DRAFT WHERE APPLICABLE MUST REMAIN WITHIN DIMENSIONS | MATERIAL NO. SEE TABLE SIZE C | DOCUMENT NO. SDA-70568-**** SHEET NO. 1 OF 2 | MOLEX INCORPORATED |
| | | SALES ASSY - DUAL ROW SHROUDED WAFER/HI TEMP .25SQ/RND PINS .100 GRID | | | MOLEX INCORPORATED |
| | | THIS DRAWING CONTAINS INFORMATION THAT IS PROPRIETARY TO MOLEX INCORPORATED AND SHOULD NOT BE USED WITHOUT WRITTEN PERMISSION | | | |

