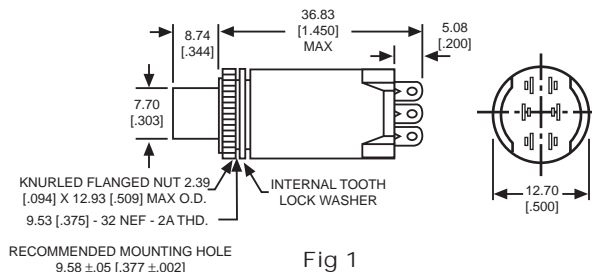


## 913 SERIES LED SWITCH

MOMENTARY ACTION 0.1 AMP AT 125 VAC OR 30 VDC

PART NO.	COLOR	CONTACT CIRCUIT	FIG
913-1551-1631-525	RED	N.O.	1
913-1553-1631-525	RED	TWO CIRCUIT	1
913-1601-1632-525	GREEN	N.O.	1
913-1603-1632-525	GREEN	TWO CIRCUIT	1
913-1604-1633-525	YELLOW	N.O.	1
913-1606-1633-525	YELLOW	TWO CIRCUIT	1

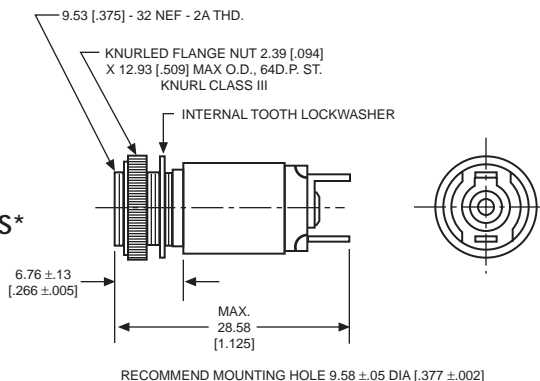


Material & Finish: Base, Black Anodized Aluminum. Cap, High Impact Plastic

Dimensions in mm [inches]

## 911 SERIES INDICATOR

PART NO.	CAP	FIG
911-1112-525	2	



Uses:  
T-1 3/4 MIDGET  
FLANGE BASE  
INCANDESCENT  
LAMP OR BASED  
LED LAMP

## 911 SERIES CAPS

CYLINDRICAL LENS WITH FRESNEL RINGS\*

CAP PART NO.	COLOR	FIG
911-1631	RED	3
911-1632	GREEN	3
911-1633	YELLOW	3
911-1634	BLUE	3
911-1635	WHITE	3

\*Not recommended for use with legends

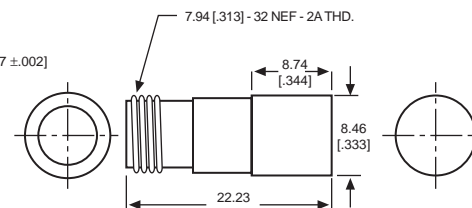
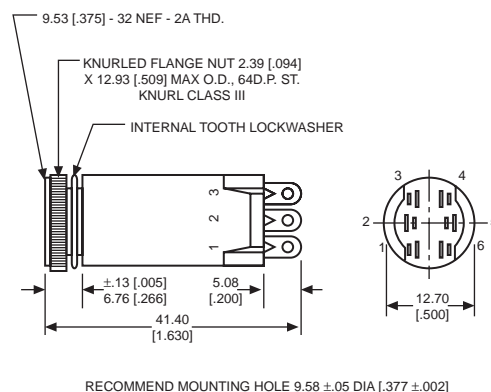


Fig. 2

Fig. 3

## 922 SERIES MOMENTARY SWITCH

PART NO.	SWITCH FORMS	FIG
922-1524-525	Normally Open	4
922-1526-525	Two Circuit	4



Uses:  
T-1 3/4 MIDGET  
FLANGE BASE  
INCANDESCENT  
LAMP OR BASED  
LED LAMP

Fig. 4

## 908 SERIES CAPS

CYLINDRICAL LENS WITH FRESNEL RINGS\*

CAP PART NO.	COLOR	FIG
908-1631	RED	5
908-1632	GREEN	5
908-1633	YELLOW	5
908-1634	BLUE	5
908-1635	WHITE	5

\*Not recommended for use with legends

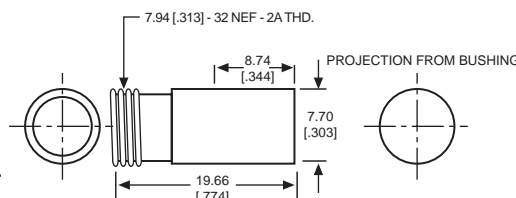


Fig. 5

Neon and incandescent lamp information on Pages 35 and 36.

Based LED lamp information on Pages 37 through 40.

Dimensions in mm [inches]

# Mouser Electronics

Authorized Distributor

Click to View Pricing, Inventory, Delivery & Lifecycle Information:

Dialight:

[908-1633](#) [908-1632](#)