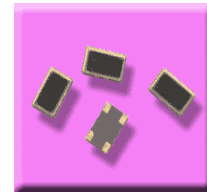




## ACT75T- 4 (TCXO) ACT75VT- 4 (VCTCXO)

The ACT75T/ VT family is a range of TC/ VCTCXOs housed in a ceramic package with a metal lid and is seam welded for good longer term stability. The pads are gold plated and the lid is grounded via the package to assist with EMI reduction.

**Applications** include Networking, Ethernet, Audio & Modem Clocks, Set Top Boxes, Phase Locked Loops, Telecomms, Video Games, WIFI, GPS & many Consumer Applications.



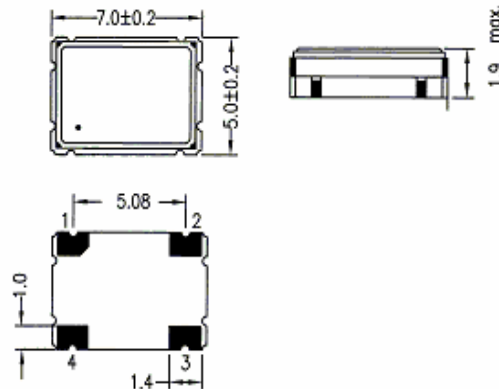
### Specification

Parameter	Symbol	Specification	Conditions
Supply Voltage	Vcc	3.0VDC $\pm$ 5%	
Frequency Range	fo	8.00 ~ 30.00 MHz	Please specify
Temp Operating Range	Topr	See table	Please specify
Temp Storage Range	Tstg	-40 to +85°C	
Initial Calibration Tolerance	$\Delta$ f/fo	$\pm$ 1.0ppm Typical @ 25°C $\pm$ 2.0°C	
<b>Frequency Stability</b>			
vs Operating Temp	$\Delta$ f/fo	See table below for available stabilities	
vs Input Voltage	Vin	$\pm$ 0.3ppm max for 5% change	
vs Load		$\pm$ 0.3ppm max for 10% change	
Aging	Fa	$\pm$ 1ppm / year max @25°C	
Supply Current (max)	Iop	2mA max	
Output Load	N/CL	Clipped Sine : 0.8V p-p min, 10K $\Omega$ //10pf Load	
Frequency Tuning Range		$\pm$ 12ppm Typical	VCTCXO Only
Control Voltage Range	Vcont	1.5V $\pm$ 1.0	VCTCXO Only
Slope Polarity		Positive	VCTCXO Only
Linearity		10% max	VCTCXO Only
Start-up Time	Tosc	2ms max	
SSB Phase Noise (Typical)		-135dBc/Hz max @ 1KHz offset	(For 10.0Mhz Device)

### STABILITY Vs OPERATING TEMPERATURE

Deg C	$\pm$ 1.0ppm	$\pm$ 1.5ppm	$\pm$ 2.0ppm	$\pm$ 2.5ppm	$\pm$ 3.0ppm
0~50	★	★	★	★	★
-10~60	★	★	★	★	★
-20~70		★	★	★	★
-30~75		★	★	★	★

### DIMENSIONS (mm)



### Pad Connections:

- Pad 1: NC for TCXO; Voltage Control for VCTCXO
- Pad 2: Ground
- Pad 3: Output
- Pad 4: Supply Voltage

Please note that all parameters can not necessarily be specified in the same device

Customer to specify : Frequency, Supply Voltage, Frequency Stability, Operating Temperature Range, Polarity & Package

In line with our ongoing policy of product evolution and improvement, the above specification may be subject to change without notice

ISO9001:2000 Registered

For quotations or further information please contact us at:

3 The Business Centre, Molly Millars Lane, Wokingham, Berkshire, RG41 2EY, UK

<http://www.actcrystals.com>

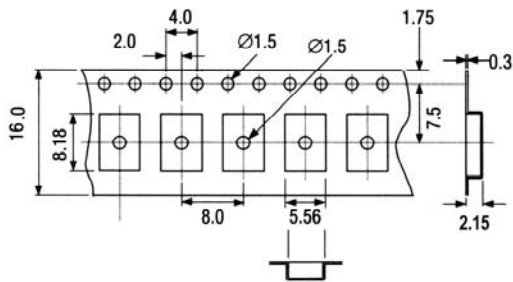
Issue : 3 B3

Date : 15/02/05

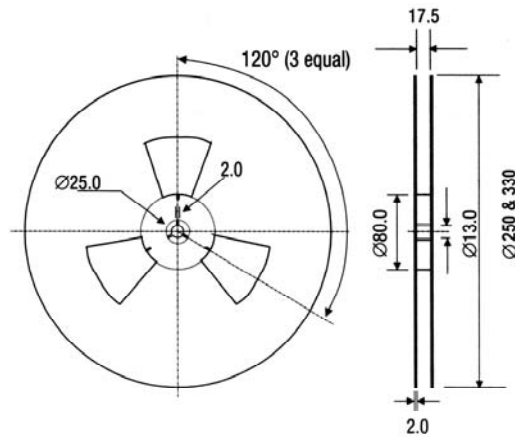
## ACT75VT- 4 / ACT75T- 4 TAPE & REEL SPECIFICATIONS

### Tape / Reel Dimensions ( Units in mm )

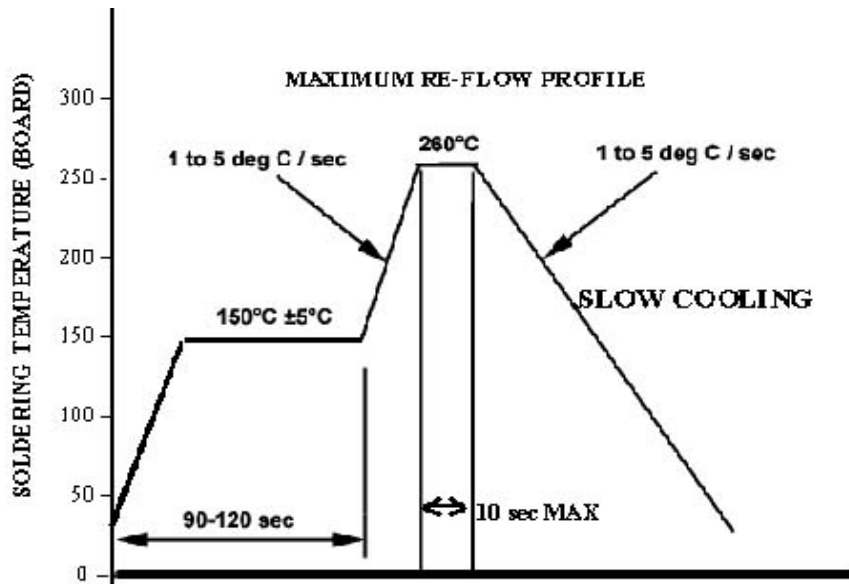
Outline in mm - Tape



Outline in mm - Reel



### Soldering Reflow Information



Please note that all parameters can not necessarily be specified in the same device

Customer to specify : Frequency, Supply Voltage, Frequency Stability, Operating Temperature Range, Polarity & Package

In line with our ongoing policy of product evolution and improvement, the above specification may be subject to change without notice

ISO9001:2000 Registered

For quotations or further information please contact us at:

3 The Business Centre, Molly Millars Lane, Wokingham, Berkshire, RG41 2EY, UK

<http://www.actcrystals.com>

Issue : 3 B3

Date : 15/02/05