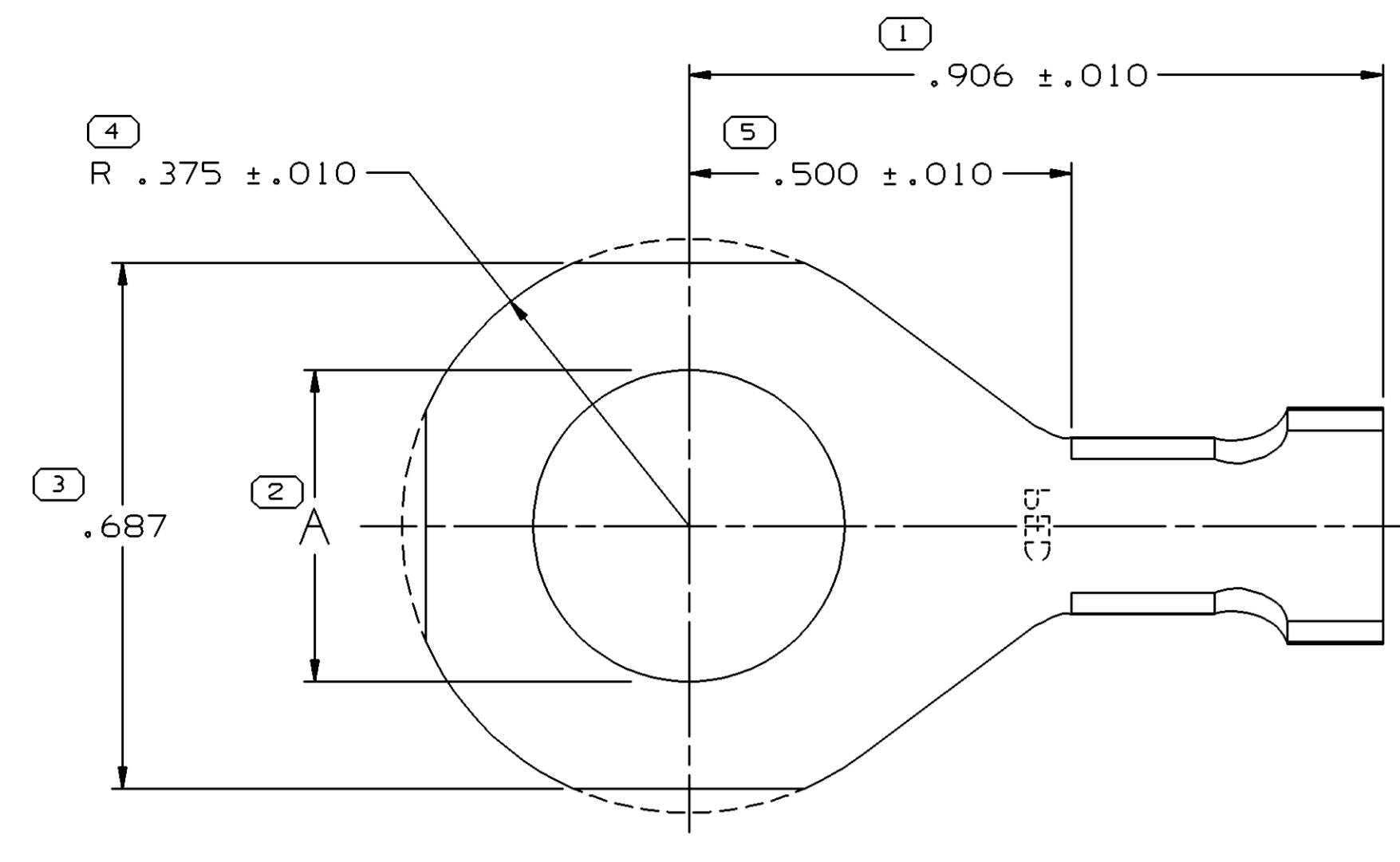
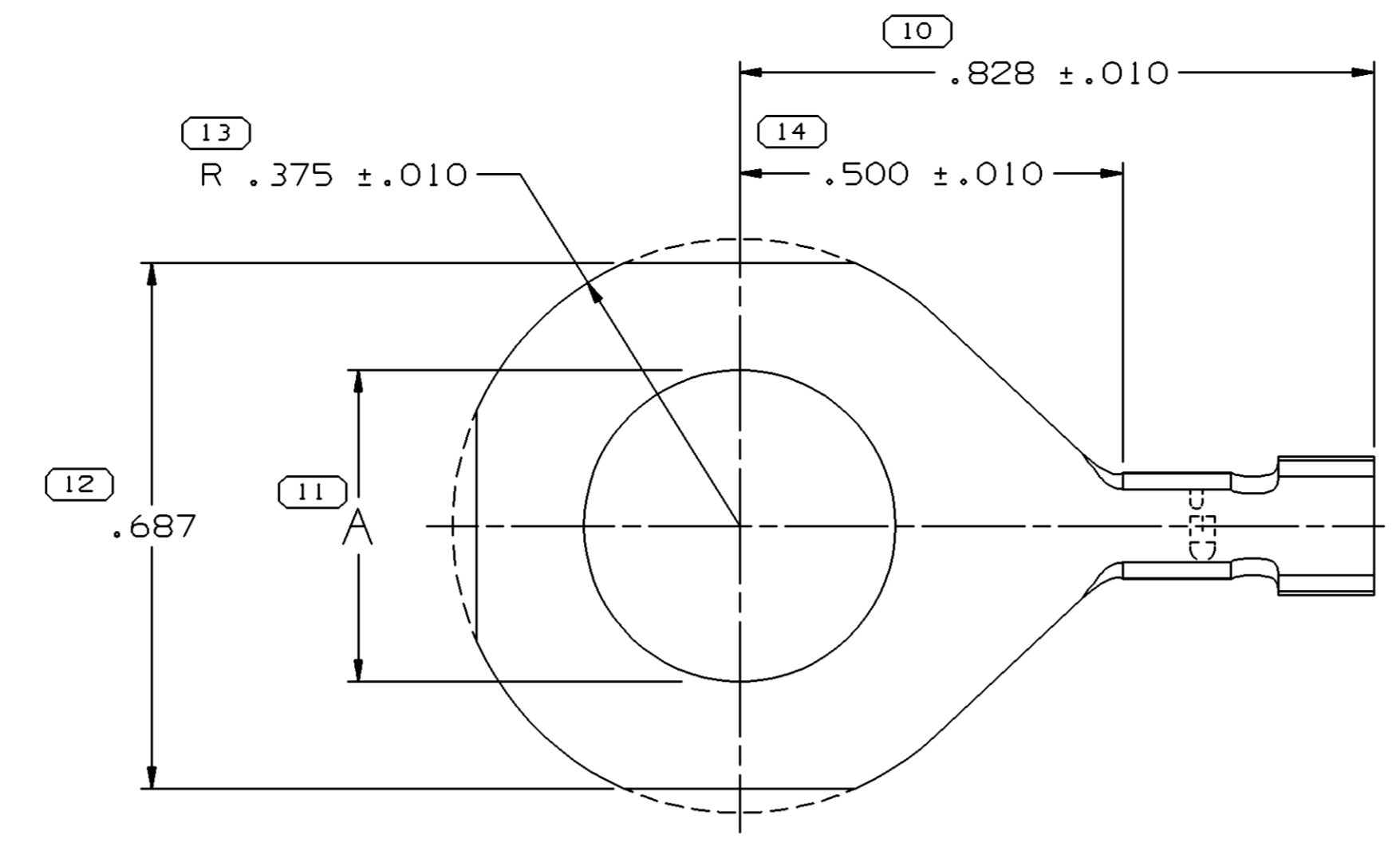


SYMBOL DEFINITION		MISSING SYMBOLS	
A DIMENSION WITHOUT AN INSPECTION REPORT SYMBOL DOES NOT REQUIRE INSPECTION. IT MAY BE CONTROLLED ON THE INDIVIDUAL COMPONENT DRAWING.	TOTAL NO OF INSPECTIONS REQUIRED	NO MISSING SYMBOL NUMBER	
	32		
	LAST NO. USED		
	32		

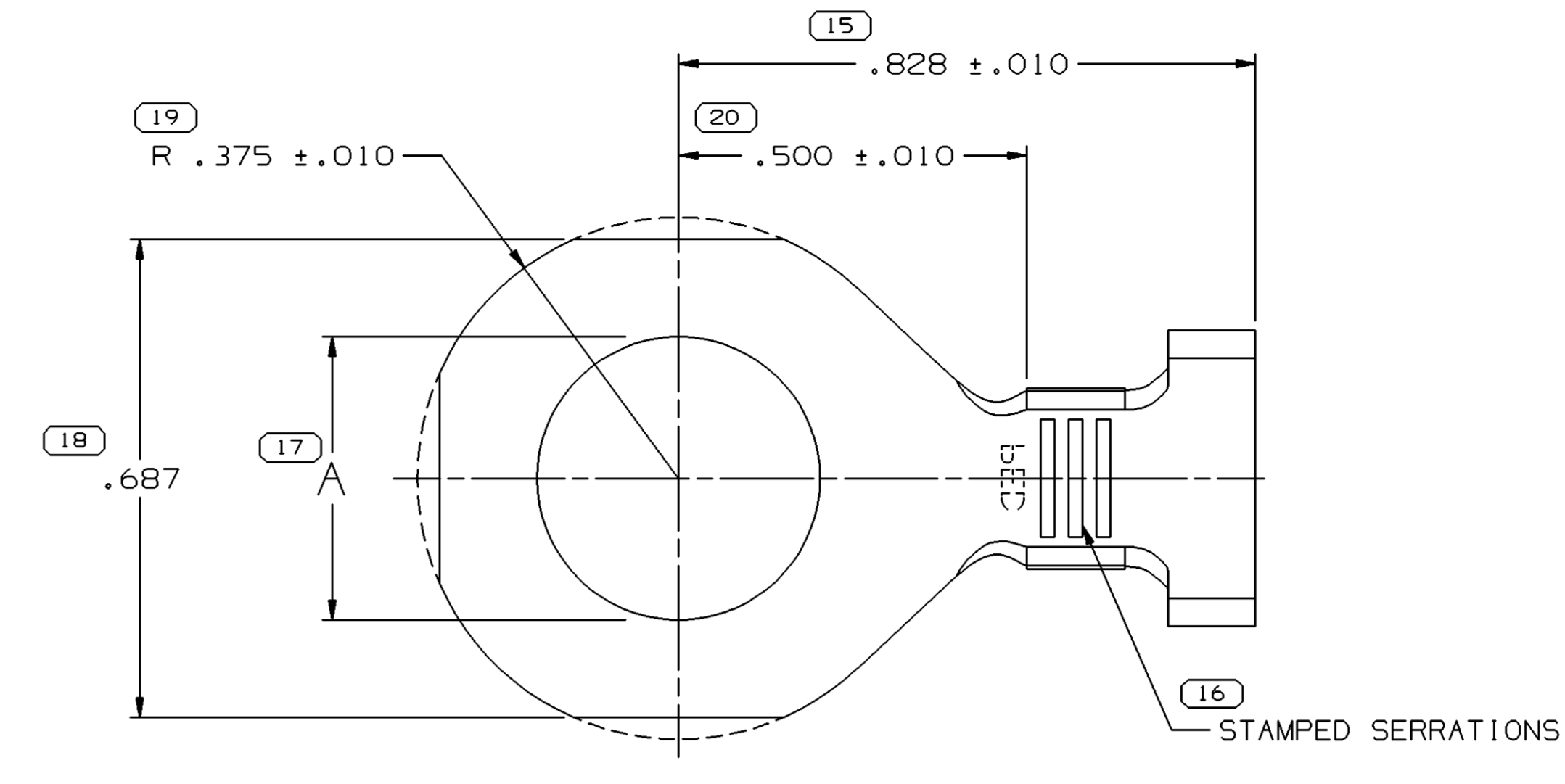
DWG STATUS				REVISION HISTORY				AUTH	DR	APVD
DATE	STG	REV	N/P	CHG	ZONE					
15MR04	R	06	-	-	-			252884	JVM	JVM
16JUL04	R	07	-	-	-			256676	ESH	FRG
26AUG04	R	08	-	-	-	12089238-	OBSOLETE REPLACED BY 12103511	257914	ADK	ADK



TYPE 201

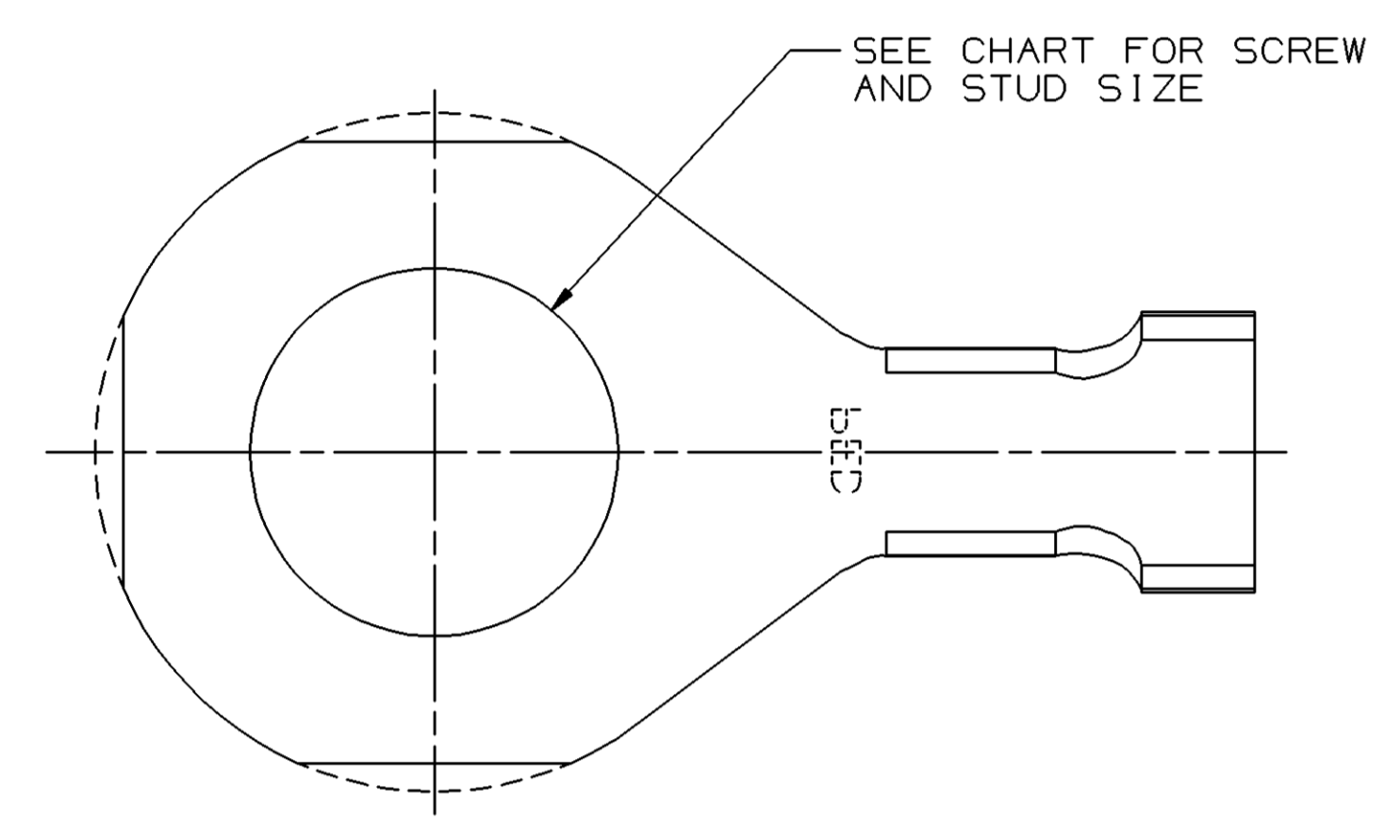


TYPE 202

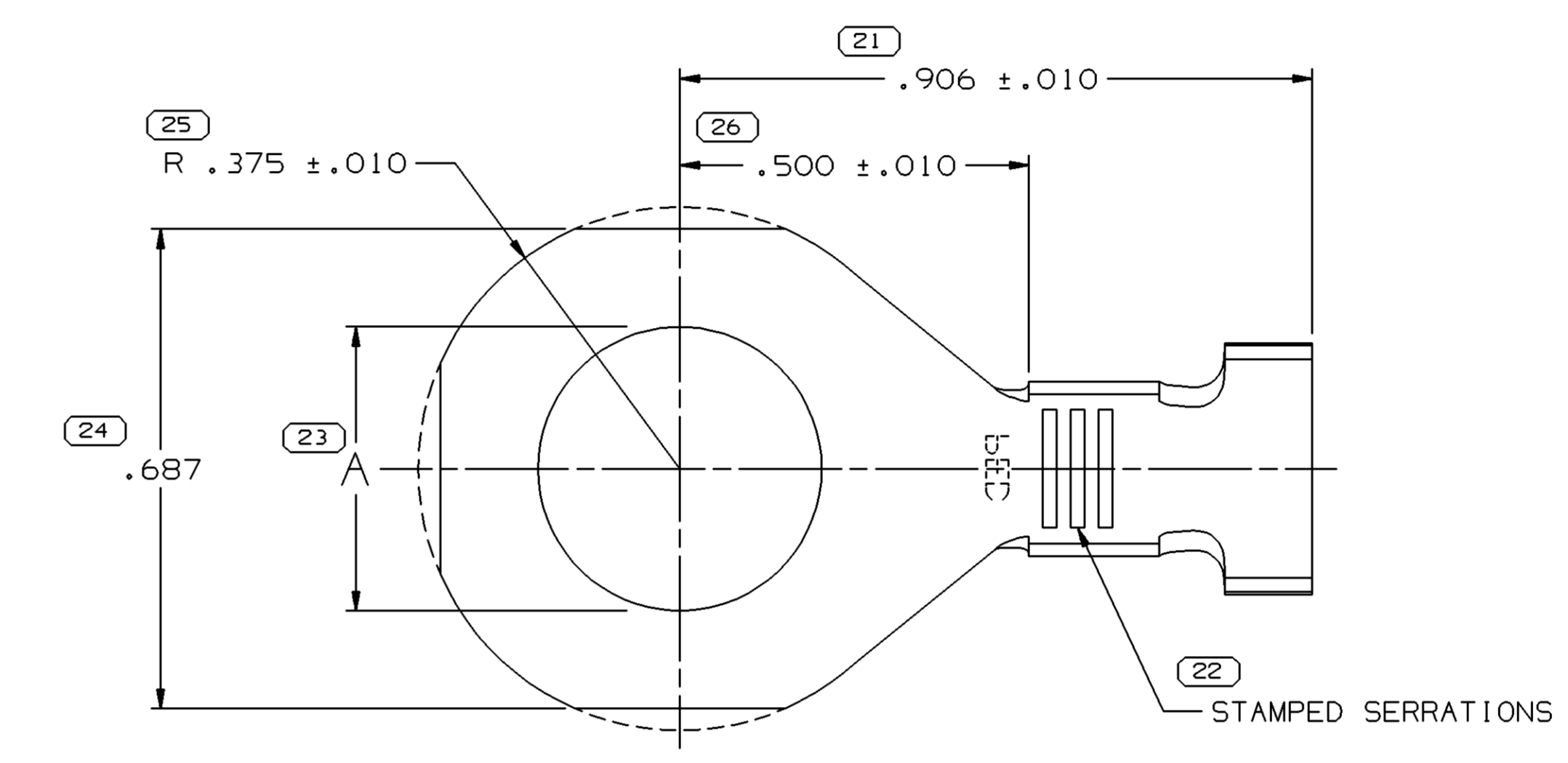


TYPE 203

SAME AS TYPE 202 EXCEPT AS SHOWN

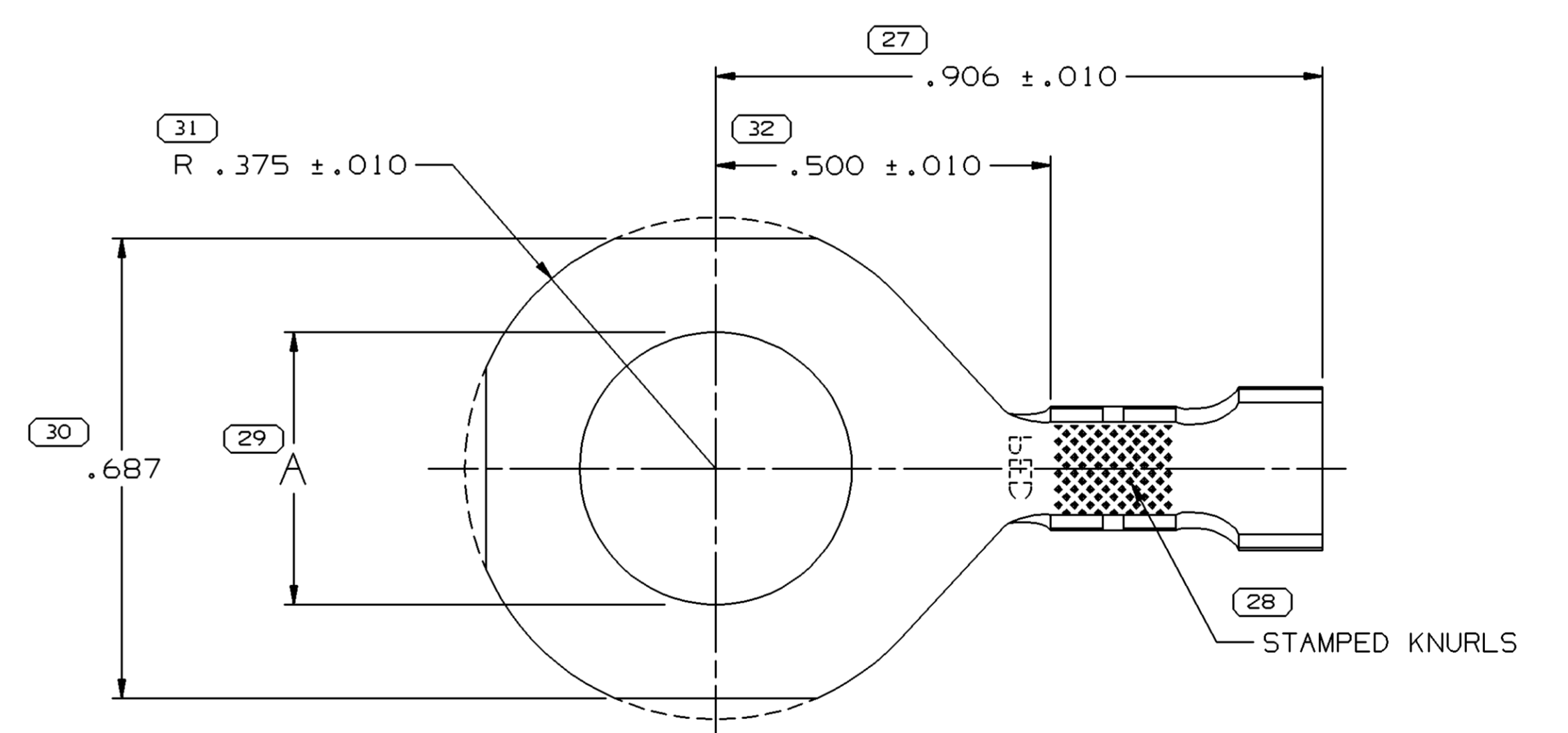


TYPE 201



TYPE 204

SAME AS TYPE 201 EXCEPT AS SHOWN



TYPE 205

SAME AS TYPE 201 EXCEPT AS SHOWN

PART NO	REV	N/P	STATUS	MAT'L SIZE	MAT'L SPEC	PART NO	REV	N/P	STATUS	MAT'L SIZE	MAT'L SPEC	SIZE (MM²)	DIA (MM)	ID	TYPE	A	G ±.015	V ±.5	W ±.03	X ±.03
				.0403 X 1.250		12013908	A	I		M3649159		8.0	5.54-5.28	8	205	.282±.003	.260	-	-	-
				.0320 X 1.250		12089562	A		OBSOLETE	M3649134		(2) 1.0 - 0.8	2.70-1.90	217	205	.345±.003	.201	-	-	-
				.0320 X 1.250		12089238	A	2	OBSOLETE	M3649134		(2) 1.0 - 0.8	2.70-1.90	217	205	.282±.003	.201	-	-	-
				.0320 X 1.250		12089237	A	I		M3649134		1.0 - 0.8	2.70-1.90	17	205	.282±.003	.142	-	-	-
				.0320 X 1.250		12084522	A	I		M3649134		3.0 - 2.0	3.70-2.50	13	205	.407±.003	.185	-	-	-
12048427	B	I		.02962953								5.0 - 3.0	4.48-3.39	11	201	(.407)	-	60°	.098	.054
				.0320 X 1.250		12015910	B	I		M3649134		2.0 - 1.0 & 0.8 - 0.5	3.97 MAX	1519	204	.407±.003	.240	-	-	-
				.0320 X 1.250		12015909	B	I		M3649134		2.0 - 1.0	3.97 MAX	15	204	.407±.003	.170	-	-	-
				.0320 X 1.250		12015908	B	I		M3649134		2.0 - 1.0 & 0.8 - 0.5	3.97 MAX	1519	204	.345±.003	.240	-	-	-
				.0320 X 1.250		12015907	B	I		M3649134		2.0 - 1.0	3.97 MAX	15	204	.345±.003	.170	-	-	-
				.0320 X 1.172		12015812	C	I		M3649131		(2) 0.8 - 0.5	3.13-2.69	219	203	.407±.003	.160	-	-	-
				.0320 X 1.172		12015811	C	I		M3649131		(2) 0.8 - 0.5	3.13-2.69	219	203	.345±.003	.160	-	-	-
12015106	C	I		.0403 X 1.250	M3614159							8.0	5.54-5.28	8	201	.244±.003	.260	-	-	-
12010836	C	I		.0403 X 1.250	M3614159							8.0	5.54-5.28	8	201	.471±.005	.260	-	-	-
12010245	C	I		.0403 X 1.250	M3614159							5.0 & 1.0	3.56-3.36	8	201	.345±.003	.280	-	-	-
12004984	C	I		.0403 X 1.250	M3614159	12010963	C		OBSOLETE	M3649159		8.0	5.54-5.28	8	201	.533±.005	.260	-	-	-
12004983	C	I		.0403 X 1.250	M3614159	12010047	C		OBSOLETE	M3649159		5.0 - 3.0	4.48-3.49	11	201	.533±.005	.230	-	-	-
12004483	C	I		.0403 X 1.250	M3614159							8.0	5.54-5.28	8	201	.471±.005	.260	-	-	-
12004370	B	OBSOLETE		.0403 X 1.250	M3614159							2.0 - 1.0	3.97-3.36	15	201	.533±.005	.165	-	-	-
12004369	B	OBSOLETE		.0403 X 1.250	M3614159							8.0	7.24-6.48	15	201	.407±.003	.260	-	-	-
12004368	B	OBSOLETE		.0403 X 1.250	M3614159							8.0	7.24-6.48	15	201	.282±.003	.260	-	-	-
08917796	C	I		.0403 X 1.250	M3614159							5.0 - 3.0	4.48-3.49	11	201	.471±.005	.230	-	-	-
08917642	C	I		.0403 X 1.250	M3614159	12010822	C		OBSOLETE	M3614159		8.0	5.54-5.28	8	201	.282±.003	.260	-	-	-
08911809	E	OBSOLETE		.0403 X 1.250	M3614159							8.0	5.54-5.28	8	201	.235±.003	.260	-	-	-
08911351	E	OBSOLETE		.0403 X 1.250	M3614159							5.0 & 1.0	3.56-3.36	8	201	.204±.003	.280	-	-	-
06288377	CK	OBSOLETE		.0320 X 1.172	M3614131							2.0 - 1.0	3.05-2.48	15	202	.407±.003	.160	-	-	-
02989948	CJ	OBSOLETE		.0403 X 1.250	M3614159							8.0	5.54-5.28	8	201	.407±.003	.260	-	-	-
02989716	CK	I		.0320 X 1.172	M3614131							(2) 0.8 - 0.5	3.13-2.69	219	202	.345±.003	.160	-	-	-
02989606	CK	I		.0320 X 1.172	M3614131							0.8 - 0.5	2.40-2.03	19	202	.345±.003	.140	-	-	-
02984799	CK	I		.0403 X 1.250	M3614159							2.0 - 1.0	3.97-3.36	15	201	.471±.005	.165	-	-	-
02984756	CK	I		.0320 X 1.172	M3614131							0.8 - 0.5	2.40-2.03	19	202	.407±.003	.140	-	-	-
02984278	CK	OBSOLETE		.0403 X 1.250	M3614159							(1) 0.8 - (2) 5.0	-----	-----	201	.407±.003	.280	-	-	-
02977493	BK	I		.0403 X 1.250	M3614159	12010821	BK		OBSOLETE	M3649159		2.0 - 1.0	3.97-3.36	15	201	.407±.003	.165	-	-	-
02977492	BK	I		.0403 X 1.250	M3614159	06294088	BK		OBSOLETE	M3649159		2.0 - 1.0	3.97-3.36	15	201	.345±.003	.165	-	-	-
02977491	BK	I		.0403 X 1.250	M3614159	12010964	C		OBSOLETE	M3649159		8.0	5.54-5.28	8	201	.345±.003	.260	-	-	-
02977490	BK	I		.0403 X 1.250	M3614159	02989996	BK		OBSOLETE	M3649159		5.0 - 3.0	4.48-3.49	11	201	.471±.005	.230	-	-	-
02962976	BK	I		.0403 X 1.250	M3614159	12010823	BL		OBSOLETE	M3649159		8.0	5.54-5.28	8	201	.407±.003	.260	-	-	-
02962953	BK	I		.0403 X 1.250	M3614159	02977944	BK		OBSOLETE	M3649159		5.0 - 3.0	4.48-3.49	11	201	.407±.003	.230	-	-	-

NOTES
 1. UNLESS OTHERWISE SPECIFIED AND/OR INDICATED: DIMENSIONS ARE TO FACE OF VIEW SHOWN AND AUTOMATICALLY ROUNDED BY COMPUTER FOR INSPECTION. (SEE MATH MODEL FOR PRECISE DIMENSIONS.) FOR ALL OTHER DIMENSIONS NOT SHOWN BUT REQUIRED FOR TOOL BUILD, SEE MATH MODEL FOR PRECISE TOOL PATH DATA.

PROCESS SENSITIVE DIMENSION	REFERENCE
.533±.003	1/2
.471±.003	7/16
.407±.003	3/8
.345±.003	5/16
.282±.003	1/4
.244±.003	#12
.235±.003	#12
.204±.003	#10

DIMENSIONAL RANGE (IN) FROM TO TOLERANCE UNLESS OTHERWISE SPECIFIED .005 ±.010 ANGULAR TOLERANCE 12°	THIRD ANGLE PROJECTION DO NOT SCALE USE MATH DATA
--	---

DELPHI
 DELPHI PACKARD ELECTRIC SYSTEMS
 WARREN, OH

DR	DATE
APVD1 J. VILLAMIL	15MR04
APVD2 J. VILLAMIL	15MR04
APVD3 E. HAROLDSON	17MR04
APVD4	
APVD5	

SUBSTANCES OF CONCERN AND RECYCLED CONTENT PER DELPHI 10949001

MATERIAL SEC. CHART

DRAWING NAME: TAXI TERM RING STR

DRAWING NUMBER: 02962869

SIZE A0 SCALE 5:1 FRAME NO 1 SHEET NO 1 OF 1 STG REV N/P 1 08