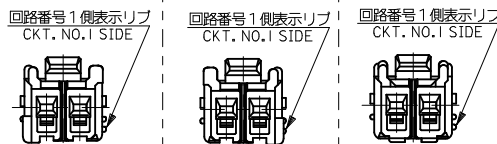
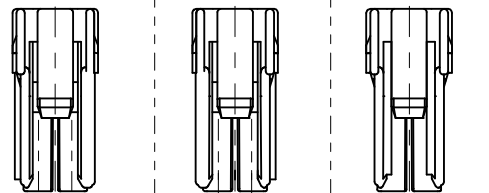


REC TERM
56187/56188-8*00
501395/500989-1*00

嵌合断面図
MATED CROSS SECTION

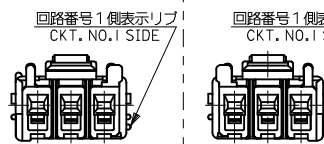
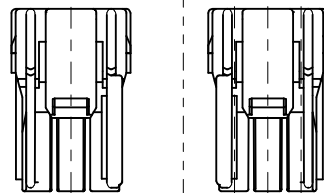
各種形状を下記に参考として示す。
尚、2種及び3種については嵌合間口にて誤嵌合/バリエーションを持たせている為組み合わせには注意して下さい。

2極品の形状
SHAPE OF 2 CIRCUITS



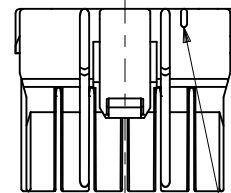
SHAPE OF 51347-0200 SHAPE OF 51347-0212 SHAPE OF 51347-0224

3極品の形状
SHAPE OF 3 CIRCUITS



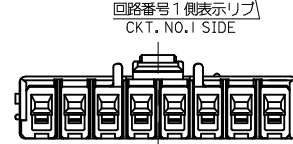
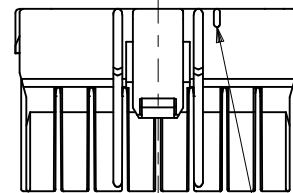
SHAPE OF 51347-0300 SHAPE OF 51347-0312

6極品の形状
SHAPE OF 6 CIRCUITS



SHAPE OF 51347-0650

8極品の形状
SHAPE OF 8 CIRCUITS



SHAPE OF 51347-0850

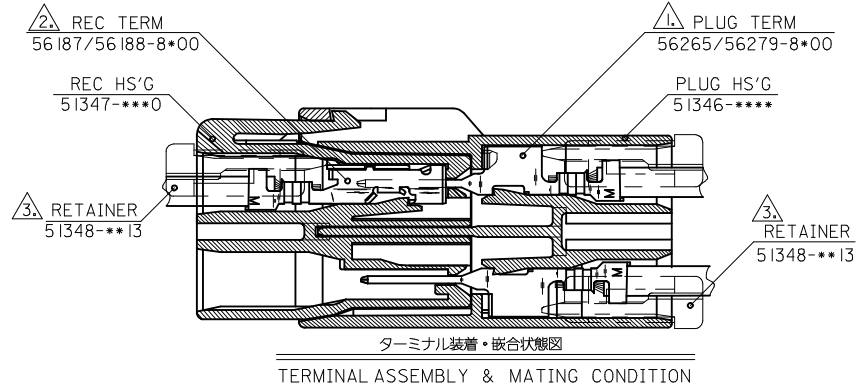
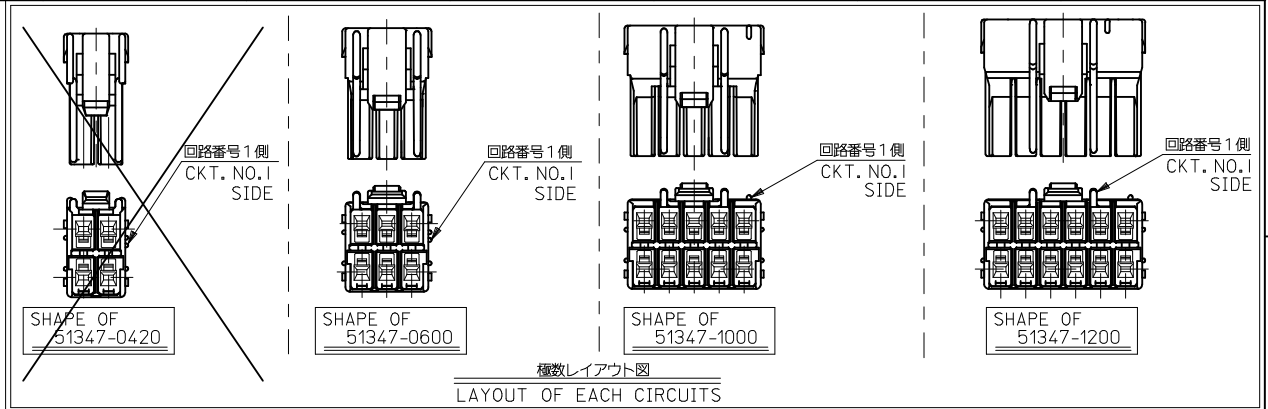
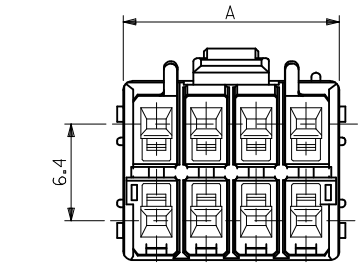
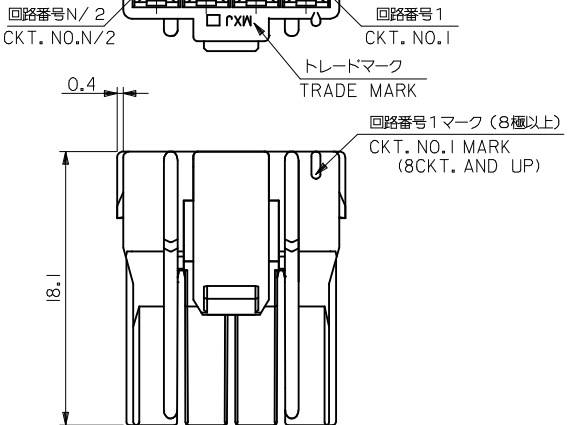
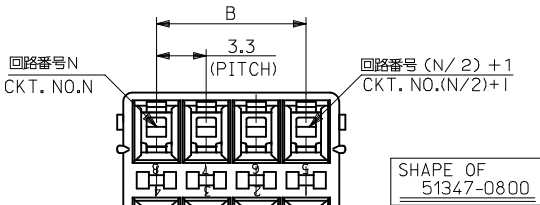
- 注記 NOTES
- 適合ターミナル : 56187/56188-8*00, 500989-1*00
APPLICABLE TERMINAL
詳細はSD-56187-002/SD-56188-002/SD-500989-002 参照のこと。
REFERENCE:SD-56187-002/SD-56188-002/SD-500989-002
 - 嵌合相手 : 55883-****
MATE WITH
詳細はSD-55883-**** 参照のこと。
REFERENCE:SD-55883-****
 - 適合リテーナー : 51348-***13
APPLICABLE RETAINER
詳細はSD-51348-*** 参照のこと。
REFERENCE:SD-51348-***
 - 材料 : ポリアミド (PA) UL94V-0
MATERIAL : POLYAMIDE(PA) UL94V-0
 - ELV及びRoHS 適合品
ELV AND RoHS COMPLIANT

| COLOR | B | A | CKT. | MATERIAL NO. | MODEL NO. |
|-----------------|------|------|------|--------------|------------|
| NATURAL (IVORY) | 23.1 | 27.5 | 8 | 51347-0850 | 51347-**** |
| NATURAL (IVORY) | 16.5 | 20.9 | 6 | -0650 | |
| NATURAL (IVORY) | 9.9 | 14.3 | 4 | -0400 | |
| RED | 6.6 | 11 | | -0312 | |
| NATURAL (IVORY) | 6.6 | 11 | 3 | -0300 | |
| BLUE | 3.3 | 7.7 | | -0224 | |
| RED | 3.3 | 7.7 | 2 | -0212 | |
| NATURAL (IVORY) | 3.3 | 7.7 | | 51347-0200 | |

| | | | | | | | |
|----------------------|--------------------|--|--|--|--------------------|------------------------------|------------------------------------|
| MATERIAL 材料 | 注記参照 SEE NOTES. | REVISED EC NO.: J2010-0432 DRWN: YOSHIKAWA 2009/09/11 CHKD: ASAKAWA 2009/09/14 APPR: NUKITA 2009/09/15 | GENERAL TOLERANCES (UNLESS SPECIFIED) | DIMENSION STYLE MM ONLY | SCALE --- | DESIGN UNITS METRIC | TITLE 3.3 W/B CONN REC HSG |
| FINISH 仕上げ | # | DESCRIPTION REV | 10 UNDER ±0.2 | DRAWN BY T.ODA | DATE 2004/01/15 | MATERIAL NO. DOCUMENT NO. | THIRD ANGLE PROJECTION |
| WIRE RANGE 適用電線範囲 | # | | 10 OVER 30 UNDER ±0.25 | CHECKED BY S.ICHIKAWA | DATE | | |
| INS. RANGE 被覆外径 | # | | 30 OVER ±0.3 | APPROVED BY Y. ITO | DATE | | |
| | | | ANGULAR ±3 ° | MATERIAL NO. | DATE | | |
| | | DRAFT WHERE APPLICABLE MUST REMAIN WITHIN DIMENSIONS | SIZE A3 | THIS DRAWING CONTAINS INFORMATION THAT IS PROPRIETARY TO MOLEX INCORPORATED AND SHOULD NOT BE USED WITHOUT WRITTEN PERMISSION | | SEE CHART | MOLEX INCORPORATED SD-51347-001 |
| | | | | | | | SHEET NO. 1 OF 1 |

10 9 8 7 6 5 4 3 2 1

本図は2列品を示す
DUAL ROW ASS'Y



注記
NOTES

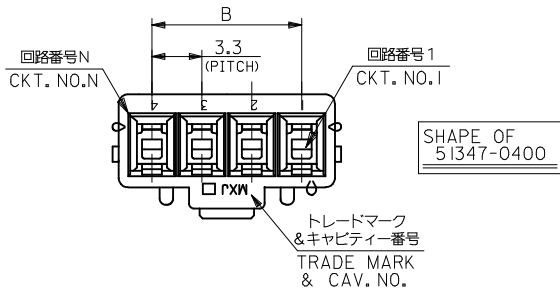
- 1. 適合ターミナル: 56187/56188シリーズ
APPLICABLE TERMINAL: 56187/56188 SERIES
- 2. 嵌合相手: 51346シリーズ
MATE WITH: 51346 SERIES
- 3. 適合リテーナー: 51348-***1* シリーズ
APPLICABLE RETAINER: 51348-***1* SERIES
- 4. 材質: NYLON66, UL94V-0

| | | | | | | | |
|------------|----------------------|---------|------|------|------|--------------|------------|
| 51346-1200 | 51348-0613 | NATURAL | 16.5 | 20.9 | 12 | 51347-1200 | |
| -1000 | -0513 | 4 | 13.2 | 17.6 | 10 | -1000 | 51347-**** |
| -0800 | -0413 | 4 | 9.9 | 14.3 | 8 | -0800 | |
| 51346-0600 | 51348-0313 | NATURAL | 6.6 | 11 | 6 | 51347-0600 | |
| 51346-0420 | 51348-0213 | NATURAL | 3.3 | 7.7 | 4 | 51347-0420 | |
| MATE WITH | CONFORMABLE-RETAINER | COLOR | B | A | CKT. | MATERIAL NO. | MODEL NO. |

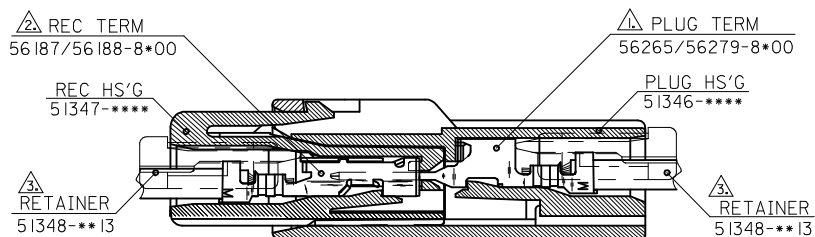
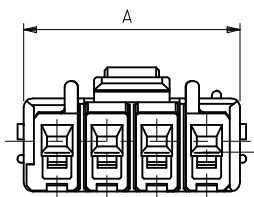
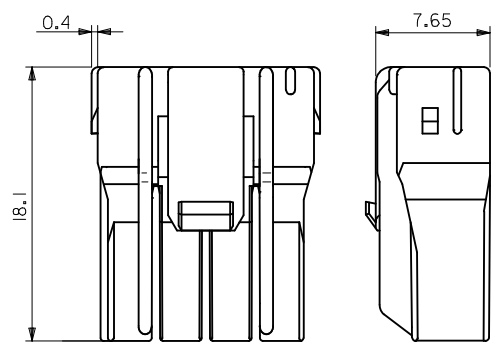
| | | | | | | | | | | | | |
|--|-------------|---|-------|----------------------------|-----------|--------------------------------|--|------------------------|--|------------------------|--|--|
| REVISED EC NO.: J2013-0477 2012/10/23 DRWN: ITO CHKD: KASAKAWA 2012/10/24 APPR: Y. ITO 2012/10/24 | DESCRIPTION | GENERAL TOLERANCES (UNLESS SPECIFIED) | | DIMENSION STYLE MM ONLY | | SCALE --- | | DESIGN UNITS METRIC | | THIRD ANGLE PROJECTION | | |
| | | 10 UNDER | ±0.2 | DRAWN BY | DATE | TITLE 3.3 W/W CONN REC HS'G | | | | | | |
| | | 10 OVER 30 UNDER | ±0.25 | T. ODA | '04/01/15 | | | | | | | |
| | | 30 OVER | ±0.3 | CHECKED BY | DATE | | | | | | | |
| | | ANGULAR | ±3 ° | APPROVED BY | DATE | MATERIAL NO. | | DOCUMENT NO. | | SHEET NO. | | |
| | | DRAFT WHERE APPLICABLE MUST REMAIN WITHIN DIMENSIONS | | Y. ITO | | SEE TABLE | | SD-51347-002 | | 1 OF 2 | | |
| | | THIS DRAWING CONTAINS INFORMATION THAT IS PROPRIETARY TO MOLEX INCORPORATED AND SHOULD NOT BE USED WITHOUT WRITTEN PERMISSION | | | | | | | | | | |

9 8 7 6 5 4 3 2

本図は1列品を示す
SINGLE ROW ASS'Y

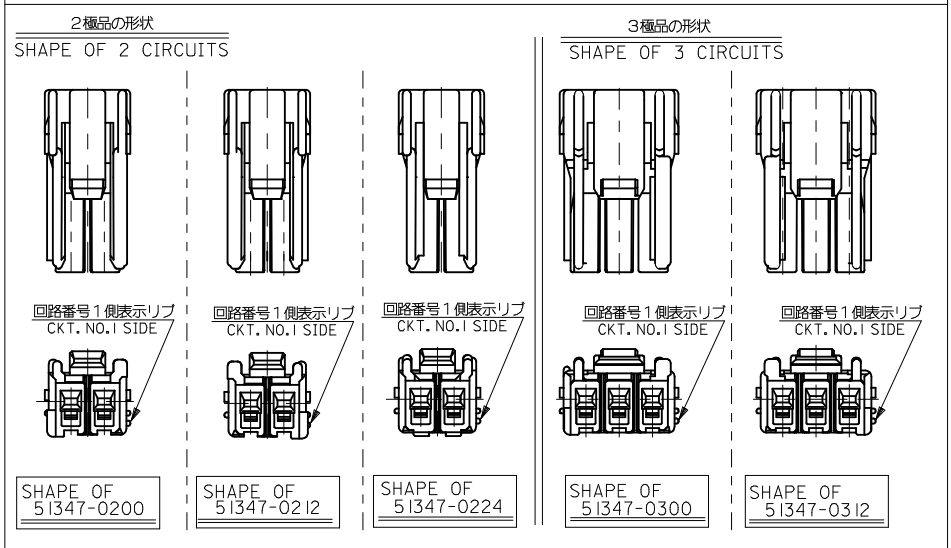


SHAPE OF 51347-0400



ターミナル装着・嵌合状態図
TERMINAL ASSEMBLY & MATING CONDITION

各種形状を下記に参考として示す。
尚、2種及び3種については嵌合間口にて誤嵌合/パリエーションを持たせている為組み合わせには注意して下さい。



- 注記 NOTES
- △ 適合ターミナル APPLICABLE TERMINAL : 56265/56279-8*00
詳細はSD-56265-001/SD-56279-001参照のこと。
REFERENCE:SD-56265-001/SD-56279-001
 - △ 適合ターミナル APPLICABLE TERMINAL : 56187/56188-8*00
詳細はSD-56187-002/SD-56188-002参照のこと。
REFERENCE:SD-56187-002/SD-56188-002
 - △ 適合リテーナー APPLICABLE RETAINER : 51348-***13
詳細はSD-51348-****参照のこと。
REFERENCE:SD-51348-****
- 4, 材料 MATERIAL : NYLON66, UL94V-0

| | | | | | | | |
|------------|----------------------|---------|-----|------|------|--------------|------------|
| 51346-0400 | 51348-0413 | NATURAL | 9.9 | 14.3 | 4 | 51347-0400 | 51347-**** |
| -0312 | -0313 | RED | 6.6 | 11 | 3 | -0312 | |
| -0300 | -0313 | NATURAL | 6.6 | 11 | | -0300 | |
| -0224 | -0213 | BLUE | 3.3 | 7.7 | | -0224 | |
| -0212 | -0213 | RED | 3.3 | 7.7 | 2 | -0212 | |
| 51346-0200 | 51348-0213 | NATURAL | 3.3 | 7.7 | | 51347-0200 | |
| MATE WITH | CONFORMABLE-RETAINER | COLOR | B | A | CKT. | MATERIAL NO. | MODEL NO. |

| | | | | | | | | | | | | |
|---|--------------------|---|-------|----------------------------|-----------|-------------------------------|--|------------------------|--|------------------------|--|--|
| REVISED EC NO: J2013-0477 2012/10/23 DRWN: ITO CHKD: KASAKAWA 2012/10/24 APPR: Y010 2012/10/24 | DESCRIPTION REV | GENERAL TOLERANCES (UNLESS SPECIFIED) | | DIMENSION STYLE MM ONLY | | SCALE --- | | DESIGN UNITS METRIC | | THIRD ANGLE PROJECTION | | |
| | | 10 UNDER | ±0.2 | DRAWN BY | DATE | TITLE 3.3W/W CONN REC HS'G | | | | | | |
| | | 10 OVER 30 UNDER | ±0.25 | T. ODA | '04/01/15 | | | | | | | |
| | | 30 OVER | ±0.3 | CHECKED BY | DATE | | | | | | | |
| | | ANGULAR ±3 ° | | APPROVED BY | DATE | | | | | | | |
| DRAFT WHERE APPLICABLE MUST REMAIN WITHIN DIMENSIONS | | MATERIAL NO. | | DOCUMENT NO. | | SHEET NO. | | | | | | |
| | | SEE TABLE | | SD-51347-002 | | 2 OF 2 | | | | | | |
| | | THIS DRAWING CONTAINS INFORMATION THAT IS PROPRIETARY TO MOLEX INCORPORATED AND SHOULD NOT BE USED WITHOUT WRITTEN PERMISSION | | | | | | | | | | |