

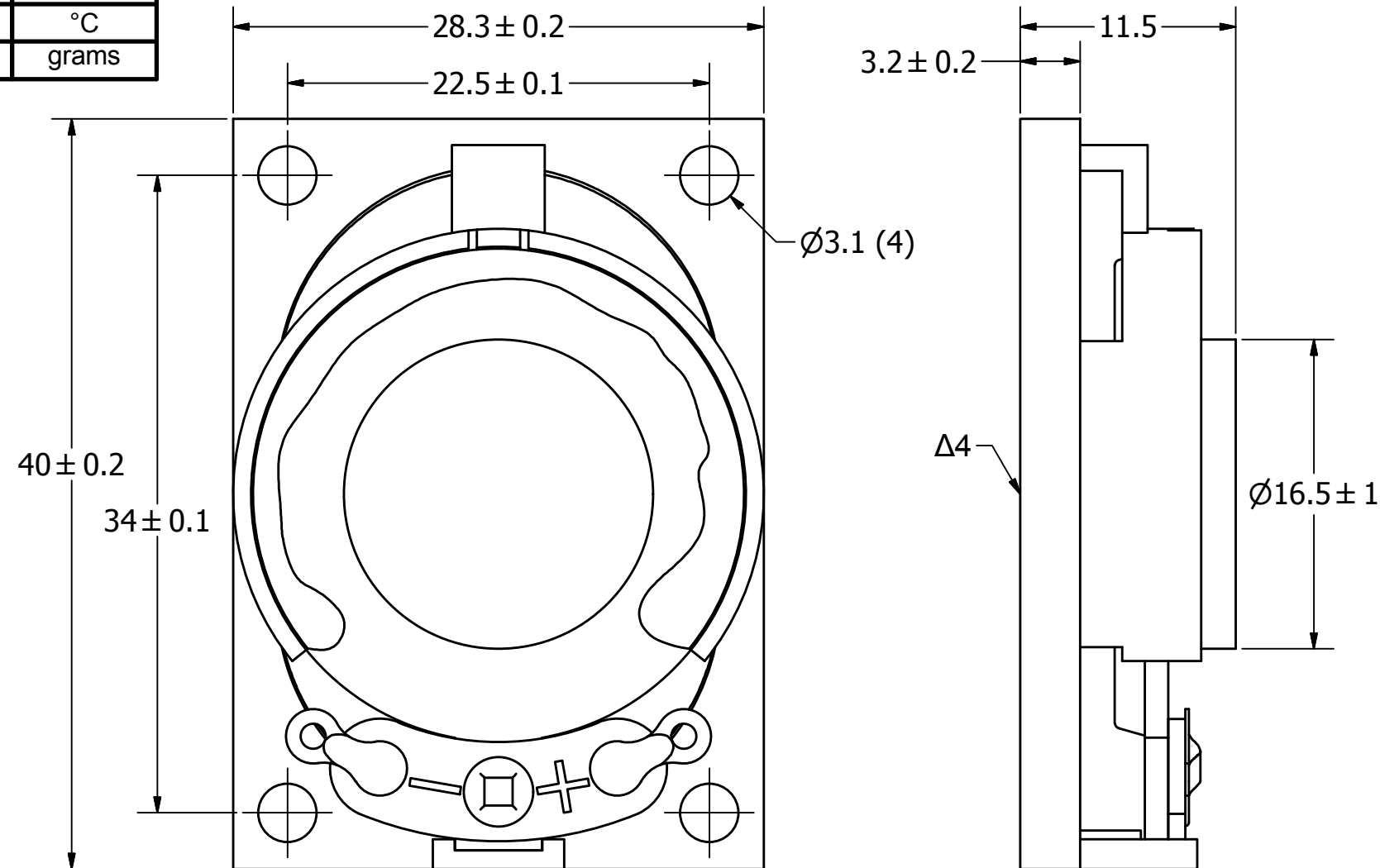
SPECIFICATIONS

| PARAMETERS | VALUES | UNITS |
|---|---------------|-------|
| RATED INPUT POWER | 2 | W |
| MAX INPUT POWER | 4 | W |
| IMPEDANCE | 8 ± 15% | OHM |
| OUTPUT SPL @ 1W/0.5M (AT 1.0, 1.2, 1.5, 2.0 kHz) | 84 ± 3 | dBA |
| DISTORTION (MAX.) | 5% | - |
| RESONANT FREQUENCY | 380 ± 20% | Hz |
| FREQUENCY RANGE | 380 ~ 20,000 | Hz |
| HOUSING MATERIAL | ABS | - |
| CONE MATERIAL | TREATED PAPER | - |
| MAGNET MATERIAL | Nd-Fe-B | - |
| OPERATING TEMPERATURE | -20 ~ +60 | °C |
| WEIGHT | 12 | grams |

THIS DOCUMENT CONTAINS DATA PROPRIETARY TO PROJECTS UNLIMITED, INC. ANY USE OR REPRODUCTION, IN ANY FORM, WITHOUT PRIOR WRITTEN PERMISSION OF PROJECTS UNLIMITED, INC. IS PROHIBITED.
©2003, Projects Unlimited Inc.

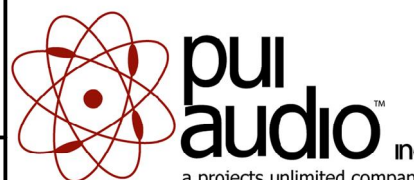
REVISION HISTORY

| LTR | DESCRIPTION | DATE | APPROVED |
|-----|--|------------|----------|
| - | RELEASED FROM ENGINEERING | 9/25/2006 | |
| A | REVISED TO INVENTOR 3-D DRAWING TEMPLATE | 12/31/2008 | B.R. |
| B | ADDED NOTE 5 | 8/12/2011 | B.R. |



NOTES:

1. ALL DIMENSIONS ARE IN MILLIMETERS.
2. SPECIFICATIONS SUBJECT TO CHANGE OR WITHDRAWL WITHOUT NOTICE.
3. THIS PART IS RoHS 2002/95/EC COMPLIANT.
- Δ4. CONE HAS BEEN TREATED FOR WATER RESISTANCE.
5. BASE SPEAKER PUI# AS04008PS-4W-R.

| UNLESS OTHERWISE SPECIFIED: DIMENSIONS ARE IN MILLIMETERS, TOLERANCES ARE ±0.5 AND ANGLES ARE ∠ 30°. | SIZE A3 | Designed by | Date | Checked by | Date | Approved by | Date | Drawn Date |
|--|-------------------|--|-----------|-------------------------------------|-----------|-------------|-----------|------------|
| | | J.D. | 9/25/2006 | B.R. | 9/25/2006 | R.W. | 9/25/2006 | 12/31/2008 |
| AS04008PS-4W-WR-R.idw | |  pui audio a projects unlimited company | | AS04008PS-4W-WR-R Speaker | | | Edition | Sheet |
| | | | | | | | - | 1 / 1 |

Mouser Electronics

Authorized Distributor

Click to View Pricing, Inventory, Delivery & Lifecycle Information:

[PUI Audio:](#)

[AS04008PS-4W-WR-R](#)