

Mixers Double Balanced

Applications

- Wideband Down Converters
- Wideband Up Converters
- Balanced Modulators
- Bi-Phase Modulators
- Phase Detectors

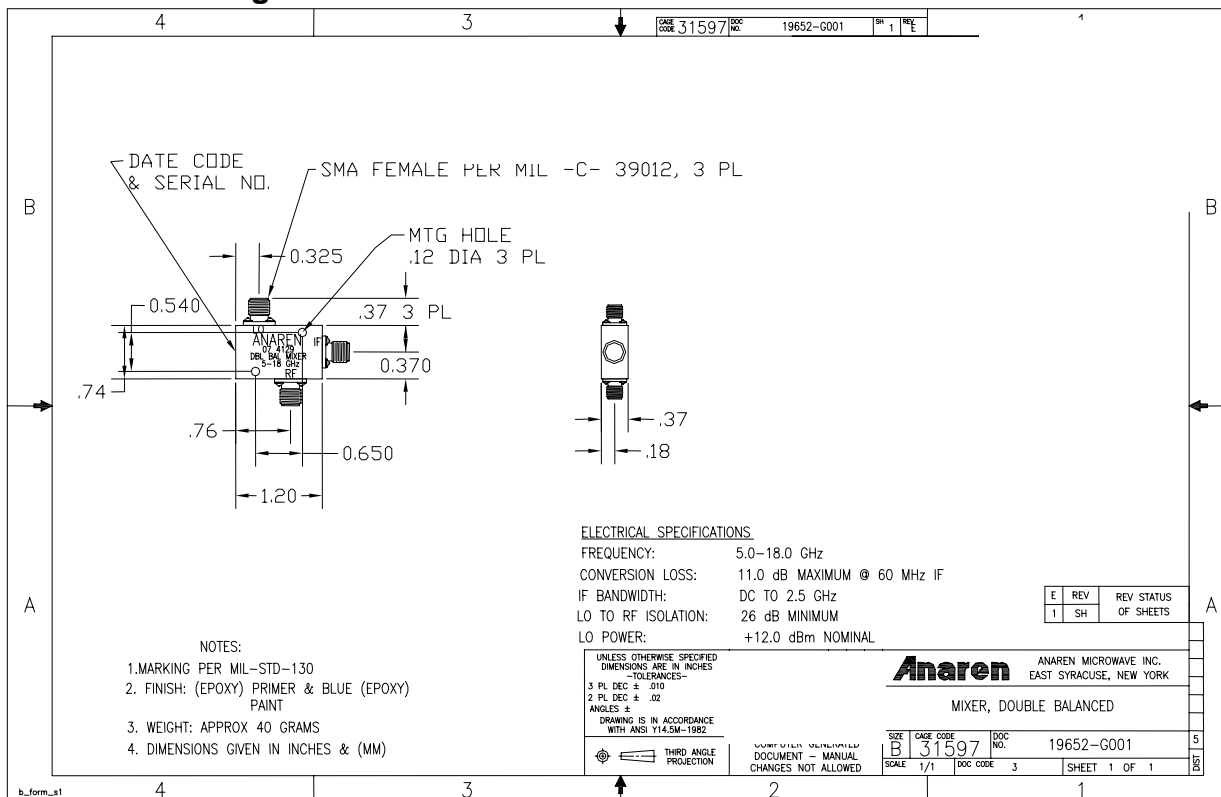
Features

- Extremely Wide IF Bandwidth
- 5.0 – 18.0 GHz
- Excellent LO/RF Isolation
- Multi-Octave Performance
- Good Intercept Point
- Miniature Size
- Connectors Per MIL-C-39012
- Meets MIL-E-5400 Class 3 Requirements



NOTES: Input power with load VSWR of 1.20:1
Electrical and Mechanical Specifications subject to change without notice

Outline Drawing



Mouser Electronics

Authorized Distributor

Click to View Pricing, Inventory, Delivery & Lifecycle Information:

[Anaren:](#)

[74129](#)