

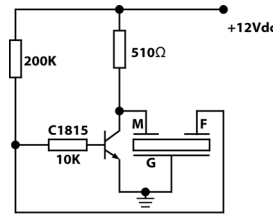
SPECIFICATIONS

| PARAMETERS | VALUES | UNIT |
|-------------------------------|-----------------------------|-------|
| RATED VOLTAGE | 12 | Vdc |
| OPERATING VOLTAGE RANGE | 1.5 ~ 24 | Vdc |
| RATED CURRENT (MAX) | 12 | mA |
| CAPACITANCE (MAIN) | 30,000 ± 30% | pF |
| CAPACITANCE (FEEDBACK) | 2,900 ± 30% | pF |
| MINIMUM SPL @ 10 CM CIRCUIT#1 | 90 | dBA |
| MINIMUM SPL @ 10 CM CIRCUIT#2 | 98 | dBA |
| MINIMUM SPL @ 10 CM CIRCUIT#3 | 75 | dBA |
| RESONANT FREQUENCY | 3,500 ± 500 | Hz |
| OPERATING TEMPERATURE | -20 ~ +70 | °C |
| STORAGE TEMPERATURE | -30 ~ +80 | °C |
| HOUSING MATERIAL | PBT | - |
| TERMINAL MATERIAL | TIN/NICKEL PLATED COPPER | - |
| WEIGHT | 5 | grams |

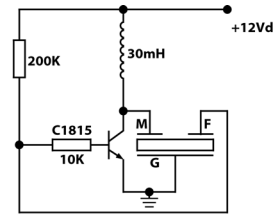
THIS DOCUMENT CONTAINS DATA PROPRIETARY TO PROJECTS UNLIMITED, INC. ANY USE OR REPRODUCTION, IN ANY FORM, WITHOUT PRIOR WRITTEN PERMISSION OF PROJECTS UNLIMITED, INC. IS PROHIBITED.
©2003, Projects Unlimited Inc.

REVISION HISTORY

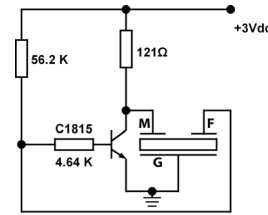
| LTR | DESCRIPTION | DATE | APPROVED |
|-----|--|------------|----------|
| - | RELEASED FROM ENGINEERING | 10/07/2005 | |
| A | REVISED TO INVENTOR 3-D DRAWING TEMPLATE | 9/11/2008 | B.R. |
| B | REVISED CAPACITANCE AND ADDED CIRCUIT# 3 | 9/5/2012 | B.R. |



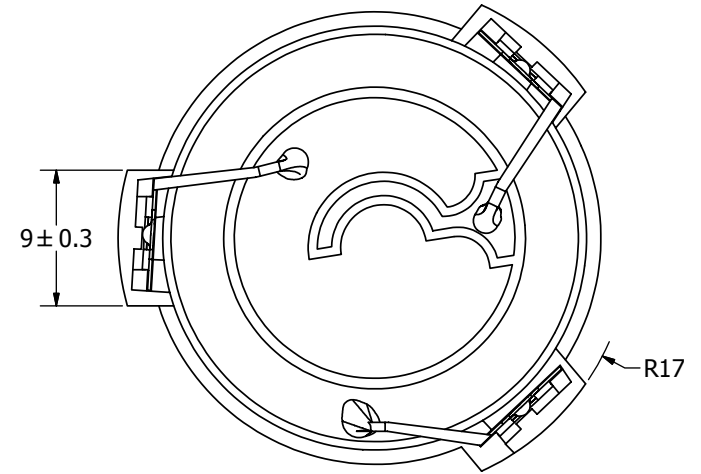
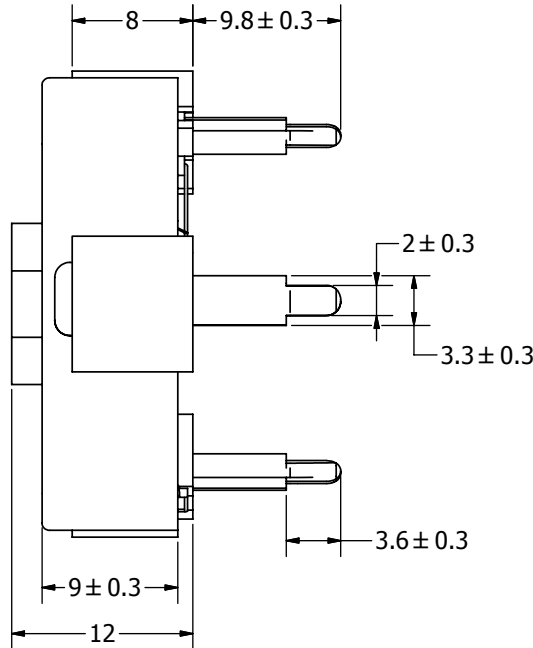
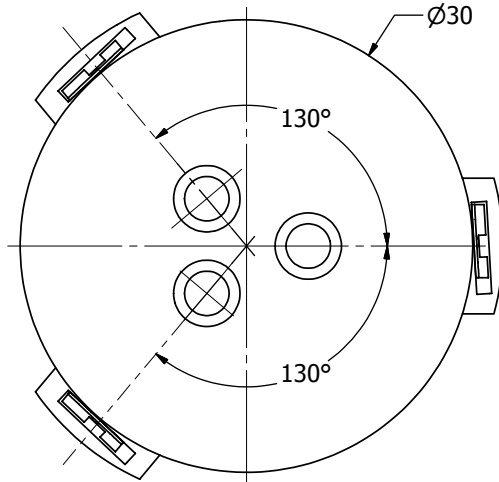
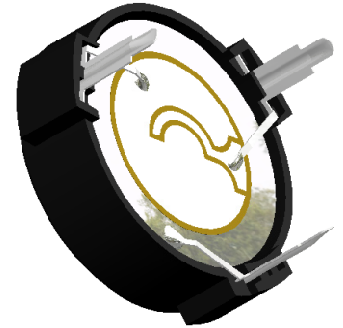
CIRCUIT #1



CIRCUIT #2

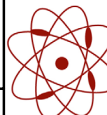


CIRCUIT #3



NOTES:

1. ALL DIMENSIONS ARE IN MILLIMETERS.
2. SPECIFICATIONS SUBJECT TO CHANGE OR WITHDRAWL WITHOUT NOTICE.
3. THE SOUND PRESSURE IS MEASURED BY USING THE REFERENCE DRIVING CIRCUITS SHOWN, CIRCUIT #2 HAS A HIGHER SPL.
4. THIS PART IS RoHS 2002/95/EC COMPLIANT.

| | | | | | | | | | | |
|--|------|--|-----------|---------------------|-----------|-------------|--------------------|------------|--------------|----------------|
| UNLESS OTHERWISE SPECIFIED: DIMENSIONS ARE IN MILLIMETERS, TOLERANCES ARE ±0.5 AND ANGLES ARE ±3°. | SIZE | Designed by | Date | Checked by | Date | Approved by | Date | Drawn Date | | |
| | A3 | J.A.F. | 10/7/2005 | B.R. | 10/7/2005 | E.P. | 10/7/2005 | 9/10/2008 | | |
| AT-3035-TT-R.idw | |  pui audio a projects unlimited company | | AT-3035-TT-R | | | Transducer (Piezo) | | Edition - | Sheet 1 / 1 |

Mouser Electronics

Authorized Distributor

Click to View Pricing, Inventory, Delivery & Lifecycle Information:

[PUI Audio:](#)

[AT-3035-TT-R](#)