

UbiQ-470

7.0" In-Wall Touch Panel

NEW



Features

- 7.0" 16:9 TFT touch panel
- Supports MPEG-4 @ 30 frames/sec
- Slim profile: faceplate protrudes 5 mm from the wall
- Built-in IR receiver, microphone, speaker and necessary I/O
- Faceplate is easily customized with various materials for unique product identity
- Supports Macromedia® Flash Player and JVM (Optional)

Introduction

The UbiQ-470 is designed for eHome/Building wall-mounted touch control applications. The Intel XScale® PXA270 processor combined with Microsoft Windows® CE 5.0 forms a high performance, reliable, fanless platform for in-wall touch control applications. Microsoft WinCE 5.0 and Macromedia Flash Player enable a friendly attractive GUI interface for eHome/eBuilding applications. Built-in display chip Intel 2700G with 32 MB VRAM and 7.0" 16:9 true color TFT LCD give perfect graphic performance. The built-in speaker and microphone can act as intercom through an analog audio interface or LAN. A built-in IR receiver implements the remote control capability. The elegant outlook is suitable for home environments and the faceplate protrudes only 5.0 mm from the wall. If the default faceplate does not fit in with your home style, we welcome faceplate customization requests. In addition, rich I/O interfaces, such as LAN, RS-232, RS-485, USB, DI/O and hotkeys are reserved for easy peripheral integration.

Specifications

System Kernel

- **OS** Windows CE 5.0 core version
- **CPU** Intel XScale PXA270 312 MHz (520 MHz as option)
- **Graphic Chip** Intel 2700G with 32 MB VRAM
- **SDRAM** 64 MB (128 MB as option)
- **Flash** 128 MB (256 MB as option)
- **RTC** Built-in with rechargeable 65 mAh coin battery
- **Power Management** Idle mode (turns off LCD)
- **Reset** H/W reset button

LCD & Touchscreen

- **Panel Type** 7.0" 18-bits TFT
- **Resolution** 16:9 800 (W) x 480 (H)
- **Brightness** 400 nits (adjustable by S/W)
- **Touchscreen** 4-wire resistive

I/O

- **SD** 1 x Slot (supports memory & I/O mode)
- **COM** COM1: RS-232 by DB-9 connector
COM2: RS-485 by Phoenix connector
- **USB** 2 x USB 1.1
- **Ethernet** 1 x 10/100Base-T by RJ-45 connector
- **IR Receiver** Coupled with UbiQ-310
- **Status LED** 5 x status (power status, security, message, remote control & reminder)
- **Expansion Connector** 50-pin box header includes COM3 (RS-232), USB host 1.1, Line-in, 4 DI, 4 DO, I2C & power (3.3 V & 5 V)

Audio

- **Speaker** 1 x 1.5 watt
- **Microphone** Built-in
- **Line-out** Line-out jack

Power

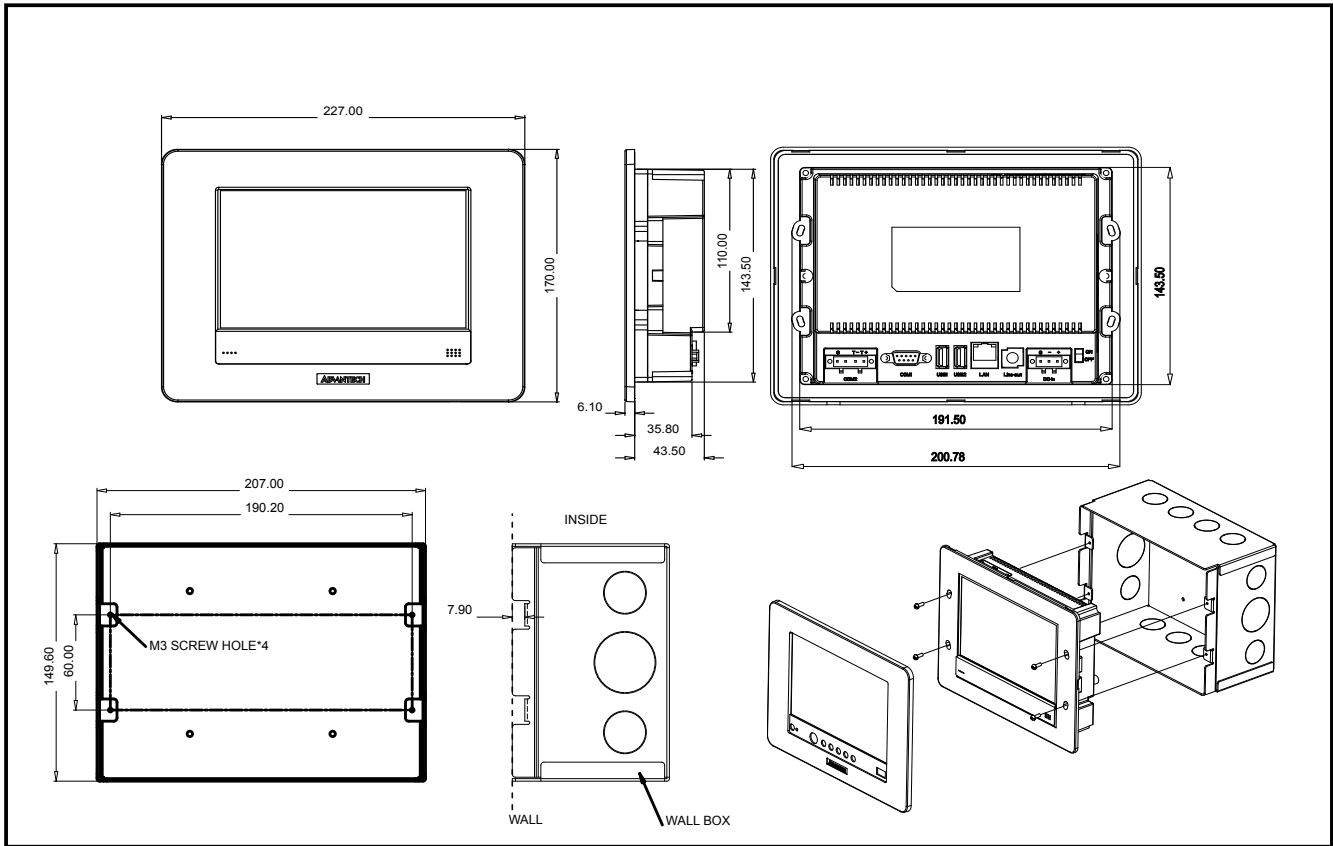
- **DC-in** 10 ~ 28 V by phoenix conn. with fuse protection
- **Power Switch** Slide type

Environmental & Physical

- **Operating Temperature** 0 ~ 50° C
- **Storage Temperature** -20 ~ 70° C
- **Certification** UL, FCC/CE Class B
- **RoHS Compliant** Yes

Optional S/W Support

- **GUI Middleware** Flash: Windows CE Macromedia Flash Player 7.0
ActiveX plug-in
JVM: BSQUARE JEM-CE 1.10.41 Java Virtual Machine
UbiQ Remote Manager 1.0
- **Maintenance Tool**



Ordering Information (Preliminary)

Part Number	Description
Ubiq-470-GCE0E	7.0" 800 x 480 16:9 TFT LCD & touchscreen, Intel XScale PXA270 and 2700G with Windows CE 5.0
UbiQ-WALLBOX-4700	UbiQ-470 series standard wall box

Packing List (Preliminary)

Description	Quantity
UbiQ-470 unit	1
Windows CE end user license agreement	1
CD-ROM	
1) Datasheet, user manual & application notes	
2) Upgrade utility (for image and boot logo) & related S/W support packages	1
3) Windows CE 5.0 platforms SDK	
Warranty card	1
Phoenix power connector	1

I/O Drawing

