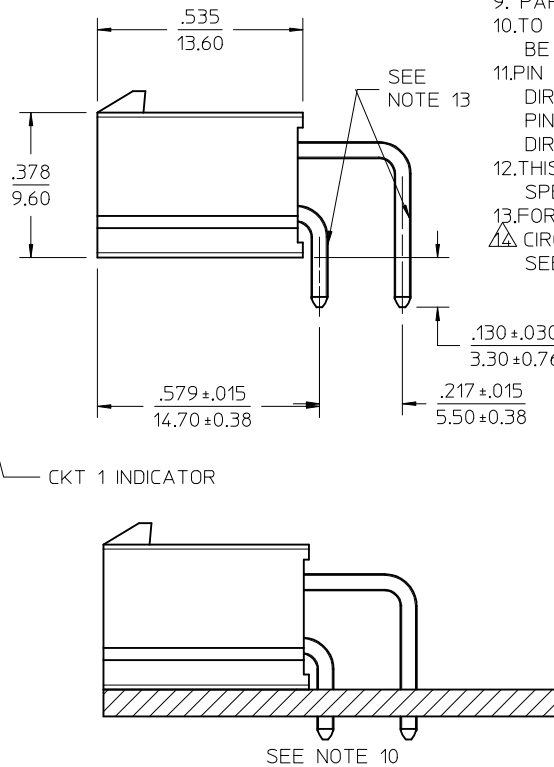
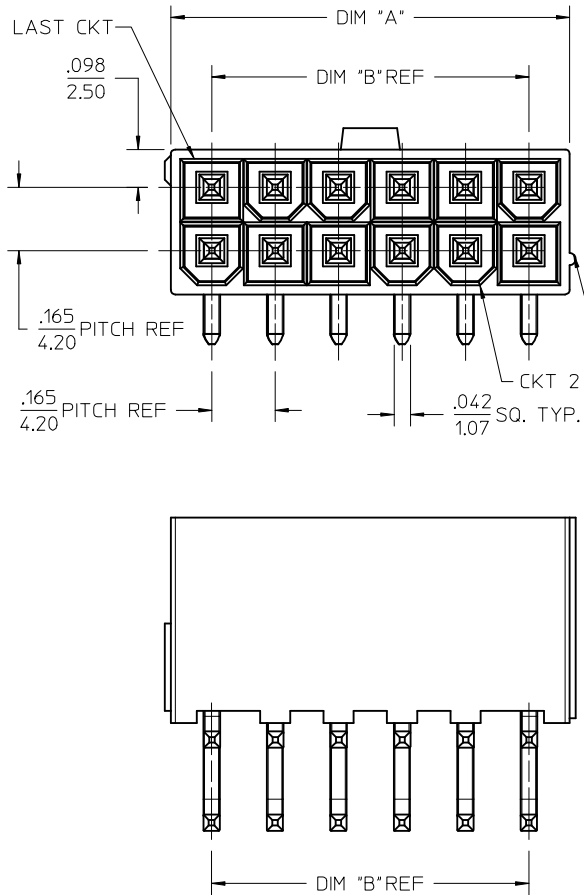
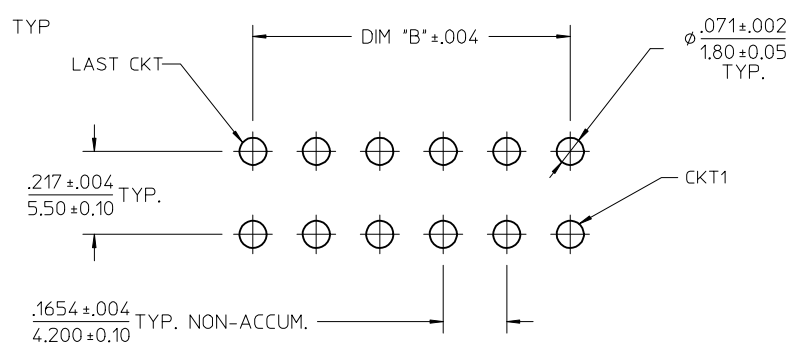


	13	12	11	10	9	8	7	6	5	4	3	2	1
	TIN PLATING			GOLD PLATING									
J	CKT SIZE	TRAY PACK MATERIAL NUMBER	TAPE & REEL MATERIAL NUMBER	TRAY PACK MATERIAL NUMBER	DIM "A"	DIM "B"							
	4	46991-1004	46991-4004	X 46991-2004	.38/9.6	.165/4.20							
	6	46991-1006	X 46991-4006	X 46991-2006	.54/13.8	.331/8.40							
	8	46991-1008	X 46991-4008	X 46991-2008	.71/18.0	.496/12.60							
	10	46991-1010	46991-4010	X 46991-2010	.87/22.2	.661/16.80							
	12	46991-1012	X 46991-4012	X 46991-2012	1.04/26.4	.827/21.00							
I	14	X 46991-1014	X 46991-4014	X 46991-2014	1.21/30.6	.992/25.20							
	16	X 46991-1016	X 46991-4016	X 46991-2016	1.37/34.8	1.160/29.40							
	18	X 46991-1018	X 46991-4018	X 46991-2018	1.54/39.0	1.323/33.60							
	20	X 46991-1020	X 46991-4020	X 46991-2020	1.70/43.2	1.488/37.80							
	22	X 46991-1022	X 46991-4022	X 46991-2022	1.87/47.4	1.654/42.00							
	24	X 46991-1024	X 46991-4024	X 46991-2024	2.03/51.6	1.819/46.20							

X DESIGNATES NOT TOOLED
SEE SHEET 2 FOR PART NUMBERS WITH VOIDS & MFBL



- NOTES:
- MATERIAL:
HOUSING - LIQUID CRYSTAL POLYMER (LCP), COLOR: BLACK.
TERMINAL - BRASS
 - TERMINAL PLATING: TIN = .000100/0.00254 MATTE TIN OVER
.000050/0.00127 NICKEL OVERALL
GOLD= .000030/0.00076 MIN. SELECT GOLD OVER
.000100/0.00254 MIN. SELECT MATTE TIN OVER
.000050/0.00127 MIN NICKEL OVERALL
 - PRODUCT SPECIFICATION: PS-46207-001.
 - PACKAGING SPECIFICATION: TRAY PACKED PER PK-5569-003 OR
TAPE AND REEL PACKAGED PER PK-46991-001.
 - PART MATES WITH MINIFIT JR RECEPTACLE SERIES 5557
 - DISCOLORIZATION IN THE BANDOLIER CARRIER AREA OF THE PIN IS
INHERENT TO THE PLATING PROCESS AND IS DUE TO THE MASKING EFFECT
OF THE CARRIER, THIS DISCOLORIZATION IS A NON-FUNCTIONAL AREA OF
THE PIN AND WILL NOT AFFECT THE PERFORMANCE OF THE HEADER ASSEMBLY.
 - CONNECTORS ARE NOT TO BE MATED OR UNMATED WHILE CIRCUITS ARE LIVE.
 - PARTS ARE NOT DESIGNED FOR CURRENT SHARING.
 - PART IS INTENDED FOR PIN IN PASTE REFLOW SOLDER ONLY.
 - TO AVOID INTERFERENCE BETWEEN THE RECEPTACLE AND PCB, HEADER MUST
BE PLACED AT THE EDGE OF PCB AS SHOWN.
 - PIN RETENTION IN HOUSING IS 2.2 LBS/1 KG MIN. BOTH
DIRECTIONS FOR TIN PLATING.
PIN RETENTION IN HOUSING IS 1.0 LBS/0.45 KG MIN. BOTH
DIRECTIONS FOR GOLD PLATING.
 - THIS PART CONFORMS TO CLASS B REQUIREMENTS OF COSMETIC
SPECIFICATION PS-45499-002.
 - FORMING MARKS ON PINS ARE ACCEPTABLE.
 - CIRCUITS SHOWN PROVIDE THE MATE-FIRST/BREAK-LAST FEATURE.
SEE CHART ON SHEET 2 FOR SPECIFIC CIRCUIT LOCATIONS.

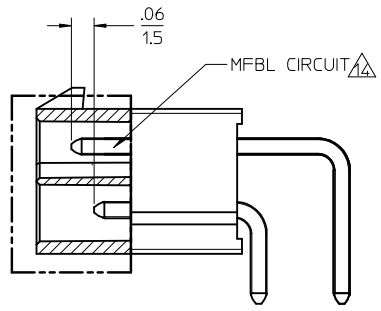
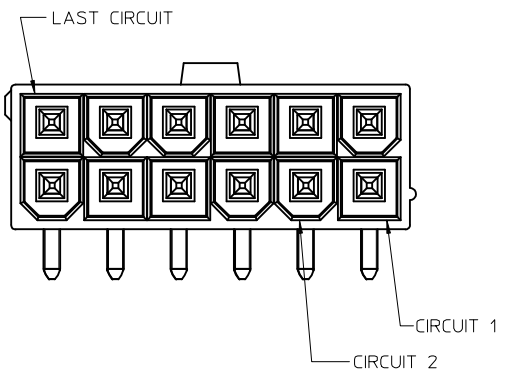


RECOMMENDED PCB HOLE LAYOUT FOR .070/1.78 MAX THICK P.C. BOARD
VIEWED FROM COMPONENT SIDE

RELEASE -4010 EC NO: UCP2014-5060 DRWN: DFOX 2014/06/03 CHKD: APPR: FSMITH 2014/06/12 REV: 5	QUALITY SYMBOLS	GENERAL TOLERANCES (UNLESS SPECIFIED)	DIMENSION STYLE	SCALE	DESIGN UNITS	THIRD ANGLE PROJECTION	
	▽=0	mm INCH	IN/MM	4:1	METRIC		
	▽=0	4 PLACES ± --- ± ---	DRAWN BY DATE	TITLE			
	▽=0	3 PLACES ± --- ± .010	JKLOSTERMEIE 2008/12/9	MINIFIT RTC RIGHT ANGLE HEADER ASSEMBLY W/O MOUNTING PEGS			
	▽=0	2 PLACES ± 0.25 ± .015	CHECKED BY DATE	molex			
		1 PLACE ± 0.38 ± ---	JBELL 2008/12/10	DOCUMENT NO.			
		0 PLACE ± --- ± ---	APPROVED BY DATE	SD-46991-001			
			FSMITH 2008/12/15	SHEET NO.			
		ANGULAR ±1/2°	SEE CHART				1 OF 2
		DRAFT WHERE APPLICABLE MUST REMAIN WITHIN DIMENSIONS	THIS DRAWING CONTAINS INFORMATION THAT IS PROPRIETARY TO MOLEX INCORPORATED AND SHOULD NOT BE USED WITHOUT WRITTEN PERMISSION				

MATERIAL NUMBER	NO OF CKT	PKG	PLATING SEE NOTE #2	PIN IDENTIFICATION CODE / CIRCUIT LOCATION (SEE CHART BELOW)																							
				CKT 1	CKT 2	CKT 3	CKT 4	CKT 5	CKT 6	CKT 7	CKT 8	CKT 9	CKT 10	CKT 11	CKT 12	CKT 13	CKT 14	CKT 15	CKT 16	CKT 17	CKT 18	CKT 19	CKT 20	CKT 21	CKT 22	CKT 23	CKT 24
46991-5001	06	TRAY	TIN	2	V	2	2	V	2																		
46991-5002	04	TRAY	TIN	1	2	1	1																				

PIN ID	MATING CONFIGURATION
1	MATE FIRST/BREAK LAST (LONGER)
2	STANDARD MATING



CKT SIZE	DIM "A"	DIM "B"
4	.38/9.6	.165/4.20
6	.54/13.8	.331/8.40
8	.71/18.0	.496/12.60
10	.87/22.2	.661/16.80
12	1.04/26.4	.827/21.00
14	1.21/30.6	.992/25.20
16	1.37/34.8	1.160/29.40
18	1.54/39.0	1.323/33.60
20	1.70/43.2	1.488/37.80
22	1.87/47.4	1.654/42.00
24	2.03/51.6	1.819/46.20

SEE SHEET 1 EC NO: UCP2014-5060 DRWN: DFOX 2014/06/03 CHKD: APPR: FSMITH 2014/06/12 REV:	QUALITY SYMBOLS	GENERAL TOLERANCES (UNLESS SPECIFIED)	DIMENSION STYLE	SCALE	DESIGN UNITS	THIRD ANGLE PROJECTION
	▽=0	mm INCH	IN/MM	4:1	METRIC	
	▽=0	4 PLACES ± --- ± ---	DRAWN BY DATE	TITLE	MINIFIT RTC RIGHT ANGLE HEADER ASSEMBLY W/O MOUNTING PEGS	
	▽=0	3 PLACES ± --- ± .010	CHECKED BY DATE	molex		
	▽=0	2 PLACES ± 0.25 ± .015	APPROVED BY DATE	DOCUMENT NO.		SHEET NO.
	1 PLACE ± 0.38 ± ---	FSMITH 2008/12/15	SEE CHART		SD-46991-001	2 OF 2
	0 PLACE ± --- ± ---	MATERIAL NO.	THIS DRAWING CONTAINS INFORMATION THAT IS PROPRIETARY TO MOLEX INCORPORATED AND SHOULD NOT BE USED WITHOUT WRITTEN PERMISSION			
	ANGULAR ±1/2°					
	DRAFT WHERE APPLICABLE MUST REMAIN WITHIN DIMENSIONS					