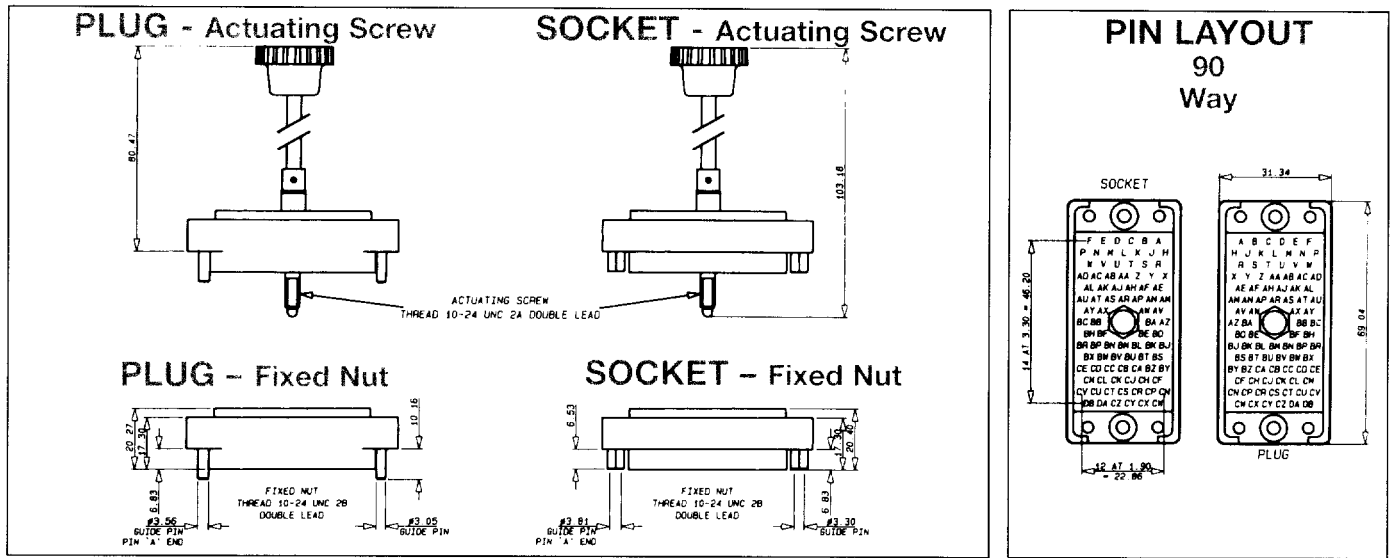


Series 8016 – Rectangular Connector – 90 Way



ORDERING CODE



Contact Termination

*000 = Contacts not fitted and ordered separately, see page 22 for full list of options

217 = Solder 0.098" x 2.49mm

218 = Wire Wrap -
 0.025 x 0.050 x 0.567" / 0.64 x 1.27 x 14.4mm

296 = Wire Wrap -
 0.025 x 0.026 x 0.579" / 0.64 x 1.27 x 19.3mm

504 = Solder Tail -

750 = Wire Wrap -
 0.025 x 0.050 x 0.760" / 0.64 x 1.27 x 19.3mm

*Crimp contacts always ordered separately. See page 22 for details.

CONNECTOR PLUG AND RECEPTACLE COMBINATIONS

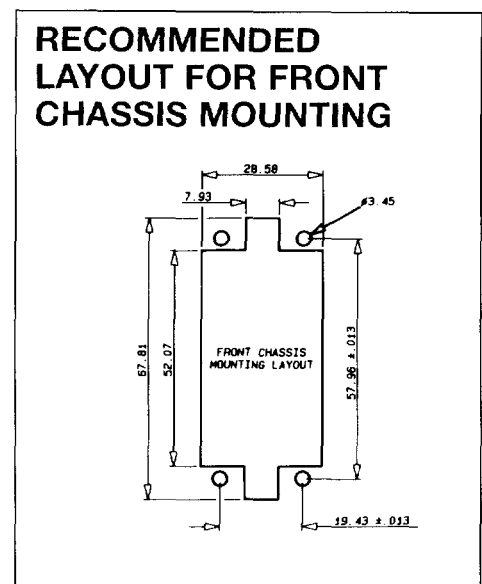
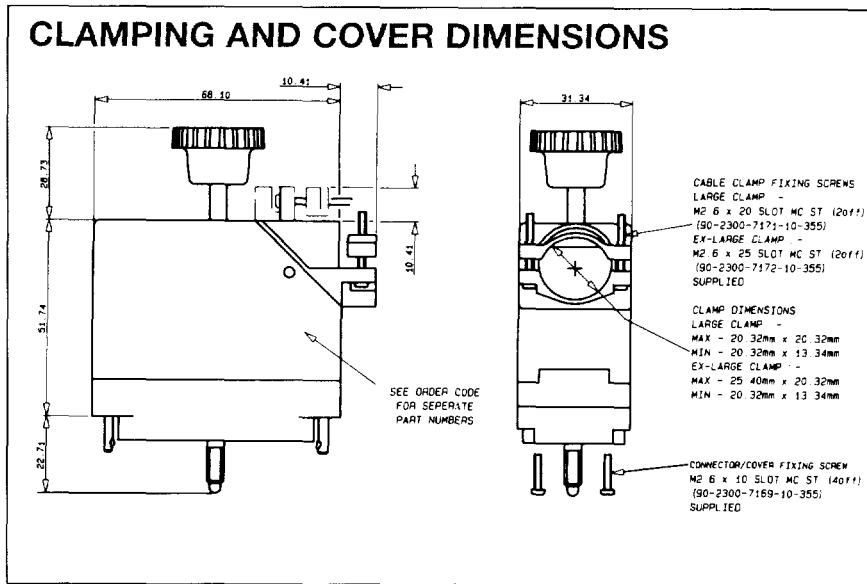
Plug	Receptacle									
	007/507/607	008/508/608	909/509/609	910/510/610	911/511/611	912/512/612	935/535/635	936/536/636	937/537/637	938/538/638
001/501/601										
002/502/602										
903/503/603										
904/504/604										
905/505/605										
906/506/606										
931/531/631										
932/532/632										
933/533/633										
934/534/634										

Select variation code combinations marked with square in the table.

VARIATION CODE

Insulator Body Type	European Version			USA ONLY Versions						Cover & Cable Entrance	Actuating Screw	Fixed Nut
	Grey Polyester			Grey Polyester			Green Polyester					
	Large Clamp	Ex-Large Clamp	Cover	Large Clamp	Ex-Large Clamp	Cover	Large Clamp	Ex-Large Clamp	Cover			
Male (Exposed Contacts)	—	—	001	—	—	501	—	—	601	None	Yes	No
	—	—	002	—	—	502	—	—	602	None	No	Yes
	903	931	—	503	531	—	603	631	—	Top	Yes	No
	904	932	—	504	532	—	604	632	—	Side	Yes	No
	905	933	—	505	533	—	605	633	—	Top	No	Yes
Female (Recessed Contacts)	—	—	007	—	—	507	—	—	607	None	No	Yes
	—	—	008	—	—	508	—	—	608	None	Yes	No
	909	935	—	509	535	—	609	635	—	Top	Yes	No
	910	936	—	510	536	—	610	636	—	Side	Yes	No
	911	937	—	511	537	—	611	637	—	Top	No	Yes

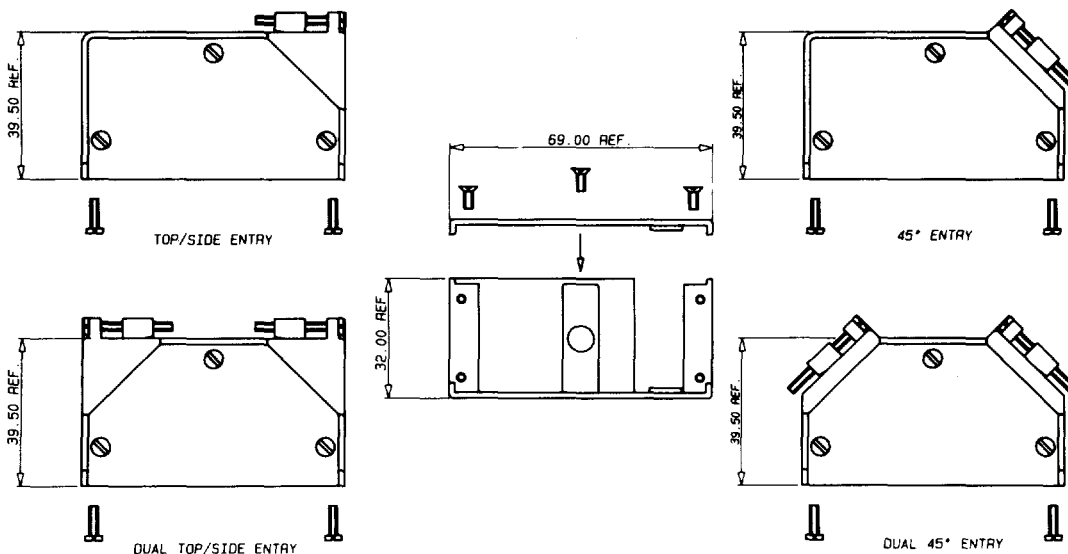
Series 8016 – Rectangular Connector – 90 Way



STANDARD COVERS

Cover Part Number		Number of Contacts	Cable Entrance	Clamp	
European Version	USA Version			Description	Size mm (inches)
30-8016-9832-20-000	30-8016-9832-00-0000	90	Side	Large	20.32 (0.800) Dia.
30-8016-9833-20-000	30-8016-9833-00-0000	90	Top	Large	20.32 (0.800) Dia.
30-8016-9843-20-000	30-8016-9843-00-0000	90	Side	Extra-Large	25.40 x 20.32 (1.00 x 0.008)
30-8016-9844-20-000	30-8016-9844-00-0000	90	Top	Extra-Large	25.40 x 20.32 (1.00 x 0.008)

OPTIONAL REMOVABLE SIDE PLATE COVER



REMOVABLE SIDE PLATE COVERS

millimeters (inches)

Cover Part Number	Number of Contacts	Cable Entrance	Clamp		
			Description	Minimum Size	Maximum Size
30-8016-090-000-413	90	Side/Top	Standard	7 x 21 (0.276)	21 x 21 (0.827 x 0.827)
30-8016-090-000-415	90	45°	Standard	7 x 21 (0.276)	21 x 21 (0.827 x 0.827)
30-8016-090-000-423	90	Dual 90° Side/Top	Special	2 - 7 x 21 (0.276)	2 - 21 x 21 (0.827 x 0.827)
30-8016-090-000-425	90	Dual 45° Entry	Special	2 - 7 x 21 (0.276)	2 - 21 x 21 (0.827 x 0.827)