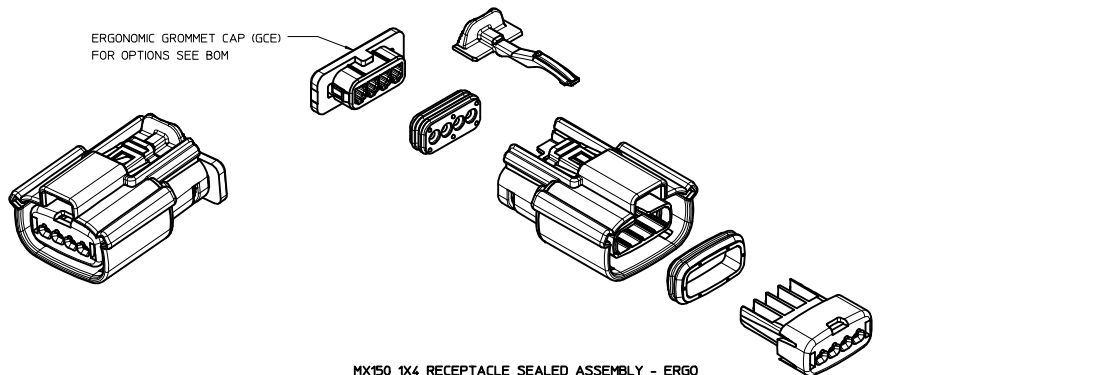
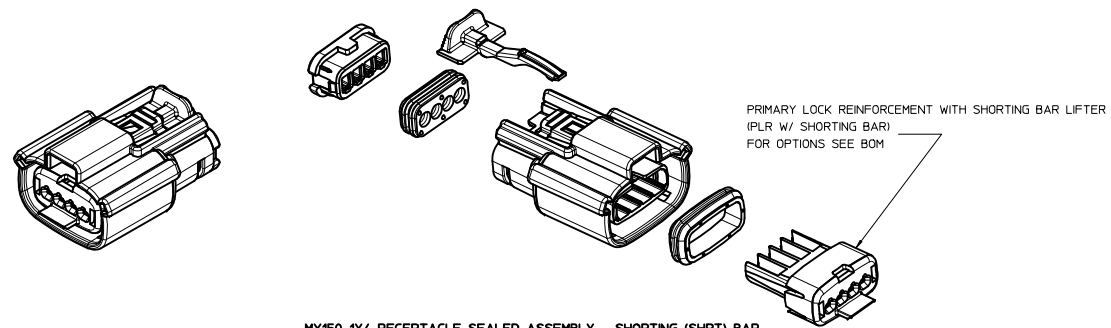


MX150 1X4 RECEPTACLE SEALED ASSEMBLY - STANDARD (STD)



MX150 1X4 RECEPTACLE SEALED ASSEMBLY - ERGO
UNLESS COMPONENT NOTED, SEE STANDARD ASSEMBLY



MX150 1X4 RECEPTACLE SEALED ASSEMBLY - SHORTING (SHRT) BAR
UNLESS COMPONENT NOTED, SEE STANDARD ASSEMBLY

TABLE OF CONTENTS	
SHEET NO.	SHEET DESCRIPTION
1	NOTES
2	KEY CONFIGURATIONS
3	RECEPTACLE SEALED ASSEMBLY
4-5	BOM

NOTES: VALID UNLESS OTHERWISE SPECIFIED

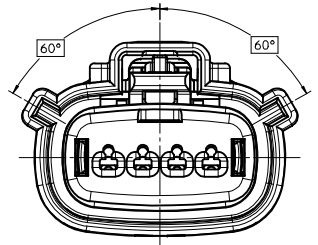
1. GENERAL:
 - a. APPLICATION SPECIFICATION SEE: AS-33472-100
 - CONTAINS: PRODUCT INTRODUCTION, PRODUCT SUMMARY, CONNECTOR ASSEMBLY, PACKAGING INFORMATION, CONNECTOR MATING, SERVICE INSTRUCTIONS, ELECTRICAL CONTINUITY CHECKING, CRIMPING, AND TROUBLESHOOTING.
 - STANDARD (NON-SHRT) CONFIGURATIONS DESIGNED TO MATE WITH DEVICE CONNECTION AS SPECIFIED IN DRAWING SD-33481-041 AND EWCAP 150-S-004-1-203, AVAILABLE AT <http://ewcap.uscarteams.org/>
 - SHORTING BAR CONFIGURATIONS DESIGNED TO MATE WITH BLADE SEALED ASSEMBLY SPECIFIED IN DRAWING SD-31280-200
 - FOR 1.5mm RECEPTACLE TERMINALS TO BE USED WITH THIS ASSEMBLY. SEE MOLEX DRAWING SD-33012-002.
 - SYSTEM TO BE USED WITH WIRE WITHIN DIAMETER RANGE OF 1.2mm TO 2.69mm.
 - ASSEMBLY SHIPPED WITH PLR AND CPA IN PRE-LOCK POSITION (SEE SECTION Z-Z PRE-LOCK).
 - IN THE EVENT THAT THE PLR IS FOUND IN THE SEATED (FINAL LOCK) POSITION, REFER TO MOLEX SPECIFICATION PS-34646-001, AVAILABLE AT www.molex.com <<http://www.molex.com>>.
 - ASSEMBLY CONFORMS TO SAE/USCAR-2 REV 4 WITH THE FOLLOWING EXCEPTIONS: ENGAGEMENT FORCE TO MOVE CPA FROM PRE-LOCK TO FINAL LOCK POSITION WHEN UNMATED: 40N MIN, 40N MAX.
 - DISENGAGEMENT FORCE TO MOVE CPA FROM FINAL LOCK TO PRE-LOCK POSITION: 3N MIN, 40N MAX.
 - TERMINAL INSERTION FORCE FOR WIRE DIAMETER ABOVE 2.5mm AND NOT EXCEEDING 2.69mm SHALL NOT EXCEED 40 NEWTONS.
 - b. PRODUCT SPECIFICATION SEE: PS-33471-000
 - CONTAINS: PRODUCT INTRODUCTION, PRODUCT SUMMARY, RATINGS (CURRENT, TEMPERATURE, SEALING, AND FLAMMABILITY), AND PRODUCT VALIDATION.
 - c. PACKAGING SPECIFICATION PER MOLEX DRAWING: PK-31300-903
 - d. PARTS MUST BE IN COMPLIANCE TO MOLEX CHEMICAL SUBSTANCES FOR PRODUCTS AND PACKAGING SPECIFICATION: ES-60000-5016
 - e. DATA MUST BE SUBMITTED UNDER THE MOLEX PART NUMBER TO IMDS (COMPANY ID#13255)
2. DESIGN - MATERIALS:
 - a. SEE BOM TABLE
3. DESIGN - GEOMETRY:
 - a. THIS IS A 100% CAD GENERATED PART. THE CAD MATHEMATICAL DATA IS THE MASTER FOR THIS PART. FOR DIMENSIONAL OR ANY INFORMATION NOT SHOWN ON THIS DRAWING, ANALYZE THE CAD MODEL.
 - b. GEOMETRIC DIMENSIONS AND TOLERANCES PER ASME Y14.5M - 1994
 - c. EDGES AND UNDIMENSIONED DETAILS PER ISO13715
 - d. CORNERS SHOWN AS SHARP TO BE R 0.2 MAX.
 - e. LETTERING SHALL BE 0.15 MAX RAISED IN 0.25 MAX RECESS PAD. THIS INCLUDES RECYCLING CODE, CAVITY ID, VENDOR IDENTIFICATION, AND CUSTOMER MATERIAL NUMBER.
 - f. VISUAL DEFECTS SHALL MEET COSMETIC STANDARD PS-45499-002 (Class B)
 - g. LASER MARKING: TBD

INSPECTION NUMBER LOG
LAST NUMBER USED: 5
ADDED: 2
REMOVED: 2

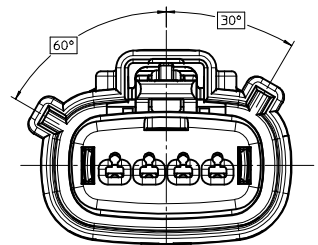
REV	DESCRIPTION
W	REMOVE THE 33471-0489 CPA
V11	RE-RELEASE TO CORRECT PRE-RELEASE STAMP ERROR
V10	CORRECT WRONG 33471-0488 AND 33471-0487
V9	ADD NEW P/N 33471-0492
V8	ADD NEW P/N 33471-0491
V7	CHANGE THE STATUS TO SELEABLE FROM TOOLED BUT NOT VALIDATED FOR DK GREY AND ST GREY
V6	ADD NEW P/N 33471-0489 33471-0490

ENTER DESCRIPTION IEC NO: UAU2015-1937 DRAWN BY: 2015/06/24 CHKD: 2015/07/12 APPR: WKOSHY	QUALITY SYMBOLS ∇=0 ∇=0 ∇=0	GENERAL TOLERANCES (UNLESS SPECIFIED) mm INCH 4 PLACES ± .--- ± .--- 3 PLACES ± .10 ± .--- 2 PLACES ± 0.10 ± .--- 1 PLACE ± 0.3 ± .--- 0 PLACE ± ±	DIMENSION STYLE MM ONLY DRAWN BY: DATE DGRIFLITHS 2010/03/31 CHECKED BY: DATE MDICK 2011/08/11 APPROVED BY: DATE WKOSHY 2010/04/06	SCALE: 2:1 DESIGN UNITS: METRIC THIRD ANGLE PROJECTION	MATERIAL NO: SEE BOM DOCUMENT NO: SD-33471-041	SHEET NO: 1 OF 6
		MX150 1X4 RECEPTACLE SEALED ASSEMBLY MAT SEAL molex				
		THIS DRAWING CONTAINS INFORMATION THAT IS PROPRIETARY TO MOLEX INCORPORATED AND SHOULD NOT BE USED WITHOUT WRITTEN PERMISSION				
		DRAFT WHERE APPLICABLE MUST REMAIN WITHIN DIMENSIONS				

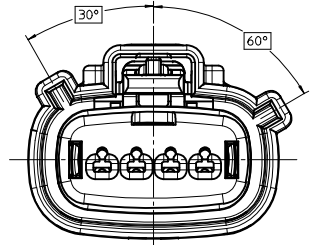
KEY CONFIGURATIONS



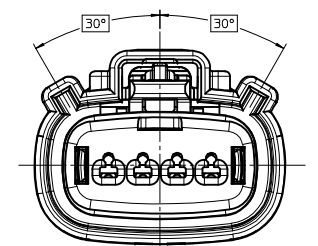
KEY A



KEY B



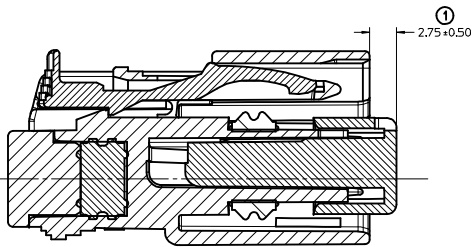
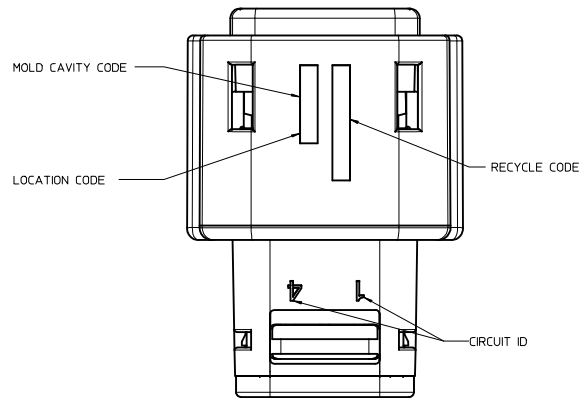
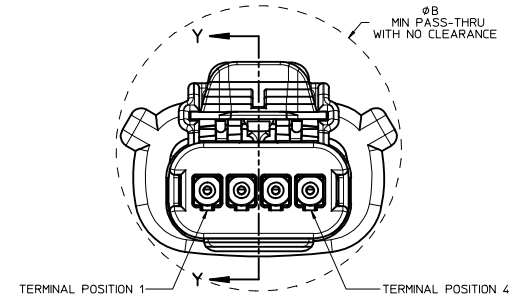
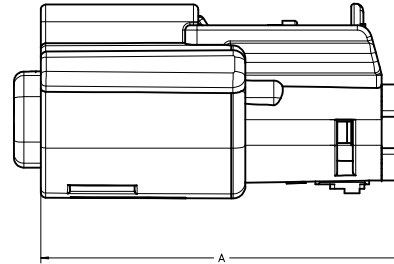
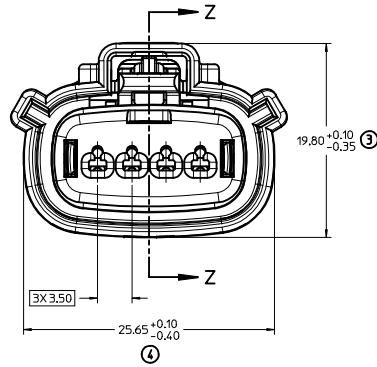
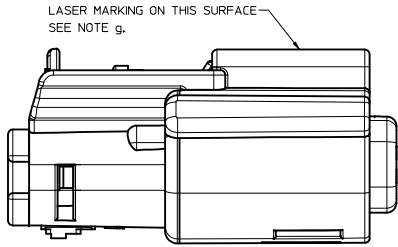
KEY C



KEY D

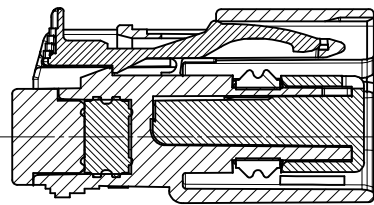
ENTER DESCRIPTION EC NO: UAU2015-1937 DRAWN BY: 2015/06/24 CHKD: W APPR: VKOSHY REV: 2015/07/22	QUALITY SYMBOLS	GENERAL TOLERANCES (UNLESS SPECIFIED)	DIMENSION STYLE	SCALE	DESIGN UNITS	THIRD ANGLE PROJECTION	
	▽=0	mm INCH	MM ONLY	4:1	METRIC		
	▽=0	4 PLACES ± .001 ± .001	DRAWN BY DATE			TITLE	
	▽=0	3 PLACES ± .005 ± .005	DGRIFITHS 2010/03/31			MX150 1X4 RECEPTACLE SEALED ASSEMBLY MAT SEAL	
		2 PLACES ± 0.10 ± .005	CHECKED BY DATE				
		1 PLACE ± 0.3 ± .005	MDICK 2011/08/11				
		0 PLACE ± ±	APPROVED BY DATE				
		ANGULAR ± .3 °	VKOSHY 2010/04/06				
		DRAFT WHERE APPLICABLE MUST REMAIN WITHIN DIMENSIONS	MATERIAL NO.		DOCUMENT NO.	SHEET NO.	
			SEE BOM		SD-33471-041	2 OF 6	
			THIS DRAWING CONTAINS INFORMATION THAT IS PROPRIETARY TO MOLEX INCORPORATED AND SHOULD NOT BE USED WITHOUT WRITTEN PERMISSION				

RECEPTACLE SEALED ASSEMBLY



PRIMARY LOCK REINFORCEMENT (PLR) SHOWN IN PRE-STAGED POSITION

SECTION Z-Z



PRIMARY LOCK REINFORCEMENT (PLR) SHOWN IN FINAL-LOCK POSITION

SECTION Y-Y

CHARTED DIMENSIONS		
CONFIGURATION	A	B
MX150 1X4 RECPT SEALED ASSY - STANDARD	36.95 ±0.70	29.14
MX150 1X4 RECPT SEALED ASSY - ERGO	36.95 ±0.90	29.33
MX150 1X4 RECPT SEALED ASSY - SHORTING (SHRT) BAR	36.95 ±0.70	29.14

ENTER DESCRIPTION EC NO: UAU2015-1937 DRAWN BY: W CHKD: W APPR: VKOSHY 2015/06/24 2015/07/22 DESCRIPTION	QUALITY SYMBOLS ∇=0 ∇=0 ∇=0	GENERAL TOLERANCES (UNLESS SPECIFIED) mm INCH 4 PLACES ± --- ± --- 3 PLACES ± 0.10 ± --- 2 PLACES ± 0.3 ± --- 1 PLACE ± ± --- 0 PLACE ± ±	DIMENSION STYLE MM ONLY DRAWN BY: DGRIFITHS DATE: 2010/03/31 CHECKED BY: MDICK DATE: 2011/08/11 APPROVED BY: VKOSHY DATE: 2010/04/06	SCALE 4:1 DESIGN UNITS METRIC THIRD ANGLE PROJECTION	TITLE MX150 1X4 RECEPTACLE SEALED ASSEMBLY MAT SEAL molex	MATERIAL NO. SEE BOM DOCUMENT NO. SD-33471-041	SHEET NO. 3 OF 6	
	DRAFT WHERE APPLICABLE MUST REMAIN WITHIN DIMENSIONS		SIZE D	THIS DRAWING CONTAINS INFORMATION THAT IS PROPRIETARY TO MOLEX INCORPORATED AND SHOULD NOT BE USED WITHOUT WRITTEN PERMISSION				

ASSEMBLY DESCRIPTION	ASSEMBLY PART NUMBER	A	B	C	D	C	D	GCO	GCP	GCEO	GCEP	P	PS	M	CPA	1	2	3	4	STATUS	COMMENTS	
KEY C W/ SHRT. BAR, DARK GRAY	33471-0480							C	GCO					PS	M					SALEABLE		
KEY D W/O MAT SEAL, STONE GRAY	33471-0479							D	GCO					P						SALEABLE		
KEY C W/O MAT SEAL, DARK GRAY	33471-0478							C	GCO					P						SALEABLE		
KEY D W/ CPA, STONE GRAY	33471-0477							D	GCP					P	M	CPA	1		4	SALEABLE		
KEY C W/ CPA, DARK GRAY	33471-0476							C	GCP					P	M	CPA	1		4	SALEABLE		
KEY D, STONE GRAY	33471-0475							D	GCP					P	M		1		4	SALEABLE		
KEY C, DARK GRAY	33471-0474							C	GCP					P	M		1		4	SALEABLE		
KEY D W/ CPA, STONE GRAY	33471-0473							D	GCP					P	M	CPA			4	SALEABLE		
KEY C W/ CPA, DARK GRAY	33471-0472							C	GCP					P	M	CPA			4	SALEABLE		
KEY D, STONE GRAY	33471-0471							D	GCP					P	M				4	SALEABLE		
KEY C, DARK GRAY	33471-0470							C	GCP					P	M				4	SALEABLE		
KEY A, BLACK	33471-0469	A							GCF					P	M		2		4	SALEABLE		
KEY B, W/ CPA, LIGHT GRAY	33471-0468		B						GCF					P	M	CPA	2					
KEY A, BLACK	33471-0467	A							GCF					P	M			3	4	SALEABLE		
KEY B, LIGHT GRAY	33471-0466		B						GCP					P	M		1	2				
KEY D W/ CPA, STONE GRAY	33471-0465							D	GCO					P	M	CPA						
KEY C W/ CPA, DARK GRAY	33471-0464							C	GCO					P	M	CPA						
KEY D, STONE GRAY	33471-0463							D	GCO					P	M							
KEY C, DARK GRAY	33471-0462							C	GCO					P	M							
KEY A W/ CPA & ERGO. CAP, BLACK	33471-0461	A								GCEO				P	M	CPA						
VOID KEY	33471-0460																					
KEY A, BLACK	33471-0459	A							GCF					P	M				3			
KEY A W/ SHRT. BAR, BLACK	33471-0458	A							GCF					PS	M		1		4	SALEABLE		
KEY D W/ SHRT. BAR, GREEN	33471-0457				D				GCF					PS	M				4	NOT RECOMMENDED	SEE P/N 33471-0488	
VOID KEY	33471-0456																					
KEY D W/ SHRT. BAR, GREEN	33471-0455				D				GCF					PS	M		1	2	3	4	NOT RECOMMENDED	SEE P/N 33471-0487
KEY C W/ SHRT. BAR, BROWN	33471-0454				C				GCF					PS	M		1	2	3	4	NOT RECOMMENDED	SEE P/N 33471-0486
KEY B W/ SHRT. BAR, LT. GRAY	33471-0453		B						GCF					PS	M		1	2	3	4		
KEY A W/ SHRT. BAR, BLACK	33471-0452	A							GCF					PS	M		1	2	3	4	SALEABLE	
KEY A W/ SHRT. BAR, BLACK	33471-0451	A							GCF					PS	M				3	4	SALEABLE	
VOID KEY	33471-0450																					
KEY D W/ CPA & SHRT. BAR, GREEN	33471-0449				D				GCO					PS	M	CPA					NOT RECOMMENDED	SEE P/N 33471-0485
KEY C W/ CPA & SHRT. BAR, BROWN	33471-0448				C				GCO					PS	M	CPA					NOT RECOMMENDED	SEE P/N 33471-0484
KEY B W/ CPA & SHRT. BAR, LT. GRAY	33471-0447		B						GCO					PS	M	CPA						
KEY A W/ CPA & SHRT. BAR, BLACK	33471-0446	A							GCO					PS	M	CPA					SALEABLE	
VOID KEY	33471-0445																					
KEY D, GREEN	33471-0444				D				GCF					P	M		1	2	3	4	NOT RECOMMENDED	SEE P/N 33471-0483
KEY C, BROWN	33471-0443				C				GCF					P	M		1	2	3	4	NOT RECOMMENDED	SEE P/N 33471-0482
KEY B, LT. GRAY	33471-0442		B						GCF					P	M		1	2	3	4		
KEY A, BLACK	33471-0441	A							GCF					P	M		1	2	3	4	SALEABLE	
																	1	2	3	4		

DESCRIPTION	COLOR	MATERIAL
BLOCKED TERMINAL		
CAVITY WITH A NUMBER INDICATES BLOCKED TERMINAL POSITION CAVITY WITHOUT A NUMBER INDICATES OPEN TERMINAL POSITION		
RING SEAL	BURNT ORANGE	INHERENTLY LUBRICATED SILICONE
CPA	BRIGHT RED	PBT GF30
MAT SEAL	LIGHT BLUE	INHERENTLY LUBRICATED SILICONE
SHORTING BAR PLR	NATURAL	SPS/NYLON GF20
STANDARD PLR	NATURAL	SPS/NYLON GF20
ERGONOMIC GROMMET CAP, PLUGGED	BLACK	SPS/NYLON GF20
ERGONOMIC GROMMET CAP, OPEN	BLACK	SPS/NYLON GF20
STANDARD GROMMET CAP, PLUGGED	BLACK	SPS/NYLON GF20
STANDARD GROMMET CAP, OPEN	BLACK	SPS/NYLON GF20
HOUSING KEYING OPTION D	STONE GRAY	SPS/NYLON GF20
HOUSING KEYING OPTION C	DARK GRAY	SPS/NYLON GF20
HOUSING KEYING OPTION C	BLACK	SPS/NYLON GF20
HOUSING KEYING OPTION D	GREEN	SPS/NYLON GF20
HOUSING KEYING OPTION C	BROWN	SPS/NYLON GF20
HOUSING KEYING OPTION B	LIGHT GRAY	SPS/NYLON GF20
HOUSING KEYING OPTION A	BLACK	SPS/NYLON GF20

ABBREVIATION	COMPONENT
A	HOUSING KEY A
B	HOUSING KEY B
C	HOUSING KEY C
D	HOUSING KEY D
GCO	GROMMET CAP, STANDARD, OPEN
GCP	GROMMET CAP, STANDARD, PLUGGED
GCEO	GROMMET CAP, ERGONOMIC, OPEN
GCEP	GROMMET CAP, ERGONOMIC, PLUGGED
M	MAT SEAL
P	PLR, STANDARD
PS	PLR, SHRT. BAR LIFTER
R	RING SEAL
CPA	CPA

ENTER DESCRIPTION EC NO: UAU2015-1937 DRAWN BY: DRANKYE CHKD: APPR:VKOSHY REV:	QUALITY SYMBOLS ▽=0 ▽=0 ▽=0	GENERAL TOLERANCES (UNLESS SPECIFIED) mm INCH 4 PLACES ± --- ± --- 3 PLACES ± 0.10 ± --- 2 PLACES ± 0.3 ± --- 1 PLACE ± ± --- 0 PLACE ± ± ---	DIMENSION STYLE MM ONLY DRAWN BY: DGRIF11THS DATE: 2010/03/31 CHECKED BY: MD1CK DATE: 2011/08/11 APPROVED BY: VKOSHY DATE: 2010/04/06	SCALE: METRIC DESIGN UNITS: METRIC THIRD ANGLE PROJECTION	TITLE: MX150 1X4 RECEPTACLE SEALED ASSEMBLY MAT SEAL molex	MATERIAL NO. SEE BOM DOCUMENT NO. SD-33471-041 SHEET NO. 5 OF 6
		DRAFT WHERE APPLICABLE MUST REMAIN WITHIN DIMENSIONS				
		THIS DRAWING CONTAINS INFORMATION THAT IS PROPRIETARY TO MOLEX INCORPORATED AND SHOULD NOT BE USED WITHOUT WRITTEN PERMISSION				

ASSEMBLY DESCRIPTION	ASSEMBLY PART NUMBER	A	B	C	D	C	D	A	GCO	GCP	GCEO	GCEP	P	PS	M	CPA	1	2	3	4	STATUS	COMMENTS			
KEY A W/ CPA & SHRT. BAR, YELLOW	33471-0492								A	GCO				PS	M	CPA					SALEABLE				
KEY A W/ CPA, YELLOW	33471-0491								A	GCO				P	M	CPA					SALEABLE				
KEY A W/ CPA, BLACK	33471-0490	A								GCP				P	M	CPA			3		SALEABLE				
KEY A - BLACK	33471-0489	A								GCP				P	M				2		SALEABLE				
KEY D W/ SHRT. BAR, STONE GRAY	33471-0488							D		GCP				PS	M						2	4	SALEABLE		
KEY D W/ SHRT. BAR, STONE GRAY	33471-0487							D		GCP				PS	M		1	2	3	4			SALEABLE		
KEY C W/ SHRT. BAR, DARK GRAY	33471-0486					C				GCP				PS	M		1	2	3	4			SALEABLE		
KEY D W/ CPA & SHRT. BAR, STONE GRAY	33471-0485							D		GCO				PS	M	CPA								SALEABLE	
KEY C W/ CPA & SHRT. BAR, DARK GRAY	33471-0484					C				GCO				PS	M	CPA								SALEABLE	
KEY D, STONE GRAY	33471-0483							D		GCP				P	M		1	2	3	4				SALEABLE	
KEY C, DARK GRAY	33471-0482					C				GCP				P	M		1	2	3	4				SALEABLE	
KEY D W/ SHRT. BAR, STONE GRAY	33471-0481							D		GCO				PS	M	CPA								SALEABLE	

DESCRIPTION	COLOR	MATERIAL
RING SEAL	BURNT ORANGE	INHERENTLY LUBRICATED SILICONE
CPA	BRIGHT RED	PBT GF30
MAT SEAL	LIGHT BLUE	INHERENTLY LUBRICATED SILICONE
SHORTING BAR PLR	NATURAL	SPS/NYLON GF20
STANDARD PLR	NATURAL	SPS/NYLON GF20
ERGONOMIC GROMMET CAP, FLUGGED	BLACK	SPS/NYLON GF20
ERGONOMIC GROMMET CAP, OPEN	BLACK	SPS/NYLON GF20
STANDARD GROMMET CAP, FLUGGED	BLACK	SPS/NYLON GF20
STANDARD GROMMET CAP, OPEN	BLACK	SPS/NYLON GF20
HOUSING KEYING OPTION A	YELLOW	SPS/NYLON GF20
HOUSING KEYING OPTION D	STONE GRAY	SPS/NYLON GF20
HOUSING KEYING OPTION C	DARK GRAY	SPS/NYLON GF20
HOUSING KEYING OPTION C	BLACK	SPS/NYLON GF20
HOUSING KEYING OPTION D	GREEN	SPS/NYLON GF20
HOUSING KEYING OPTION C	BROWN	SPS/NYLON GF20
HOUSING KEYING OPTION B	LIGHT GRAY	SPS/NYLON GF20
HOUSING KEYING OPTION A	BLACK	SPS/NYLON GF20

BOM/APPLICABLE COMPONENTS TABLE

ABREVIATION	COMPONENT
A	HOUSING KEY A
B	HOUSING KEY B
C	HOUSING KEY C
D	HOUSING KEY D
GCO	GROMMET CAP, STANDARD, OPEN
GCP	GROMMET CAP, STANDARD, PLUGGED
GCEO	GROMMET CAP, ERGONOMIC, OPEN
GCEP	GROMMET CAP, ERGONOMIC, PLUGGED
M	MAT SEAL
P	PLR, STANDARD
PS	PLR, SHRT. BAR LIFTER
R	RING SEAL
CPA	CPA

ENTER DESCRIPTION EC NO. UAU2015-1937 DRAWN BY: 2015/06/24 CHKD: 2015/07/12 APPR: VKOSHY REV:	QUALITY SYMBOLS ∇=0 ∇=0 ∇=0	GENERAL TOLERANCES (UNLESS SPECIFIED) mm INCH 4 PLACES ± --- ± --- 3 PLACES ± 0.10 ± --- 2 PLACES ± 0.3 ± --- 1 PLACE ± ± --- 0 PLACE ± ± ---	DIMENSION STYLE MM ONLY	SCALE 1:1	DESIGN UNITS METRIC	THIRD ANGLE PROJECTION
		DRAFT WHERE APPLICABLE MUST REMAIN WITHIN DIMENSIONS	DRAWN BY DATE DGRIFITHS 2010/03/31	CHECKED BY DATE MDICK 2011/08/11	APPROVED BY DATE VKOSHY 2010/04/06	MATERIAL NO. SEE BOM

MX150 1X4 RECEPTACLE SEALED ASSEMBLY MAT SEAL



THIS DRAWING CONTAINS INFORMATION THAT IS PROPRIETARY TO MOLEX INCORPORATED AND SHOULD NOT BE USED WITHOUT WRITTEN PERMISSION