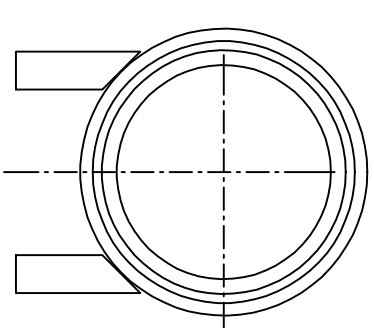


**UNCONTROLLED DOCUMENT
WILL NOT BE UPDATED**



SECTION A-A
SCALE 4-1

THESE DRAWINGS, SPECIFICATIONS OR OTHER DATA ARE AND REMAIN THE PROPERTY OF ASTRO TOOL CORP. AND MUST BE RETURNED UPON REQUEST. THEY CONTAIN INFORMATION OWNED AND/OR DEVELOPED BY ASTRO AT ITS OWN PRIVATE EXPENSE AND MAY NOT BE USED, DUPLICATED OR DISCLOSED TO OTHERS, IN WHOLE OR IN PART FOR DESIGN, MANUFACTURE OR PROCUREMENT WITHOUT THE WRITTEN PERMISSION OF ASTRO TOOL CORP. EACH AND EVERY TIME.		SCALE: N.T.S. DWN BY: DY0 DATE: 09-25-09 APPROVED:	UNLESS OTHERWISE SPECIFIED: DECIMALS: .XXX ± .005 XX ± .010 X ± .030 ANGLES: ± 1°	21615 S.W. TUALATIN VALLEY HWY., BEAVERTON OR 97006 ASTRO TOOL CORP. DESCRIPTION: ENVELOPE DRAWING: ATB0 1278 TWEEZER, INSERTION (8 GA.)	CAGE 58164
REV.	DESCRIPTION	BY	DATE	APR.	
A	NEW RELEASE	DY0	09-25-09	MMK	

NOTES: 1. THIS IS AN AUTOCAD DRAWING DO NOT CHANGE MANUALLY.

2. COLOR CODE: RED.