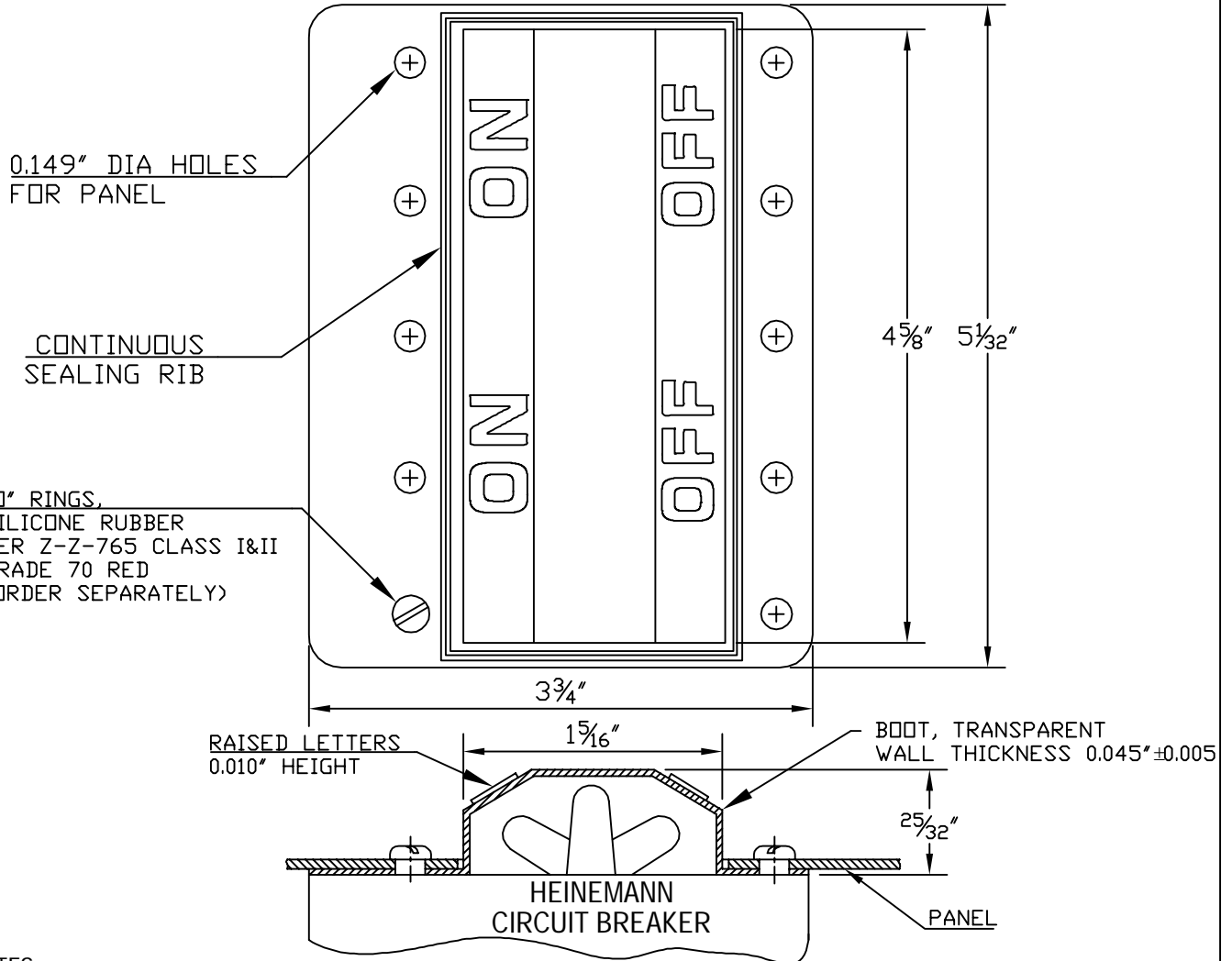


SPECIFICATIONS

Material: Boot: APM-RUBRGLAS (transparent silicone rubber) conforms to A-A-59588, Class III Grade 50.
Temperature Range: HEXSEALS: -94°F to +400°F
Pressure Range: Dust tight and splashproof.
Resistant to: Salt spray, weather, sunlight, ozone, corona and most acids.
Shelf Life: Excess of 25 years.
Operational Life: 10,000 actuations, minimum.

Notes:
 1. Mounting screws are supplied in lengths shown unless otherwise specified.
 2. New sizes and types of RUBRGLAS-SEELS® are being added regularly. Please request other types and styles as required.
Agency Recognition: Front Panel mounted Circuit Breaker Boots are UL-listed to UL Std. 50, types 1, 2, 3, 12, 12K, and 13. Back-of-Panel mounted Circuit Breaker boots are UL-listed to UL Std. 50, type 1. Also meet CSA standards.



NOTES:
 TO BE MOUNTED IN BACK OF PANEL & TO BE USED WITH COMBINATION OF ONE HEINEMANN CIRCUIT BREAKER 3XAM1616 & ONE 2XAM1616
 ASSEMBLY CONSISTS OF 1 BOOT, MAT'L APM RUBRGLAS®, ORDER SEPARATELY, 10#6-32 APM SEELSKREWS® LENGTH=3/8.
 UNLESS OTHERWISE NOTED TOLERANCES ARE ± 1/32

G	REDRAWN, RUBBER MAT'L CHANGED, WALL THICKNESS TOL. 0.010 CHANGED TO 0.005, ADDED HOLE DIM. and "O" RING SPEC., DELETED MILITARY SPEC. and DELETED TO SEELSKREW INFORMATION	S. GOK	10.05.09	
F	CAD COMPUTER GENERATED		01.03.03	
E	REDESIGNED, REDRAWN	T.CARBONE	11.09.68	
REV.	DESCRIPTION		DATE	
MAXIMUM AND MINIMUM MEASUREMENTS ARE STATED DIRECTLY ON EACH DIMENSION.	TITLE CIRCUIT BREAKER BOOT, CIRCUIT BREAKER TOGGLE, WIDE ANGLE	ENG.	M. MORSE	09.08.59
		DWN.	S. ANDREWS	09.08.59
		CHKD.	J. CELLA	10.05.09
MAT'L: APM RUBRGLASS® CONFORMS TO A-A-59588, CL III	APM-HEXSEAL CORPORATION	SCALE	HE-1078	DWG. NO.
FINISH: GRADE 50 TRANSPARENT		3/4 : 1		

THIS DRAWING COVERS PROPRIETARY ITEM AND IS THE PROPERTY OF THE APM-HEXSEAL CORPORATION.
 THIS DRAWING IS NOT TO BE COPIED OR USED WITHOUT THE WRITTEN APPROVAL OF AN OFFICER OF THE APM-HEXSEAL CORPORATION.

Mouser Electronics

Authorized Distributor

Click to View Pricing, Inventory, Delivery & Lifecycle Information:

[APM HEXSEAL:](#)

[HE1078](#)