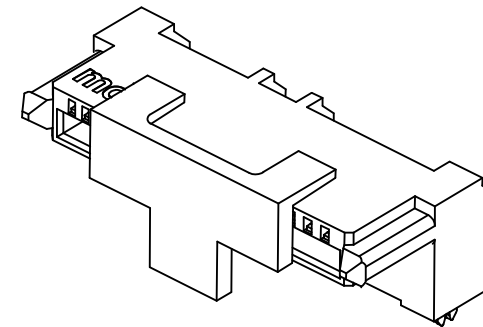
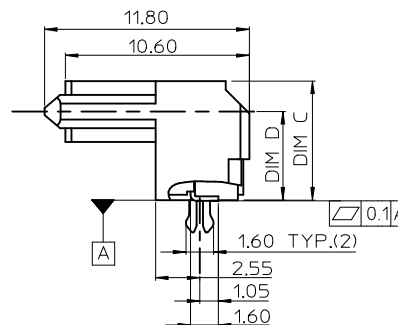
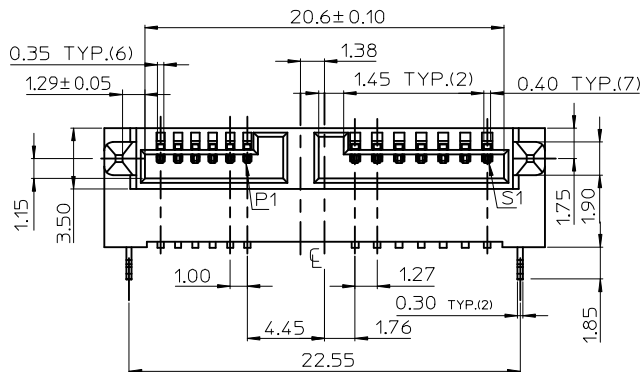


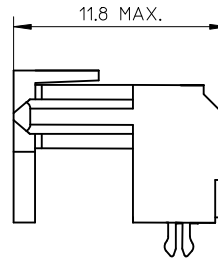
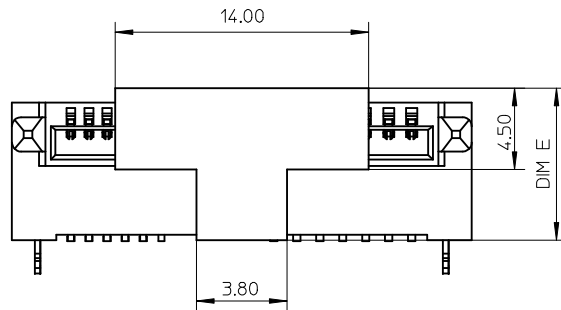
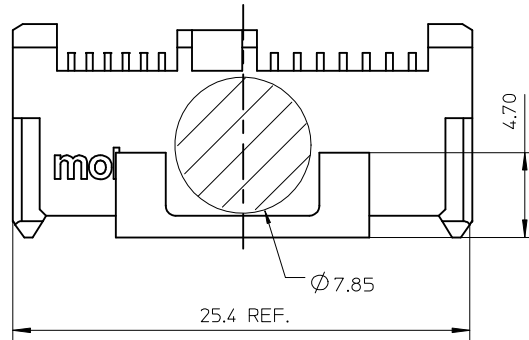
CLIP FUNCTION AVAIABLE		CLIP FUNCTION UNAVAILABLE	
DIM A	DIM B	DIM A	DIM B
1.40	2.10	1.75	2.45

RECOMMENDED PC BOARD LAYOUT
TOLERANCE: ± 0.05 mm(TOP VIEW)



RELEASE	EC NO: SH2009-0357	DRW: F YANG05	CHK: D J M ZHANG02	APPR: H WANG	DESCRIPTION	QUALITY SYMBOLS		GENERAL TOLERANCES (UNLESS SPECIFIED)		DIMENSION STYLE		SCALE	DESIGN UNITS	THIRD ANGLE PROJECTION
						mm	INCH	MM ONLY	SCALE	METRIC	PROJECTION			
						4 PLACES	\pm ---	\pm ---	DRAWN BY	DATE	TITLE			
						3 PLACES	± 0.10	\pm ---	LINDA	2008/7/25	SLIMLINE SATA RECEPTACLE REVERSE SMT TYPE WITH CLIP			
						2 PLACES	± 0.15	\pm ---	CHECKED BY	DATE				
						1 PLACE	± 0.25	\pm ---	DMZHANG02	2008/7/31				
						ANGULAR $\pm 3^\circ$			APPROVED BY	DATE				
						DRAFT WHERE APPLICABLE MUST REMAIN WITHIN DIMENSIONS			HWWANG	2008/7/31				
						SEE TABLE			MATERIAL NO.					
						SIZE A3			THIS DRAWING CONTAINS INFORMATION THAT IS PROPRIETARY TO MOLEX INCORPORATED AND SHOULD NOT BE USED WITHOUT WRITTEN PERMISSION					
						MOLEX INCORPORATED			DOCUMENT NO.					
						SD-48336-001			SHEET NO.					
						1 OF 2								

P/N	PLATING OPTIONS	DIM C	DIM D	DIM E	WITHSTANDING MFG TEST
48336-1001	GOLD FLASH	7.10	5.35	7.90	NO
48336-1002	15 MICROINCH				NO
48336-1003	30 MICROINCH				YES
48336-2001	GOLD FLASH	7.60	5.85	8.40	NO
48336-2002	15 MICROINCH				NO
48336-2003	30 MICROINCH				YES



- NOTES:
- MATERIAL:
HOUSING & CAP: LIQUID CRYSTAL POLYMER, GLASS FIBER FILLED, UL94V-0, COLOR: BLACK.
TERMINAL: COPPER ALLOY.
CLIP: COPPER ALLOY.
 - PLATING:
TERMINAL:
CONTACT AREA: SEE TABLE
SOLDER TAIL: MATTE TIN, THICKNESS=100 MICROINCH MIN/2.54 MICROMETER MIN.
UNDER PLATE: NICKEL (Ni), THICKNESS=50 MICROINCH MIN/1.27 MICROMETER MIN.
CLIP: TIN(Sn), THICKNESS=100 MICROINCH MIN/2.54 MICROMETER MIN.
 - PICK & PLACE VACUUM AREA.
 - RECOMMENDED PCB THICKNESS: 1.20 ± 0.05mm
 - PRODUCT SPECIFICATION REFER TO PS-48321-001
 - TEST SUMMARY:
48336-1003 REFER TO TS-48336-103
48336-2003 REFER TO TS-48336-203
 - PACKAGING SPECIFICATION REFER TO PK-48336-001
 - LEAD FREE & RoHS COMPLIANT PRODUCT.

RELEASE EC NO: SH2009-0357 DRW: NYANG05 CHKD: NYANG05 APPR: HWANG	2008/12/12 2008/12/12 2008/12/16	DESCRIPTION REV	QUALITY SYMBOLS	GENERAL TOLERANCES (UNLESS SPECIFIED)	DIMENSION STYLE	SCALE	DESIGN UNITS	THIRD ANGLE PROJECTION
			$\nabla=0$ $\sphericalangle=0$	mm INCH 4 PLACES ± --- ± --- 3 PLACES ± 0.10 ± --- 2 PLACES ± 0.15 ± --- 1 PLACE ± 0.25 ± --- ANGULAR ± 3°	MM ONLY	1:1	METRIC	
				DRAWN BY: LINDA DATE: 2008/7/25 CHECKED BY: DMZHANG02 DATE: 2008/7/31 APPROVED BY: HWANG DATE: 2008/7/31	TITLE: SLIMLINE SATA RECEPTACLE REVERSE SMT TYPE WITH CLIP			
			MATERIAL NO. SEE TABLE	MOLEX INCORPORATED DOCUMENT NO. SD-48336-001	SHEET NO. 2 OF 2			