

28–36 GHz GaAs MMIC Low Noise Amplifier



AA035N1-00, AA035N2-00

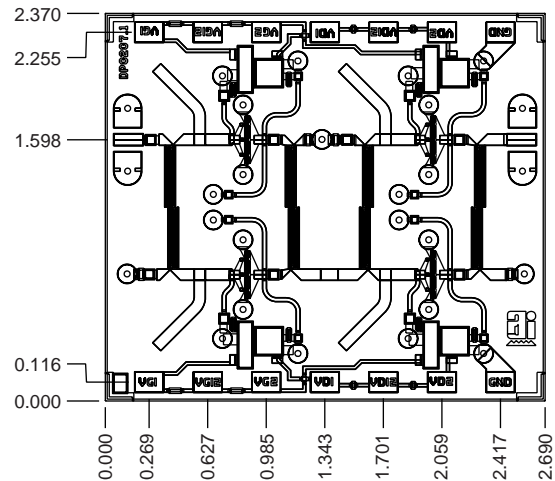
Features

- Dual Bias Supply Operation (4.5 V)
- 2.8 dB Typical Noise Figure at 32 GHz
- 12 dB Typical Small Signal Gain
- 0.25 μm Ti/Pd/Au Gates
- 100% On-Wafer RF, DC and Noise Figure Testing
- 100% Visual Inspection to MIL-STD-883 MT 2010

Description

Alpha's two-stage balanced 28–36 GHz MMIC low noise amplifier has typical small signal gain of 12 dB with a typical noise figure of 2.6 dB at 32 GHz. The chip uses Alpha's proven 0.25 μm low noise PHEMT technology, and is based upon MBE layers and electron beam lithography for the highest uniformity and repeatability. The FETs employ surface passivation to ensure a rugged, reliable part with through-substrate via holes and gold-based backside metallization to facilitate a conductive epoxy die attach process.

Chip Outline



Dimensions indicated in mm.
All DC (V) pads are 0.1 x 0.1 mm and RF In, Out pads are 0.07 mm wide.
Chip thickness = 0.1 mm.

AA035N1-00 Electrical Specifications at 25°C ($V_{DS} = 4.5\text{ V}$, $I_D = 70\text{ mA}$)

Parameter	Condition	Symbol	Min.	Typ. ³	Max.	Unit
Drain Current		I_{DS}		70	90	mA
Small Signal Gain	F = 28–36 GHz	G	10	12		dB
Noise Figure	F = 32 GHz	NF		2.8	3.2	dB
Input Return Loss	F = 28–36 GHz	RL_I		-17	-12	dB
Output Return Loss	F = 28–36 GHz	RL_O		-20	-12	dB
Output Power at 1 dB Gain Compression ¹	F = 35 GHz	P_1 dB		10		dBm
Thermal Resistance ²		θ_{JC}		50		°C/W

AA035N2-00 Electrical Specifications at 25°C ($V_{DS} = 4.5\text{ V}$, $I_D = 70\text{ mA}$)

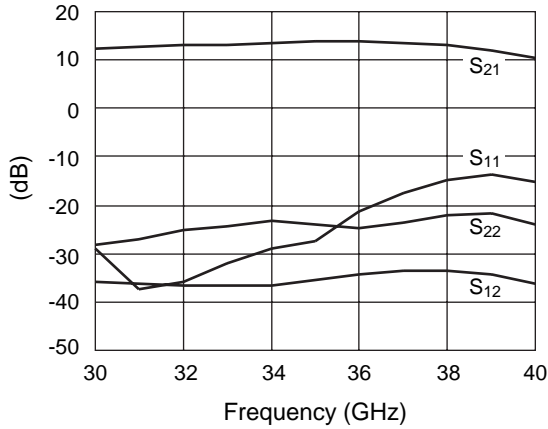
Parameter	Condition	Symbol	Min.	Typ. ³	Max.	Unit
Drain Current		I_{DS}		70	90	mA
Small Signal Gain	F = 28–36 GHz	G	9	12		dB
Noise Figure	F = 32 GHz	NF		3.0	3.8	dB
Input Return Loss	F = 28–36 GHz	RL_I		-17	-12	dB
Output Return Loss	F = 28–36 GHz	RL_O		-20	-12	dB
Output Power at 1 dB Gain Compression ¹	F = 35 GHz	P_1 dB		10		dBm
Thermal Resistance ²		θ_{JC}		50		°C/W

1. Not measured on a 100% basis.

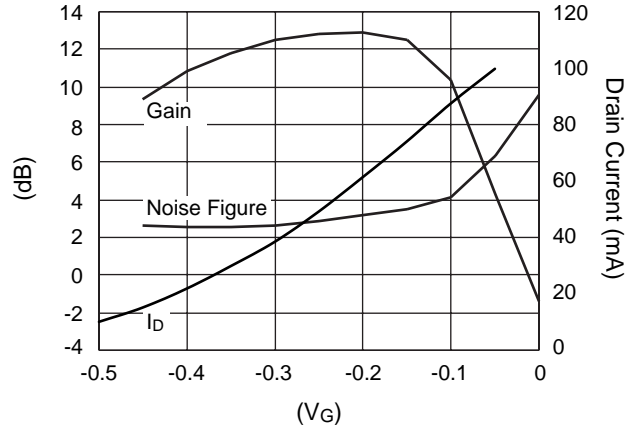
2. Calculated value based on measurement of discrete FET.

3. Typical represents the median parameter value across the specified frequency range for the median chip.

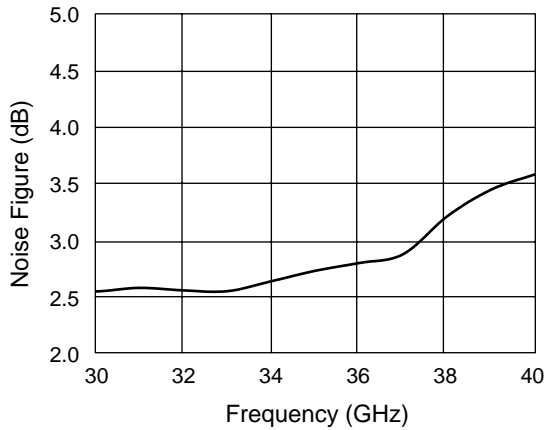
Typical Performance Data



Typical Small Signal Performance S-Parameters ($V_D = 4.5\text{ V}$)



Typical 35 GHz Noise Figure and Gain as a Function of Gate Voltage (V_G)

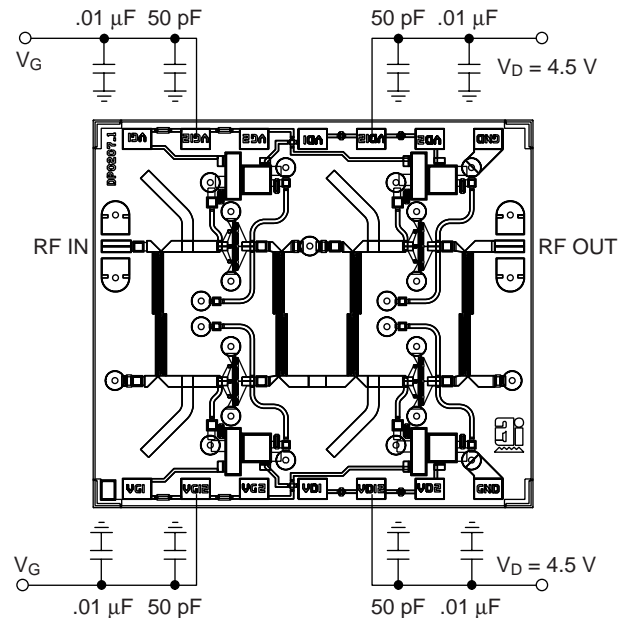


Typical Noise Figure Performance vs. Frequency

Absolute Maximum Ratings

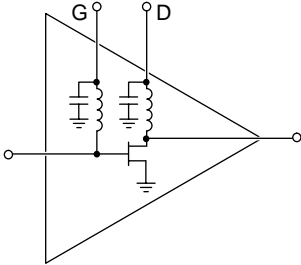
Characteristic	Value
Operating Temperature (T_C)	-55°C to +90°C
Storage Temperature (T_{ST})	-65°C to +150°C
Bias Voltage (V_D)	5.5 V_{DC}
Power In (P_{IN})	16 dBm
Junction Temperature (T_J)	175°C

Bias Arrangement



For biasing on, adjust V_G from zero to the desired value (-0.3 V typically is optimum). Then adjust V_D from zero to the desired value (4.5 V recommended). For biasing off, reverse the biasing on procedure.

Circuit Schematic



Detail A

