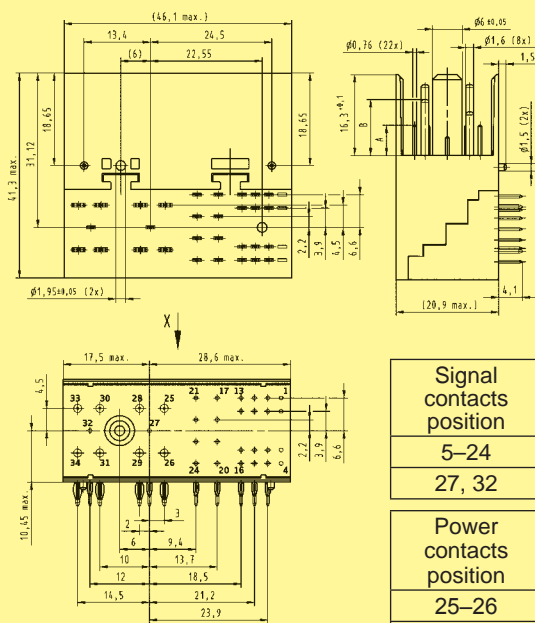
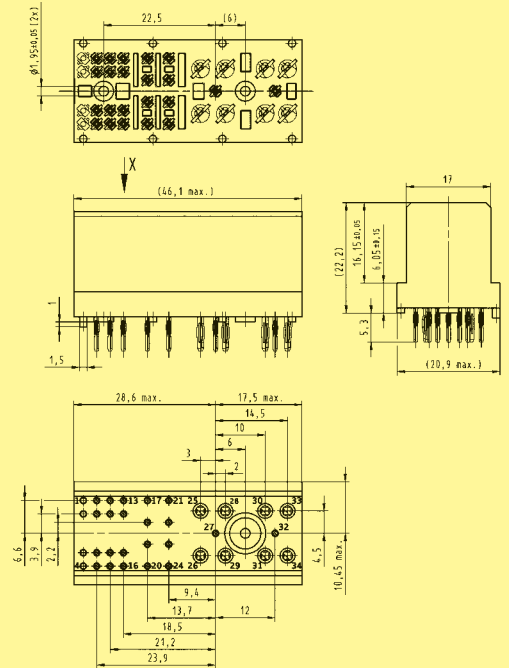


Identification	No. of contacts	Contact length [mm]		Part number
			termination side	
Power connector for AdvancedTCA®, male	30	4.1		16 32 030 1101 000
	34	4.1		16 32 034 1101 000
Power connector for AdvancedTCA®, female	30	5.3		16 31 030 1201 000
	34	5.3		16 31 034 1201 000

Male connector with 30 contacts

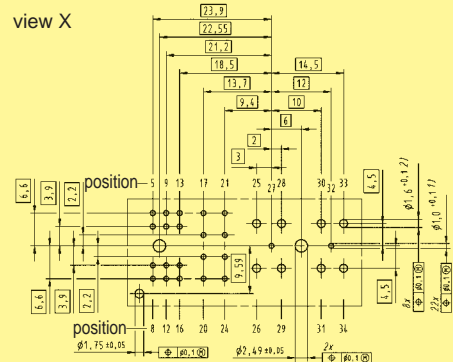
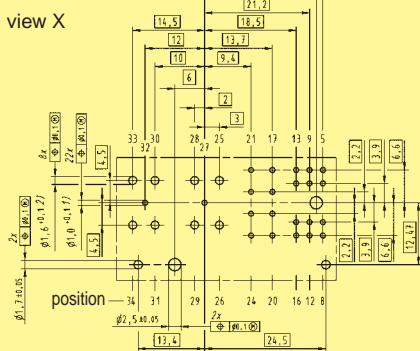


Female connector with 30 contacts



Signal contacts position	Dimension A
5–24	6.1
27, 32	3.8
Power contacts position	Dimension B
25–26	14.3
28–31	14.3
33	11.3
34	8.8

Board drillings



1) + 2) recommended plated through hole specification see page 10

Dimensions [mm]