



ETA-USA

High Quality Switching Power Supplies

600W

85-264VAC



Power - Factor Correction

FHG-SX-U1

SERIES

Output Table

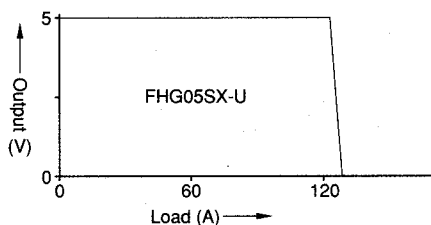
FHG-SX-U (85~264V)

130X200X93 (mm)

MODEL	OUTPUT		EFFICIENCY
	VOLTAGE	CURRENT	
FHG 3.3SX-U	3.3V	120A	70%
FHG 05SX-U	5V	120A	75%
FHG 06SX-U	6V	100A	81%
FHG 12SX-U	12V	53A	81%
FHG 15SX-U	15V	42A	81%
FHG 24SX-U	24V	27A	83%
FHG 30SX-U	30V	21.6A	84%
FHG 36SX-U	36V	18A	83%
FHG 48SX-U	48V	13.5A	84%

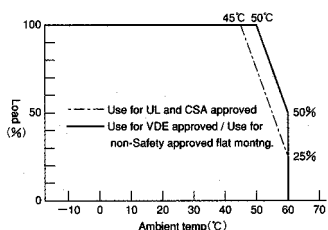


Load & Output W.



FHG-Series is a new generation of powersupplies. Its the latest design following the international standard and market demands. This type of powersupply has all in one : Power factor correction, low line distortion according to EN 60555-2, electro magnetic interference (EMI) complies with EN 55022/B, FCC level B. Safety complies with EN 60950-1 , UL 1950, CSA 234. High efficiency and power factor correction is an optimal combination of good costparformance for both, end-users and power production companies.

Output Derating



Special Features

1. Power factor 115VAC=0.99 230VAC=0.97
2. Harmonics : EN 60555-2 IEC1000-3-2
3. EMI: complies to EN 55022/13, FCC/B
4. Safety: UL1950, C-UL(CSA950), EN60950-1, VDE0805, IEC950 approved CE marked to the low voltage directive

Applications

Process control, Office-Equipment, Computer Peripherals, Telecommunication, Industrial Electronics and Machines, Household Equipment.

All specifications and data subject to change without notice

FHG-SX-U SPECIFICATION

GENERAL SPECIFICATION

Power factor correction	:Active filter circuit with boost converter
Over-current protection	:Constant current limiting
Over-voltage protection	:Output shutdown
Remote control	:Possible
Remote sensing	:Possible
Switching frequency	:130KHz Fixed
Withstand voltage	:(Input-Output) :AC3000V(1Minute) :(Input-Chassis) :AC2500V (1Minute) :(Output-Chassis):AC 500V (1Minute)
Insulation resistance	:(Input-Output-Chassis):50M MIN.
Leakage current	:AC 115VAC, 50Hz, 25°C 0.28mA AC 230VAC, 50Hz, 25°C 0.58mA
Weight	:2.6Kg

ENVIRONMENT

Operating temperature	:-5 ~+50° C (See output derating curve)
Storage temperature	:-20~+85°C
Humidity	:85%
Vibration	:(5~10Hz) Amplitude (peak to peak) 10mm(constant) :(10~55Hz) Acceleration 2G (constant) X, Y, Z
Shock	:30G

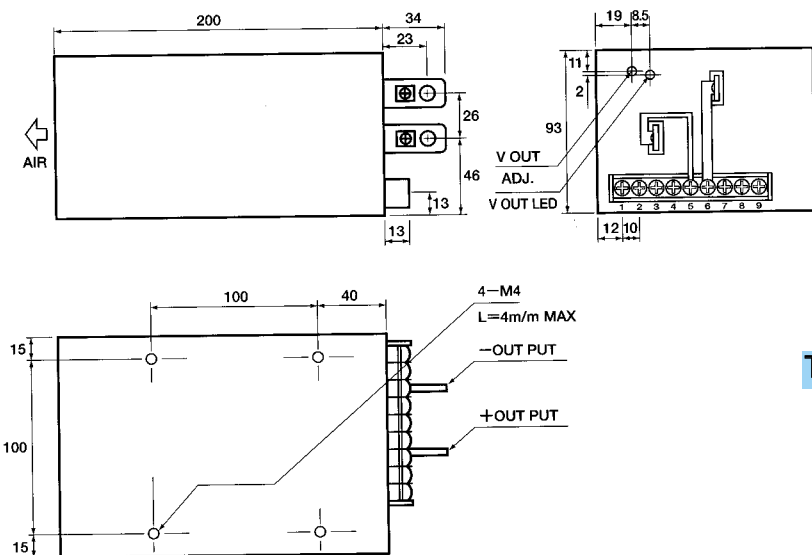
INPUT

Voltage nominal	:115VAC~230VAC
Voltage range	:85~264VAC
Power factor & harmonic correction range	:85~255VAC
Frequency	:50/60Hz
Current on full road	:7.5 / 4A(Input 115V/AC230VAC)
Inrush current	:17A MAX.(Input 115VAC), 33A MAX. (Input 230VAC)
Phase	:Single

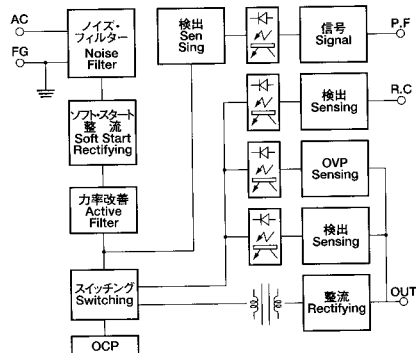
OUTPUT

Adjustable voltage	:± 10%, typical
Ripple & noise	:(Output V x 1%) + 100mVp-p MAX.
Input regulation	:0.5%MAX
Load regulation	:1.0%MAX
Temperature coefficient	:0.03% / °C
Drift / Time effect	:(Output V X 0.5%)+15mV/8H (After 1 H)
Rise up time	:500mS typ. @ 115 VAC in / 200mS typ. @230 VAC in
Hold-up time	:20mS MIN (at 25°C, Rated-Input-Output)

Dimension (mm)



Block Diagram



Terminal Connection

No.	機能
1	Remote Control
2	Remote Control Ground
3	Parallel
4	Power Fail
5	-Remote Sensing Ground
6	+Remote Sensing
7	Frame Ground
8	AC-Live
9	AC-Neutral

ETA-USA

16315 Vineyard Blvd. Morgan Hill, CA 95037
Phone: 1-800-ETA-POWER, (408) 778-2793 Fax: (408) 779-2753

Visit Us On The Web at: <http://www.eta-usa.com/>
Or Email at: sales@eta-usa.com

Mouser Electronics

Authorized Distributor

Click to View Pricing, Inventory, Delivery & Lifecycle Information:

[ETA-USA:](#)

[FHG30SX-U](#) [FHG05SX-U](#) [FHG06SX-U](#) [FHG12SX-U](#) [FHG3.3SX-U](#) [FHG24SX-U](#) [FHG36SX-U](#) [FHG48SX-U](#)
[FHG15SX](#)