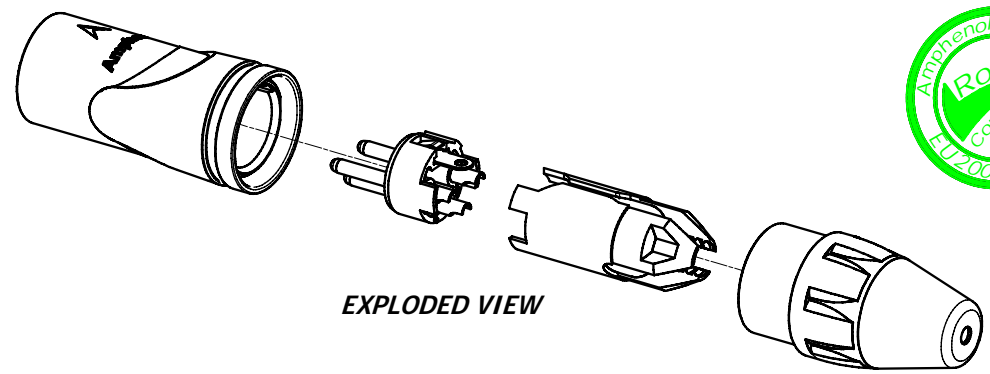
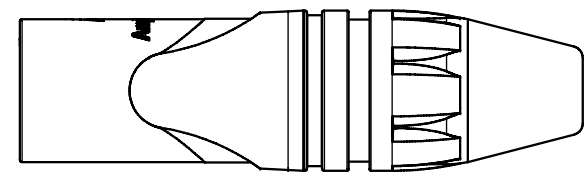
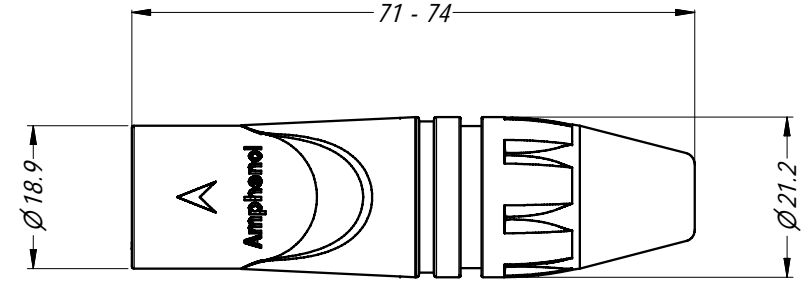
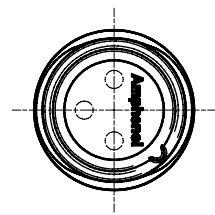


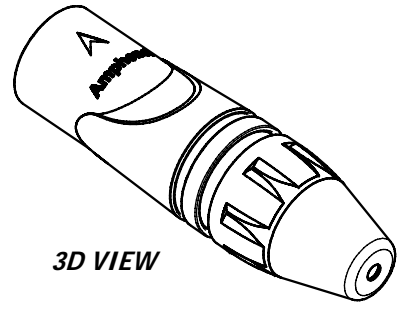
PART NUMBER BREAKDOWN

AX3MB1-AU BULK

<p>SERIES PREFIX AX3M = 3 PIN MALE AX4M = 4 PIN MALE AX5M = 5 PIN MALE</p>
<p>SHELL FINISH BLANK = NICKEL PLATED B = BLACK</p>
<p>SLEEVE COLOR BLANK = BLACK 1 = BROWN 2 = RED 3 = ORANGE 4 = YELLOW 5 = GREEN 6 = BLUE 7 = VIOLET 8 = GREY 9 = WHITE C = CLEAR</p>
<p>CONTACT PLATING BLANK = SILVER PLATE AU = GOLD PLATE</p>
<p>PACKAGING BLANK = INDIVIDUAL BAGS BULK = BULK PACKED</p>



EXPLODED VIEW



3D VIEW

UNLESS OTHERWISE SPECIFIED TOLERANCE TO BE: LINEAR ANGULAR X ± 0.5 X" ± 1 X.X ± 0.1 X.X" ± 30° X.XX ± 0.05 X.XX" ± 15°		THIS DOCUMENT IS THE PROPERTY OF AMPHENOL AUSTRALIA PTY. LTD. NO PART THEREOF MAY BE REPRODUCED AND USED WITHOUT THE PRIOR WRITTEN CONSENT OF THE OWNER				Amphenol Amphenol Australia Pty.Ltd, 2 Fiveways Blvd, Keysborough, VIC 3173			
BREAK ALL SHARP EDGES AND REMOVE ALL BURRS		MATERIAL: SEE COMPONENTS		DRN: T.N	DATE: 24/06/08	TITLE: XLR MALE PLUG AX SERIES CUSTOMER DRAWING		PART No: SEE P/No BREAKDOWN	
DO NOT SCALE		FINISH:		CKD: P.M	DATE: 22/12/08	DRAWING NO.		SHEET	
DIMENSIONS IN MILLIMETRES		THIRD ANGLE PROJECTION		SCALE: 1:1	SIZE: A4	CAD FILE: 55010534000210		55010534-000-2 2/2	

Mouser Electronics

Authorized Distributor

Click to View Pricing, Inventory, Delivery & Lifecycle Information:

[Amphenol:](#)

[AX3M BULK](#) [AX3M-AU BULK](#) [AX3MB BULK](#) [AX3MB-AU](#) [AX3MB-AU BULK](#)