

PRODUCT DATA DRAWING

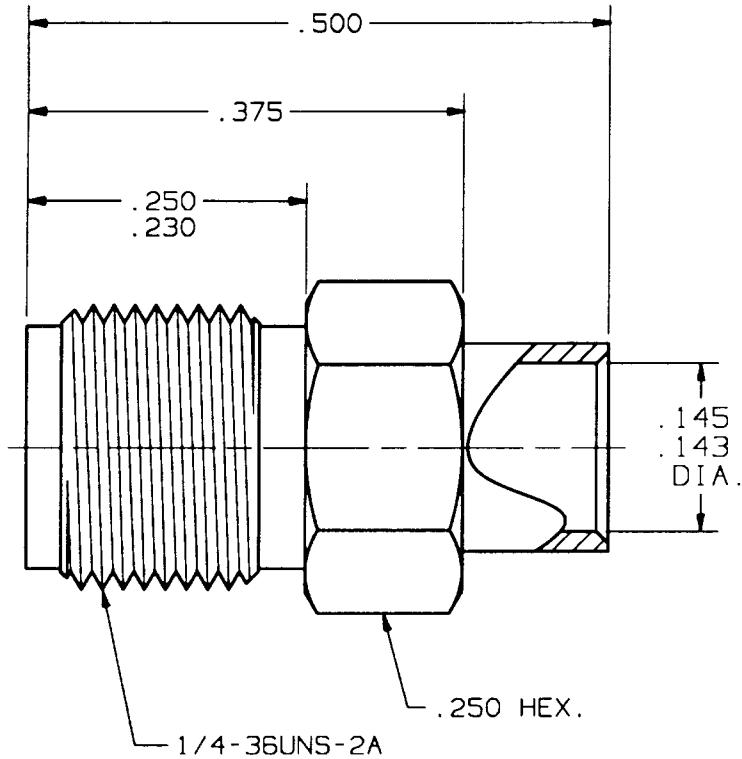
CAD
GENERATED
DRAWING

DCN
CONTROLLED
DOCUMENT

DWG. NO.

2922-6007

ENG. FILE COPY



MATERIAL:

BODY: STAINLESS STEEL PER AMS-5640, UNS S30300, TYPE 1.
 CONTACT: BERYLLIUM COPPER PER ASTM-B-196, ALLOY C17300, COND. TD04.
 INSULATOR: TEFLON PER ASTM-D-1457.

FINISH:

BODY: GOLD PER MIL-G-45204, TYPE I, GRADE C, CLASS 0; OVER NICKEL PER QQ-N-290, CLASS 2.
 CONTACT: GOLD PER MIL-G-45204, TYPE I, GRADE C, CLASS 1; OVER NICKEL PER QQ-N-290, CLASS 1.

IMPEDANCE: 50 OHMS
 FREQ. RANGE: DC-18.0 GHz
 D.W.V.: 1500 VRMS
 INSUL. RES.: 5000 MEGOHMS MIN.
 V.S.W.R.: 1.05 + .010

SYM.	DESCRIPTION	DATE	APPR.	UNLESS OTHERWISE SPECIFIED:
C	REV.DCN F8219	4/81	ND	1) ALL DIMENSIONS ARE AFTER PLATING. 2) BREAK CORNERS & EDGES .005 R. MAX. 3) CHAM. 1st & LAST THDS. 4) SURFACE ROUGHNESS 63 / MIL-STD-10. 5) DIAS. ON COMMON CENTERS TO BE CONCENTRIC WITHIN .005 T.I.R. 6) REMOVE ALL BURRS.
D	REV.DCN 23357	4/97		
				REDRAWN: BRT 4/04/97
				CHECKED: ND 4/10/81
				APPROVED: DGG 4/10/81

DIMENSIONS ARE IN INCHES		
DECIMALS	FRACTIONAL	ANGULAR
.X ±.030		X° ±1°0'
.XX ±.015	±1/64	X°X' ±15'
.XXX ±.005		
MATERIAL: SEE ABOVE		
FINISH: SEE ABOVE		AREA: N/A
SIZE	CAGE NO.	SCALE
A	95077	6X

Solltron Vector Microwave	
3301 ELECTRONICS WAY WEST PALM BEACH, FL. 33407	
TITLE: SMA JACK SOLDER-ON FOR .141 S.R.	
DWG. NO.	2922-6007