

## General Description

The AAT3110 ChargePump™ is a MicroPower switched-capacitor voltage converter that delivers a regulated output. No external inductor is required for operation. Using three small capacitors, the AAT3110 can deliver up to 150mA to the voltage regulated output. The AAT3110 features very low quiescent current and high efficiency over a large portion of its load range making this device ideal for battery-powered applications. Furthermore, the combination of few external components and small package size keeps the total converter board area to a minimum in space restricted applications. The AAT3110 operates in an output-regulated voltage doubling mode. The regulator uses a pulse-skipping technique to provide a regulated output from a varying input supply. The AAT3110 contains a thermal management circuit to protect the device under continuous output short circuit conditions.

The AAT3110 is available in a surface mount 6-pin SOT23 or 8-pin SC70JW package and is rated from -40 to 85°C.

The AAT3110 ChargePump™ is a member of AnalogicTech's Total Power Management IC product family.

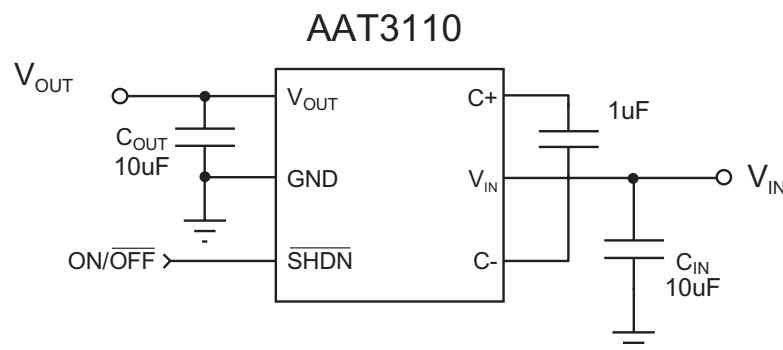
## Features

- Step-up type voltage converter
- Input Range
  - AAT3110-5: 2.7V to 5V
  - AAT3110-3.3: 2.3V to 3.3V
- MicroPower consumption: 13µA
- 5V, 3.3V Regulated  $\pm 4\%$  output
- 5V Output Current
  - 100mA with  $V_{IN} \geq 3.0V$
  - 50mA with  $V_{IN} \geq 2.7V$
- 3.3V Output Current
  - 150mA with  $V_{IN} \geq 2.7V$
  - 100mA with  $V_{IN} \geq 2.3V$
- High Frequency 750 kHz operation
- Shutdown mode draws less than 1µA
- Short-circuit/over-temperature protection
- 2kV ESD Rating
- SC70JW-8 or SOT23-6 package

## Applications

- Cellular Phones
- Portable Communication Devices
- Handheld Electronics
- Digital Cameras
- PDAs
- Battery Back Up Supplies
- LED/Display Back Light Driver

## Typical Operating Circuits



### Pin Descriptions

Pin #		Symbol	Function
SOT-23-6	SC70JW-8		
1	1	$V_{OUT}$	Regulated output pin. Bypass this pin to ground with at least 6.8 $\mu$ F low ESR capacitor
2	2, 3, 4	GND	Ground connection
3	5	$\overline{\text{SHDN}}$	Shutdown input. Active low signal disables the converter.
4	6	C-	Flying capacitor negative terminal
5	7	$V_{IN}$	Input supply pin. Bypass this pin to ground with at least 6.8 $\mu$ F low ESR capacitor
6	8	C+	Flying capacitor positive terminal

### Pin Configuration



### Absolute Maximum Ratings ( $T_A=25^\circ\text{C}$ unless otherwise noted)

Symbol	Description	Value	Units
$V_{IN}$	$V_{IN}$ to GND	-0.3 to 6	V
$V_{OUT}$	$V_{OUT}$ to GND	-0.3 to 6	V
$V_{SHDN}$	SHDN to GND	-0.3 to 6	V
$t_{SC}$	Output to GND Short-Circuit Duration	Indefinite	s
$T_J$	Operating Junction Temperature Range	-40 to 150	$^\circ\text{C}$
$T_{LEAD}$	Maximum Soldering Temperature (at leads, 10 sec)	300	$^\circ\text{C}$
$V_{ESD}$	ESD Rating <sup>1</sup> — HBM	2000	V

Stresses above those listed in Absolute Maximum Ratings may cause permanent damage to the device. Functional operation at conditions other than the operating conditions specified is not implied. Only one Absolute Maximum rating should be applied at any one time.

Note 1: Human body model is a 100pF capacitor discharged through a 1.5k $\Omega$  resistor into each pin.

### Thermal Information

Symbol	Description	Rating	Units
$\Theta_{JA}$	Maximum Thermal Resistance (SOT23-6 or SC70JW-8)	150	$^\circ\text{C}/\text{W}$
$P_D$	Maximum Power Dissipation (SOT23-6 or SC70JW-8)	667	mW

Note 2: Mounted on an FR4 board.

### Electrical Characteristics ( $T_A = -40$ to $85^\circ\text{C}$ unless otherwise noted. Typical values are at $T_A=25^\circ\text{C}$ , $C_{FLY}=1\mu\text{F}$ , $C_{IN}=10\mu\text{F}$ , $C_{OUT}=10\mu\text{F}$ )

AAT3110-5						
Symbol	Description	Conditions	Min	Typ	Max	Units
$V_{IN}$	Input Voltage	$V_{OUT}=5.0\text{V}$	2.7		$V_{OUT}$	V
$I_Q$	No Load Supply Current	$2.7\text{V} < V_{IN} < 5\text{V}$ , $I_{OUT}=0\text{mA}$ , $\overline{\text{SHDN}}=V_{IN}$		13	30	$\mu\text{A}$
$V_{OUT}$	Output Voltage	$2.7\text{V} < V_{IN} < 5\text{V}$ , $I_{OUT} \leq 50\text{mA}$	4.8	5	5.2	V
		$3.0\text{V} < V_{IN} < 5\text{V}$ , $I_{OUT} \leq 100\text{mA}$	4.8	5	5.2	V
$I_{SHDN}$	Shutdown Supply Current	$2.7\text{V} < V_{IN} < 3.6\text{V}$ , $I_{OUT}=0\text{mA}$ , $V_{SHDN}=0$		0.01	1	$\mu\text{A}$
		$3.6\text{V} < V_{IN} < 5\text{V}$ , $I_{OUT}=0\text{mA}$ , $V_{SHDN}=0$			2.5	
$V_{RIPPLE}$	Ripple Voltage	$V_{IN} = 3\text{V}$ , $I_{OUT} = 50\text{mA}$		25		mV <sub>P-P</sub>
		$V_{IN} = 3\text{V}$ , $I_{OUT} = 100\text{mA}$		30		
$\eta$	Efficiency	$V_{IN} = 3\text{V}$ , $I_{OUT} = 50\text{mA}$		83		%
$f_{OSC}$	Frequency	Oscillator Free Running		750		kHz
$V_{IH}$	$\overline{\text{SHDN}}$ Input Threshold High		1.4			V
$V_{IL}$	$\overline{\text{SHDN}}$ Input Threshold Low				0.3	V
$I_{IH}$	$\overline{\text{SHDN}}$ Input Current High	$\overline{\text{SHDN}} = V_{IN}$	-1		1	$\mu\text{A}$
$I_{IL}$	$\overline{\text{SHDN}}$ Input Current Low	$\overline{\text{SHDN}} = \text{GND}$	-1		1	$\mu\text{A}$
$t_{ON}$	$V_{OUT}$ Turn-on time	$V_{IN} = 3\text{V}$ , $I_{OUT} = 0\text{mA}$		0.2		ms
$I_{SC}$	Short-circuit current <sup>3</sup>	$V_{IN} = 3\text{V}$ , $V_{OUT} = \text{GND}$ , $\overline{\text{SHDN}} = 3\text{V}$		300		mA

Note 3: Under short-circuit conditions, the device may enter overtemperature protection mode.

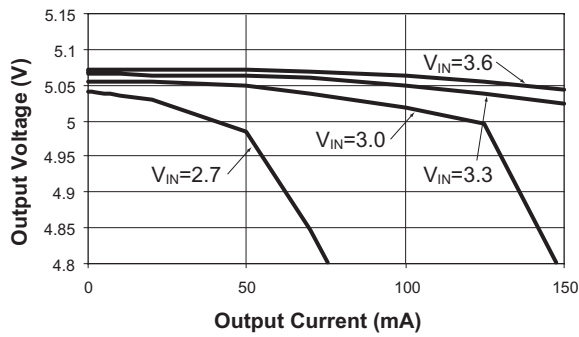
**Electrical Characteristics** ( $T_A = -40$  to  $85^\circ\text{C}$  unless otherwise noted. Typical values are at  $T_A = 25^\circ\text{C}$ ,  $C_{FLY} = 1\mu\text{F}$ ,  $C_{IN} = 10\mu\text{F}$ ,  $C_{OUT} = 10\mu\text{F}$ )

AAT3110-3.3						
Symbol	Description	Conditions	Min	Typ	Max	Units
$V_{IN}$	Input Voltage	$V_{OUT} = 3.3\text{V}$	2.3		$V_{OUT}$	V
$I_Q$	No Load Supply Current	$2.3\text{V} < V_{IN} < 3.3\text{V}$ , $I_{OUT} = 0\text{mA}$		10	30	$\mu\text{A}$
$V_{OUT}$	Output Voltage	$2.3\text{V} < V_{IN} < 3.3\text{V}$ , $I_{OUT} = 50\text{mA}$	3.17	3.30	3.43	V
		$2.5\text{V} < V_{IN} < 3.3\text{V}$ , $I_{OUT} = 100\text{mA}$	3.17	3.30	3.43	V
$I_{SHDN}$	Shutdown Supply Current	$2.3\text{V} < V_{IN} < 3.3\text{V}$ , $I_{OUT} = 0\text{mA}$ , $V_{SHDN} = 0$		0.01	1	$\mu\text{A}$
$V_{RIPPLE}$	Ripple Voltage	$V_{IN} = 2.3\text{V}$ , $I_{OUT} = 50\text{mA}$		20		$\text{mV}_{P-P}$
$\eta$	Efficiency	$V_{IN} = 2.3\text{V}$ , $I_{OUT} = 25\text{mA}$		71		%
$f_{OSC}$	Frequency	Oscillator Free Running		750		kHz
$V_{IH}$	$\overline{\text{SHDN}}$ Input Threshold High		1.4			V
$V_{IL}$	$\overline{\text{SHDN}}$ Input Threshold Low				0.3	V
$I_{IH}$	$\overline{\text{SHDN}}$ Input Current High	$\overline{\text{SHDN}} = V_{IN}$	-1		1	$\mu\text{A}$
$I_{IL}$	$\overline{\text{SHDN}}$ Input Current Low	$\overline{\text{SHDN}} = \text{GND}$	-1		1	$\mu\text{A}$
$t_{ON}$	$V_{OUT}$ Turn-on time	$V_{IN} = 3\text{V}$ , $I_{OUT} = 0\text{mA}$		0.2		ms
$I_{SC}$	Short-circuit current	$V_{IN} = 3\text{V}$ , $V_{OUT} = \text{GND}$ , $\overline{\text{SHDN}} = 3\text{V}$		300		mA

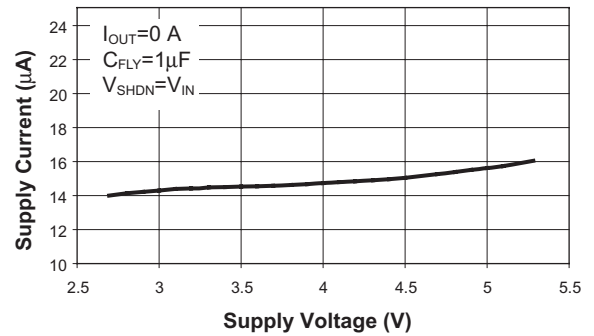
### Typical Characteristics—AAT3110-5

(Unless otherwise noted,  $V_{IN} = 3V$ ,  $C_{IN}=C_{OUT}=10\mu F$ ,  $C_{FLY}=1\mu F$ ,  $T_A = 25^\circ C$ )

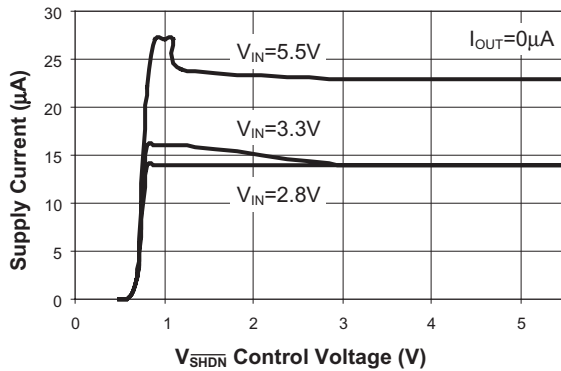
**Output Voltage vs. Output Current**  
AAT3110-5



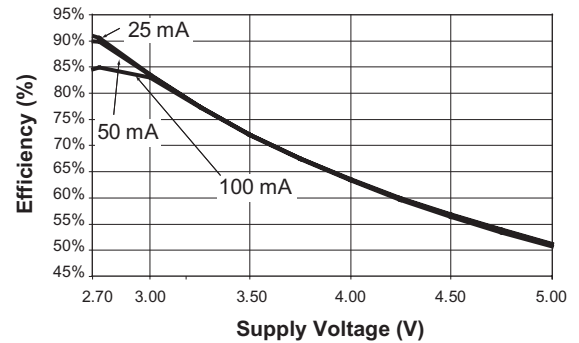
**Supply Current vs. Supply Voltage**  
AAT3110-5



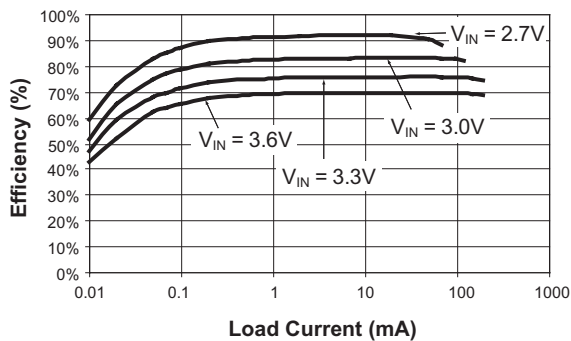
**Supply Current vs.  $V_{SHDN}$**   
AAT3110-5



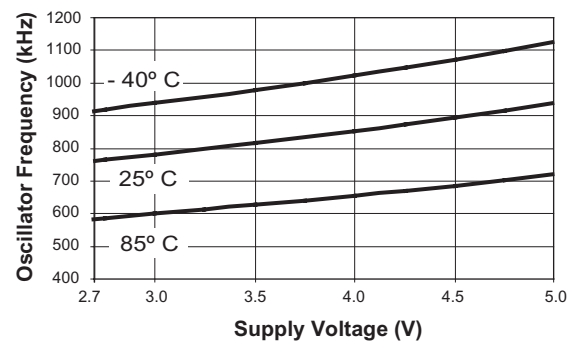
**Efficiency vs. Supply Voltage**  
AAT3110-5



**Efficiency vs. Load Current**  
AAT3110-5



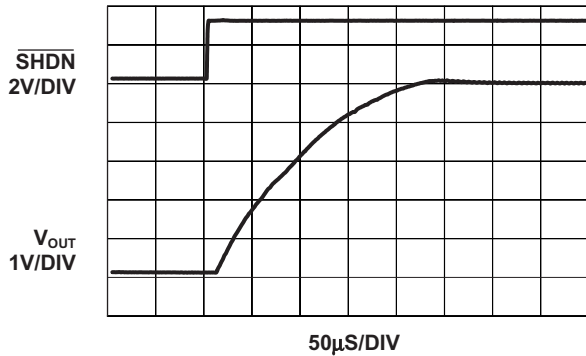
**Oscillator Frequency vs. Supply Voltage**  
AAT3110-5



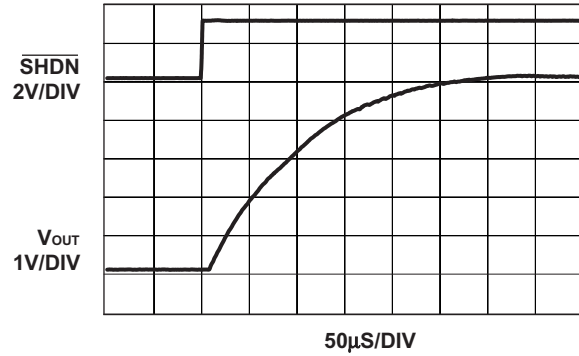
### Typical Characteristics—AAT3110-5

(Unless otherwise noted,  $V_{IN} = 3V$ ,  $C_{IN}=C_{OUT}=10\mu F$ ,  $C_{FLY}=1\mu F$ ,  $T_A = 25^\circ C$ )

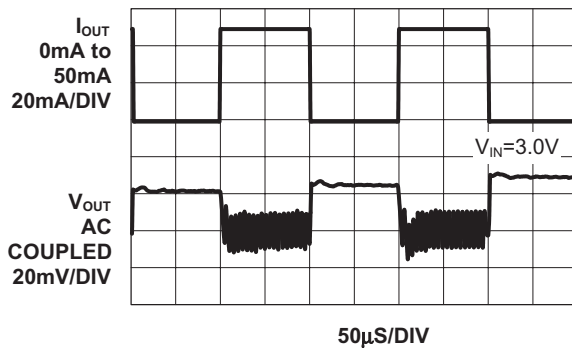
**Startup Time with 50 mA Load  
AAT3110-5**



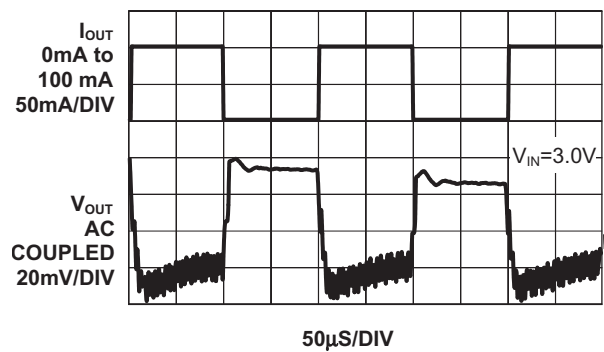
**Startup Time with 100 mA Load  
AAT3110-5**



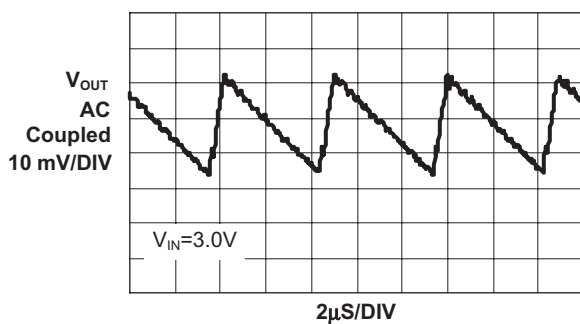
**Load Transient Response for 50mA  
AAT3110-5**



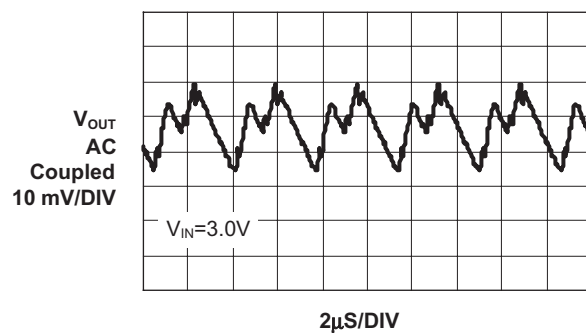
**Load Transient Response for 100mA  
AAT3110-5**



**Output Ripple with  $I_{OUT}=50$  mA  
AAT3110-5**

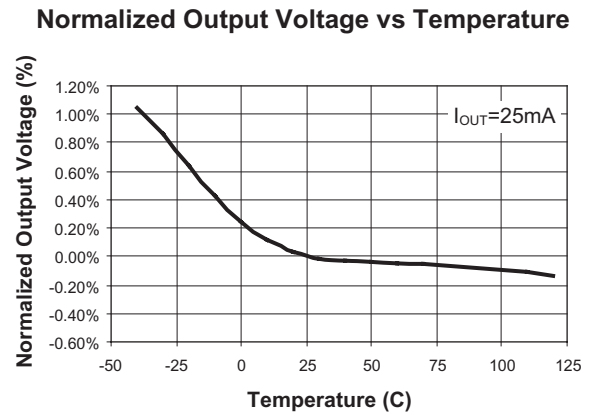
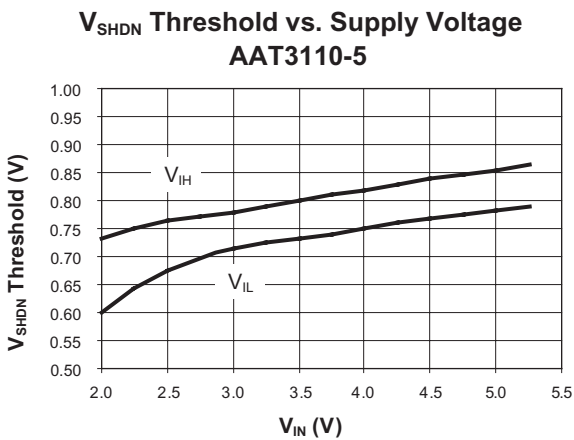
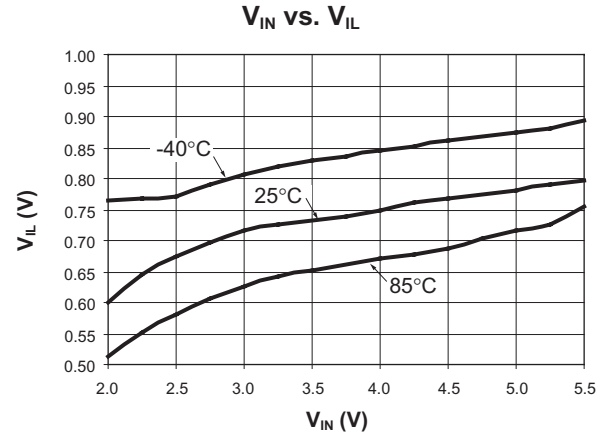
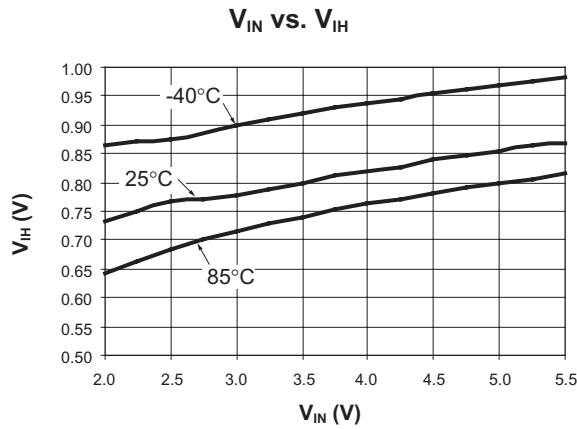


**Output Ripple with  $I_{OUT}=100$  mA  
AAT3110-5**



## Typical Characteristics—AAT3110-5

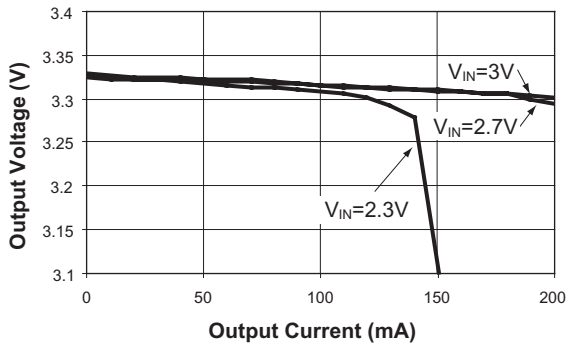
(Unless otherwise noted,  $V_{IN} = 3V$ ,  $C_{IN}=C_{OUT}=10\mu F$ ,  $C_{FLY}=1\mu F$ ,  $T_A = 25^\circ C$ )



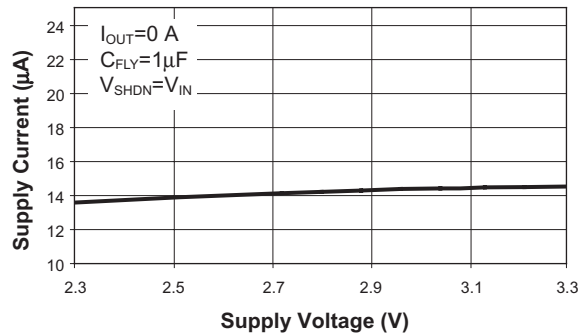
### Typical Characteristics—AAT3110-3.3

(Unless otherwise noted,  $V_{IN} = 2.3V$ ,  $C_{IN} = C_{OUT} = 10\mu F$ ,  $C_{FLY} = 1\mu F$ ,  $T_A = 25^\circ C$ )

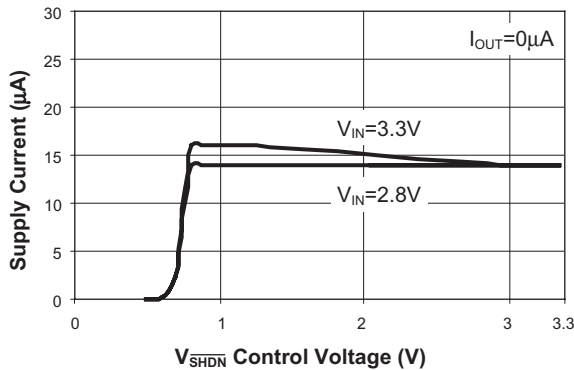
**Output Voltage vs. Output Current**  
AAT3110-3.3



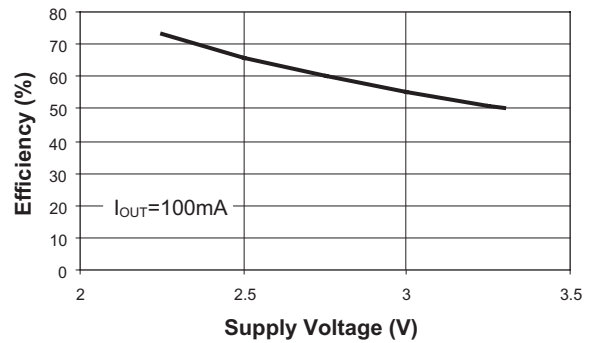
**Supply Current vs. Supply Voltage**  
AAT3110-3.3



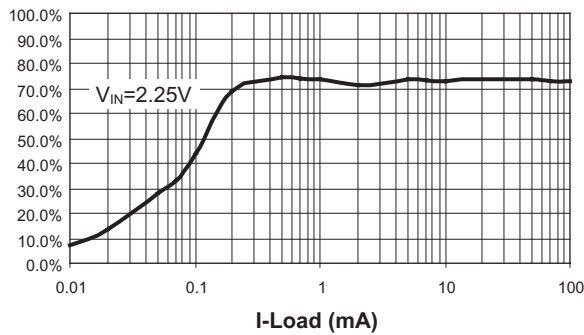
**Supply Current vs.  $V_{SHDN}$**   
AAT3110-3.3



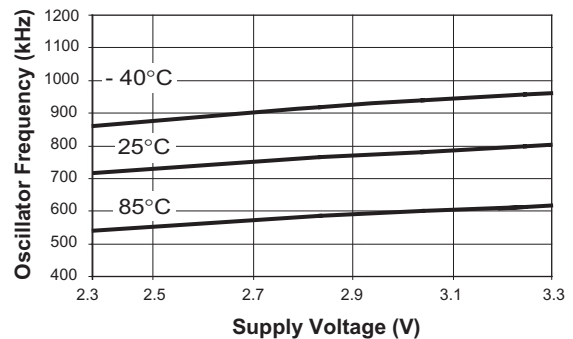
**Efficiency vs. Supply Voltage**  
AAT3110-3.3



**Efficiency vs. Output Current**  
AAT3110-3.3



**Oscillator Frequency vs. Supply Voltage**  
AAT3110-3.3

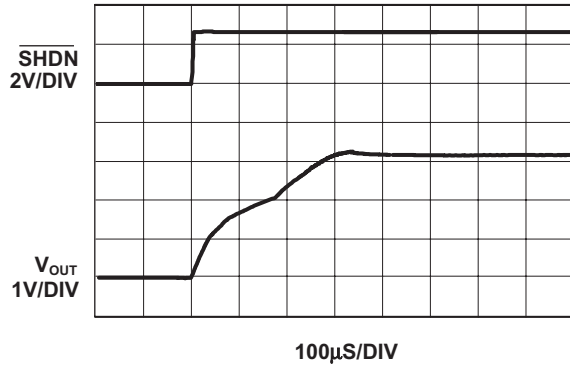




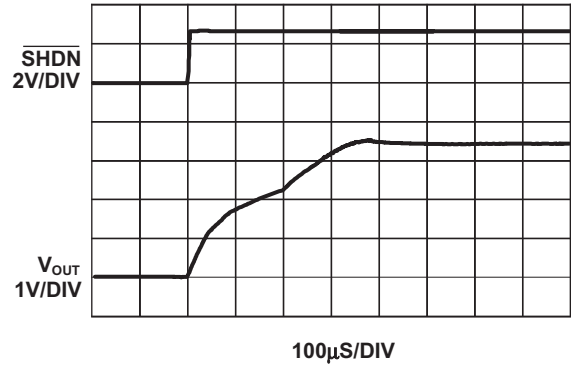
### Typical Characteristics—AAT3110-3.3

(Unless otherwise noted,  $V_{IN} = 2.3V$ ,  $C_{IN}=C_{OUT}=10\mu F$ ,  $C_{FLY}=1\mu F$ ,  $T_A = 25^\circ C$ )

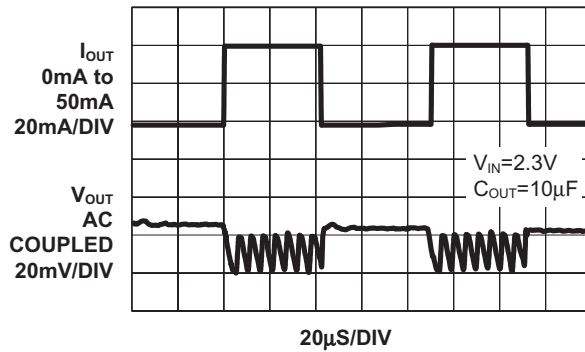
**Startup Time with 50 mA Load  
AAT3110-3.3**



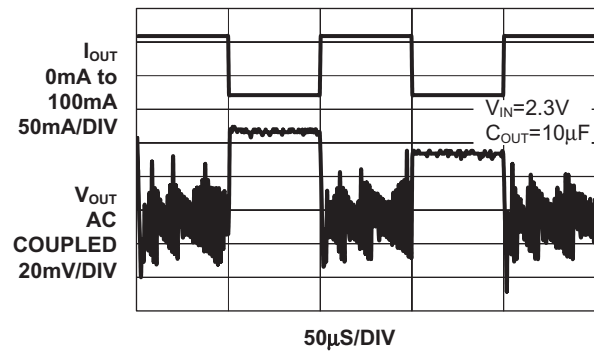
**Startup Time with 100 mA Load  
AAT3110-3.3**



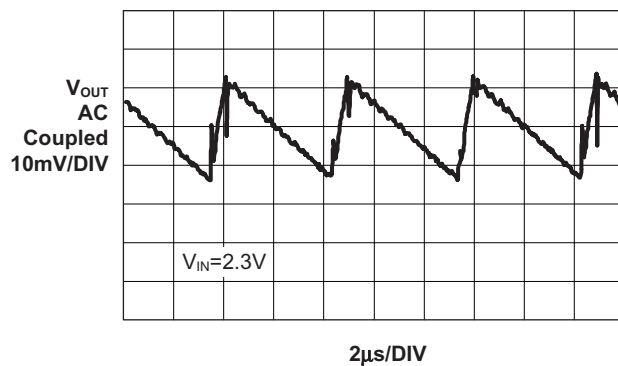
**Load Transient Response for 50mA  
AAT3110-3.3**



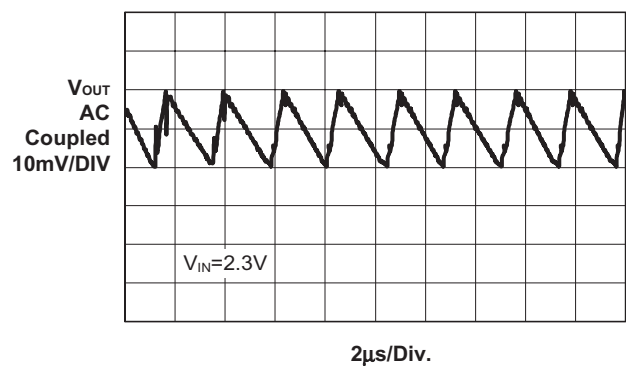
**Load Transient Response for 100mA  
AAT3110-3.3**



**Output Ripple for 50mA Load  
AAT3110-3.3**



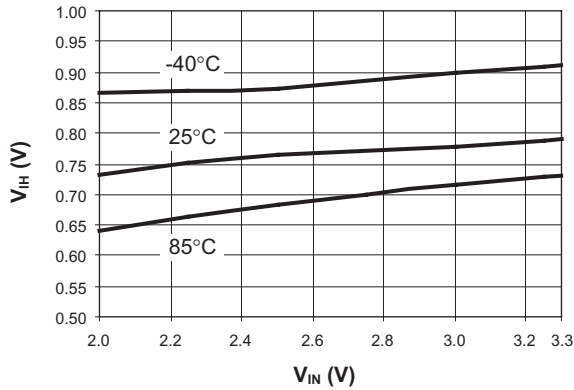
**Output Ripple for 100mA Load  
AAT3110-3.3**



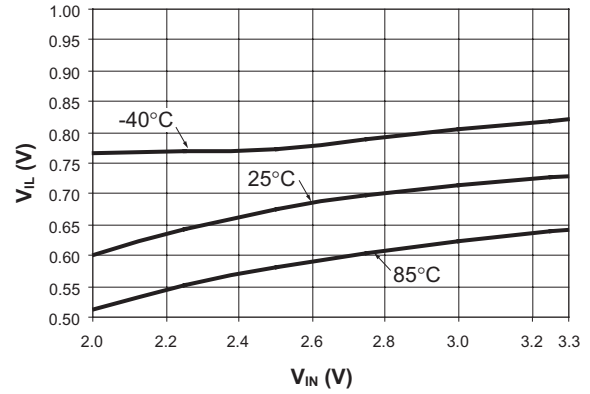
### Typical Characteristics—AAT3110-3.3

(Unless otherwise noted,  $V_{IN} = 2.3V$ ,  $C_{IN}=C_{OUT}=10\mu F$ ,  $C_{FLY}=1\mu F$ ,  $T_A = 25^\circ C$ )

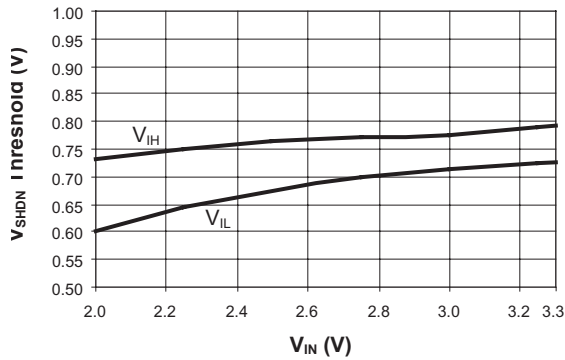
**$V_{IN}$  vs.  $V_{IH}$**   
**AAT3110-3.3**



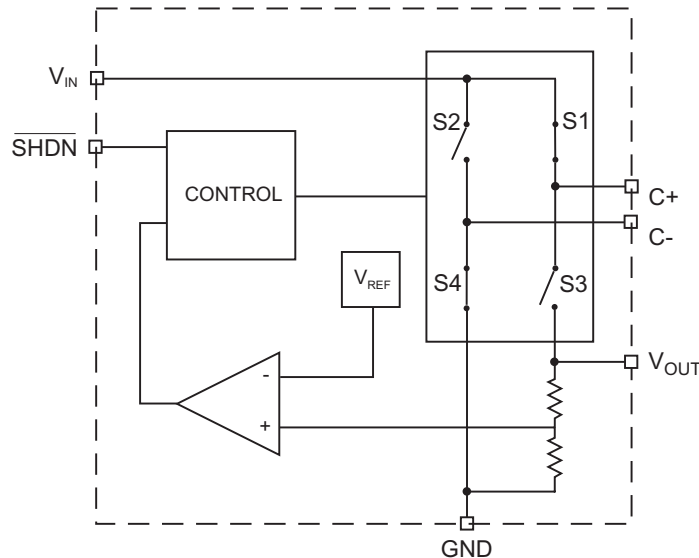
**$V_{IN}$  vs.  $V_{IL}$**   
**AAT3110-3.3**



**$V_{SHDN}$  Threshold vs. Supply Voltage**  
**AAT3110-3.3**



### Functional Block Diagram



### Functional Description

#### Operation (Refer to block diagram)

The AAT3110 uses a switched capacitor charge pump to boost an input voltage to a regulated output voltage. Regulation is achieved by sensing the charge pump output voltage through an internal resistor divider network. A switched doubling circuit is enabled when the divided output drops below a preset trip point controlled by an internal comparator. The charge pump switch cycling enables four internal switches at two non-overlapping phases. During the first phase, switches S1 and S4 are switched on (short) and switches S2 and S3 are off (open). The flying capacitor  $C_{FLY}$  is charged to a level approximately equal to input voltage  $V_{IN}$ . On the second phase, switches S1 and S4 are turned off (open), S2 and S3 are turned on (short). The low side of the flying capacitor  $C_{FLY}$  is connected to GND during the first phase. During the second phase, the flying capacitor  $C_{FLY}$  is switched so that the low side is connected to  $V_{IN}$ . The voltage at the high side of the flying capacitor  $C_{FLY}$  is bootstrapped to  $2 \times V_{IN}$  and connected to output through a switch. For each cycle phase, charge from input node  $V_{IN}$  is transported from a lower voltage to a higher voltage. This cycle repeats itself until the output node voltage is high enough to exceed the preset input threshold of the control comparator. When the output voltage exceeds the internal trip point level, the switching cycle stops and the charge pump circuit is tem-

porarily placed in an idle state. When idle, the AAT3110 has a quiescent current of 13 $\mu$ A or less. The closed loop feed back system containing the voltage sense circuit and control comparator allows the AAT3110 to provide a regulated output voltage to the limits of the input voltage and output load current. The switching signal, which drives the charge pump is created by an integrated oscillator within the control circuit block. The free running charge pump switching frequency is approximately 750kHz. The switching frequency under an active load is a function of  $V_{IN}$ ,  $V_{OUT}$ ,  $C_{OUT}$  and  $I_{OUT}$ .

For each phase of the switching cycle, the charge transported from  $V_{IN}$  to  $V_{OUT}$  can be approximated by the following formula:

$$V_{PHASE} \approx C_{FLY} \times (2 \times V_{IN} - V_{OUT})$$

The relative average current that the charge pump can supply to the output may be approximated by the following expression:

$$I_{OUT(AVG)} \propto C_{FLY} \times (2 \times V_{IN} - V_{OUT}) \times F_{SW}$$

The AAT3110 has complete output short circuit and thermal protection to safeguard the device under extreme operating conditions. An internal thermal protection circuit senses die temperature and will shut down the device if the internal junction temperature exceeds approximately 145°C. The charge pump will remain disabled until the fault condition is relieved.

## Applications Information

### External Capacitor Selection

Careful selection of the three external capacitors  $C_{IN}$ ,  $C_{OUT}$  and  $C_{FLY}$  is very important because they will affect turn on time, output ripple and transient performance. Optimum performance will be obtained when low ESR ( $<100m\Omega$ ) ceramic capacitors are used for  $C_{IN}$  and  $C_{OUT}$  and  $C_{FLY}$ . In general, low ESR may be defined as less than  $200m\Omega$ . If desired for a particular application, low ESR Tantalum capacitors may be substituted; however optimum output ripple performance may not be realized. Aluminum Electrolytic capacitors are not recommended for use with the AAT3110 due to their inherent high ESR characteristic.

Typically as a starting point, a capacitor value of  $10\mu F$  should be used for  $C_{IN}$  and  $C_{OUT}$  with  $1\mu F$   $C_{FLY}$  when the AAT3110 is used under maximum output load conditions. Lower values for  $C_{IN}$ ,  $C_{OUT}$  and  $C_{FLY}$  may be utilized for light load current applications. Applications drawing a load current of  $10mA$  or less may use a  $C_{IN}$  and  $C_{OUT}$  capacitor value as low as  $1\mu F$  and a  $C_{FLY}$  value of  $0.1\mu F$ .  $C_{IN}$  and  $C_{OUT}$  may range from  $1\mu F$  for light loads to  $10\mu F$  or more for heavy output load conditions.  $C_{FLY}$  may range from  $0.01\mu F$  to  $2.2\mu F$  or more. If  $C_{FLY}$  is increased,  $C_{OUT}$  should also be increased by the same ratio to minimize output ripple. As a basic rule, the ratio between  $C_{IN}$ ,  $C_{OUT}$  and  $C_{FLY}$  should not exceed a ratio of 10 to 1. The compromise for lowering the value of  $C_{IN}$ ,  $C_{OUT}$  and the flying capacitor  $C_{FLY}$  is the output ripple voltage may be increased. In any case, if the external capacitor values deviate greatly from the recommendation of  $C_{IN} = C_{OUT} = 10\mu F$  and  $C_{FLY} = 1\mu F$ , the AAT3110 output performance should be evaluated to assure the device meets the application requirements.

In applications where the input voltage source has very low impedance, it is possible to omit the  $C_{IN}$  capacitor. However, if  $C_{IN}$  is not used, circuit performance should be evaluated to assure desired operation is achieved. Under high peak current operating conditions that are typically experienced during circuit start up or when load demands create a large inrush current, poor output voltage regulation can result if the input supply source impedance

is high, or if the value of  $C_{IN}$  is too low. This situation can be remedied by increasing the value of  $C_{IN}$ .

### Capacitor Characteristics

Ceramic composition capacitors are highly recommended over all other types of capacitors for use with the AAT3110. Ceramic capacitors offer many advantages over their tantalum and aluminum electrolytic counterparts. A ceramic capacitor typically has very low ESR, is lower cost, has a smaller PCB footprint and is non-polarized. Low ESR ceramic capacitors help maximize charge pump transient response. Since ceramic capacitors are non-polarized, they are not prone to incorrect connection damage.

**Equivalent Series Resistance (ESR):** ESR is a very important characteristic to consider when selecting a capacitor. ESR is a resistance internal to a capacitor, which is caused by the leads, internal connections, size or area, material composition and ambient temperature. Typically capacitor ESR is measured in milliohms for ceramic capacitors and can range to more than several ohms for tantalum or aluminum electrolytic capacitors.

**Ceramic Capacitor Materials:** Ceramic capacitors less than  $0.1\mu F$  are typically made from NPO or COG materials. NPO and COG materials typically have tight tolerance and are very stable over temperature. Large capacitor values are typically composed of X7R, X5R, Z5U or Y5V dielectric materials. Large ceramic capacitors, typically greater than  $2.2\mu F$  are often available in low cost Y5V and Z5U dielectrics. If these types of capacitors are selected for use with the charge pump, the nominal value should be doubled to compensate for the capacitor tolerance which can vary more than  $\pm 50\%$  over the operating temperature range of the device. A  $10\mu F$  Y5V capacitor could be reduced to less than  $5\mu F$  over temperature, this could cause problems for circuit operation. X7R and X5R dielectrics are much more desirable. The temperature tolerance of X7R dielectric is better than  $\pm 15\%$ .

Capacitor area is another contributor to ESR. Capacitors that are physically large will have a lower ESR when compared to an equivalent material smaller capacitor. These larger devices can improve circuit transient response when compared to an equal value capacitor in a smaller package size.

## Applications Information

### Charge Pump Efficiency

The AAT3110 is a regulated output voltage doubling charge pump. The efficiency ( $\eta$ ) can simply be defined as a linear voltage regulator with an effective output voltage that is equal to two times the input voltage. Efficiency ( $\eta$ ) for an ideal voltage doubler can typically be expressed as the output power divided by the input power.

$$\eta = P_{OUT} / P_{IN}$$

In addition, with an ideal voltage doubling charge pump the output current may be expressed as half the input current. The expression to define the ideal efficiency ( $\eta$ ) can be rewritten as:

$$\eta = P_{OUT} / P_{IN} = (V_{OUT} \times I_{OUT}) / (V_{IN} \times 2I_{OUT}) = V_{OUT} / 2V_{IN}$$

$$\eta(\%) = 100(V_{OUT} / 2V_{IN})$$

For a charge pump with an output of 5 volts and a nominal input of 3.0 volts, the theoretical efficiency is 83.3%. Due to internal switching losses and IC quiescent current consumption, the actual efficiency can be measured at 82.7%. These figures are in close agreement for output load conditions from 1mA to 100mA. Efficiency will decrease as load current drops below 0.05mA or when level of  $V_{IN}$  approaches  $V_{OUT}$ . Refer to the Typical Characteristics section for measured plots of efficiency versus input voltage and output load current for the given charge pump output voltage options.

### Short Circuit and Thermal Protection

In the event of a short circuit condition, the charge pump can draw as much as 100mA to 400mA of current from  $V_{IN}$ . This excessive current consumption due to an output short circuit condition will cause a rise in the internal IC junction temperature. The AAT3110 has a thermal protection and shutdown circuit that continuously monitors the IC junction temperature. If the thermal protection circuit senses the die temperature exceeding approximately 145°C, the thermal shutdown will disable the charge pump switching cycle operation. The thermal limit system has 10°C of system hysteresis before the charge pump can reset. Once the over current event is removed from the output and the junction temperature drops below 135°C, the charge pump will then become active again. The

thermal protection system will cycle on and off if an output short circuit condition persists. This will allow the AAT3110 to operate indefinitely a short circuit condition without damage to the device.

### Output Ripple and Ripple Reduction

There are several factors that determine the amplitude and frequency of the charge pump output ripple, the values of  $C_{OUT}$  and  $C_{FLY}$ , the load current  $I_{OUT}$  and the level of  $V_{IN}$ . Ripple observed at  $V_{OUT}$  is typically a sawtooth waveform in shape. The ripple frequency will vary depending on the load current  $I_{OUT}$  and the level of  $V_{IN}$ . As  $V_{IN}$  increases the ability of the charge pump to transfer charge from the input to the output becomes greater, as it does, the peak-to-peak output ripple voltage will also increase.

The size and type of capacitors used for  $V_{IN}$ .  $C_{OUT}$  and  $C_{FLY}$  have an effect on output ripple. Since output ripple is associated with the R/C charge time constant of these two capacitors, the capacitor value and ESR will contribute to the resulting charge pump output ripple. This is why low ESR capacitors are recommended for use in charge pump applications. Typically, output ripple is not greater than 50mV<sub>P-P</sub> when  $V_{IN} = 3.0V$ ,  $V_{OUT} = 5.0V$ ,  $C_{OUT} = 10\mu F$  and  $C_{FLY} = 1\mu F$ .

When the AAT3110 is used in light output load applications where  $I_{OUT} < 10mA$ , the flying capacitor  $C_{FLY}$  value can be reduced. The reason for this effect is when the charge pump is either under very light load conditions the transfer of charge across  $C_{FLY}$  is greater during each phase of the switching cycle. The result is higher ripple seen at the charge pump output. This effect will be reduced by decreasing the value of  $C_{FLY}$ . Caution should be observed when decreasing the flying capacitor. If the output load current rises above the nominal level for the reduced  $C_{FLY}$  value, charge pump efficiency can be compromised.

There are several methods that can be employed to reduce output ripple depending upon the requirements of a given application. The most simple and straightforward technique is to increase the value of the  $C_{OUT}$  capacitor. The nominal 10 $\mu F$   $C_{OUT}$  capacitor can be increased to 22 $\mu F$  or more. Larger values for the  $C_{OUT}$  capacitor (22 $\mu F$  and greater) will by nature have lower ESR and can improve both high and low frequency components of the charge

### Applications Information

and low frequency components of the charge pump output ripple response. If a higher value tantalum capacitor is used for  $C_{OUT}$  to reduce low frequency ripple elements, a small  $1\mu\text{F}$  low ESR ceramic capacitor should be added in parallel to the tantalum capacitor (see Figure 1). The reason for this is tantalum capacitors typically have higher ESR than equivalent value ceramic capacitors and are less able to reduce high frequency components of the output ripple. The only disadvantage to using large values for the  $C_{OUT}$  capacitor is the AAT3110 device turn-on time and in-rush current may be increased.

If additional ripple reduction is desired, an R/C filter can be added to the charge pump output in addition to the  $C_{OUT}$  capacitor (see Figure 2). An R/C filter will reduce output ripple by primarily attenuating high frequency components of the output ripple waveform. The low frequency break point for the R/C filter will significantly depend on the capacitor value selected.

### Layout Considerations

High charge pump switching frequencies and large peak transient currents mandate careful printed circuit board layout. As a general rule for charge pump boost converters, all external capacitors should be located as close as possible to the device package with minimum length trace connections. Maximize the ground plane around the AAT3110 charge pump and make sure all external capacitors are connected to the immediate ground plane. A local component side ground plane is recommended. If this is not possible due the layout design limitations, assure good ground connections by the use of large or multiple pcb via's.

Refer to the following AAT3110 evaluation board for an example of good charge pump layout design (Figures 3 through 5).

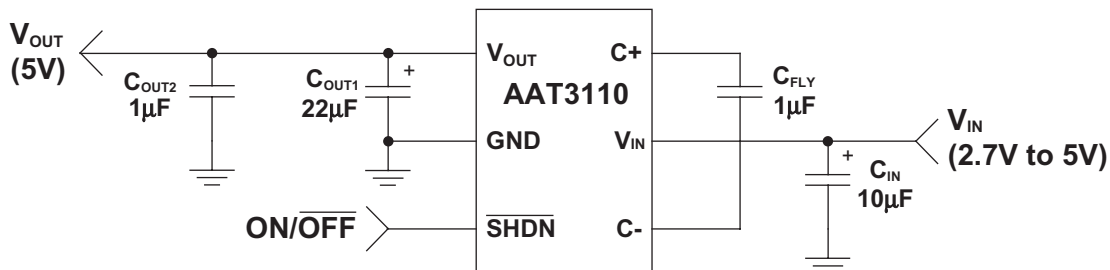


Figure 1: Application using tantalum capacitor

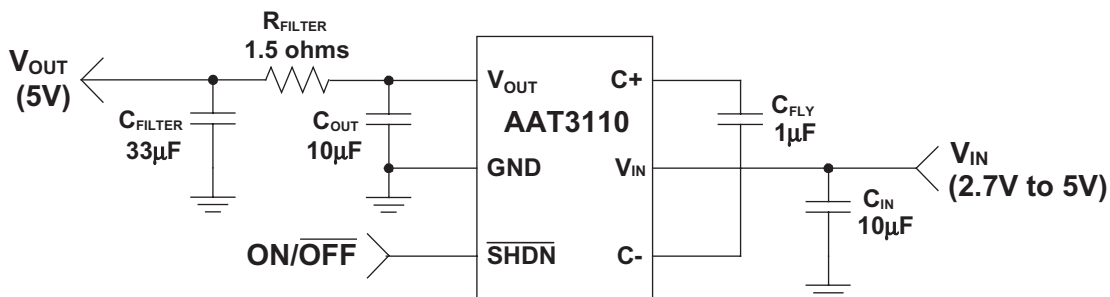
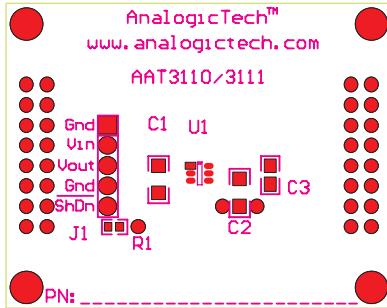
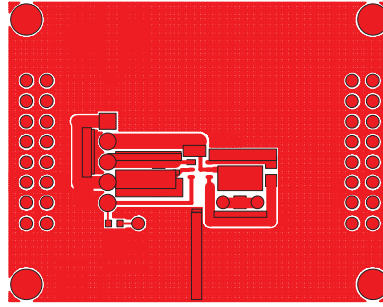


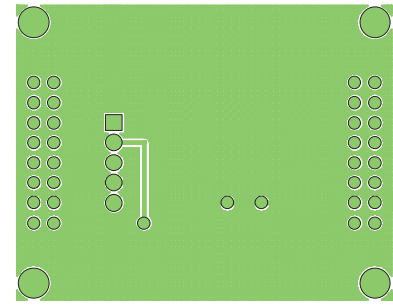
Figure 2: Application with output ripple reduction filter



**Figure 3: Evaluation board top side silk screen layout / assembly drawing**

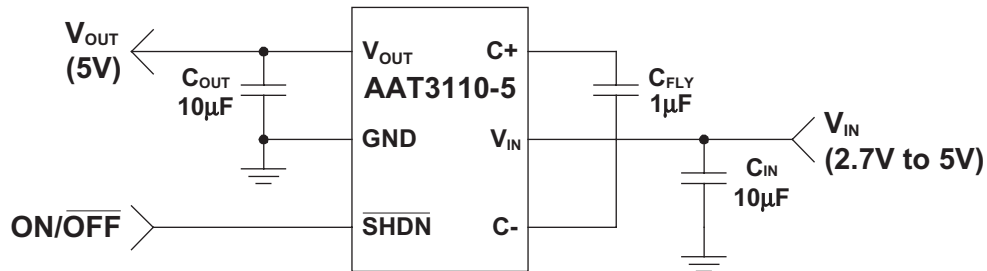


**Figure 4: Evaluation board component side layout**

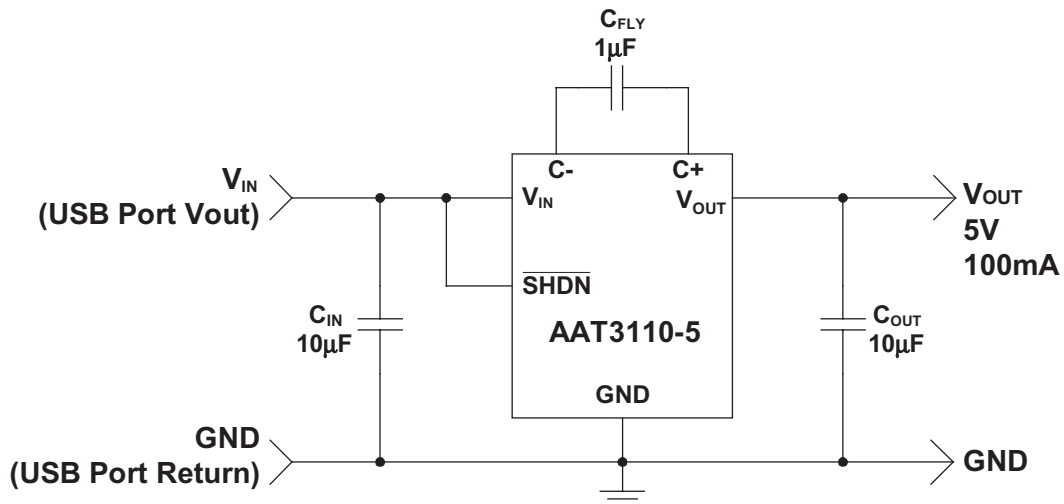


**Figure 5: Evaluation board component side layout**

## Typical Application Circuits



**Figure 6: Typical charge pump boost converter circuit**



**Figure 7: 5 Volt, 100mA supply powered from a USB port**

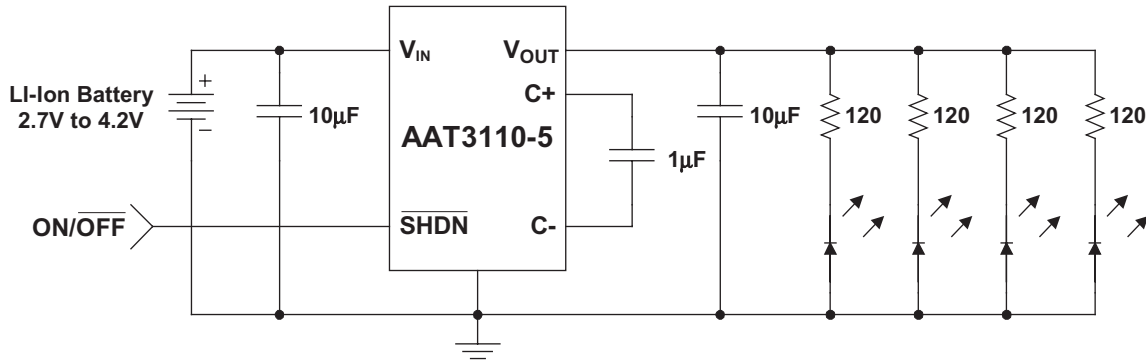


Figure 8: 5 Volt LED or Display Driver from a Li-Ion Battery Source

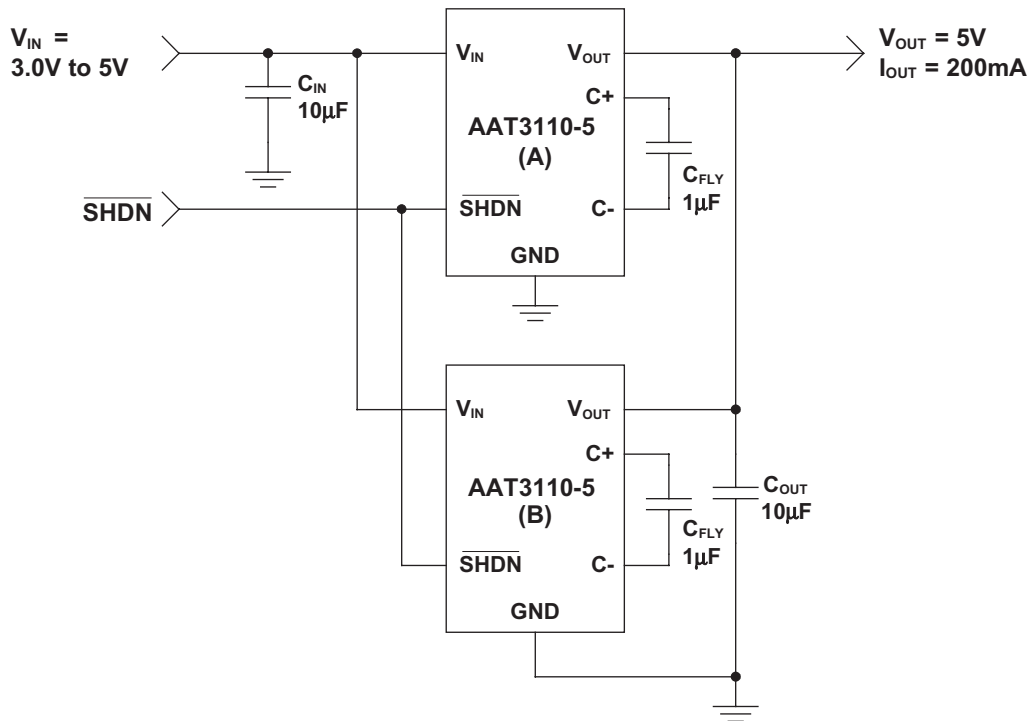


Figure 9: 5 Volt, 200mA Step-Up Supply from a 3.0V to 5V Source.

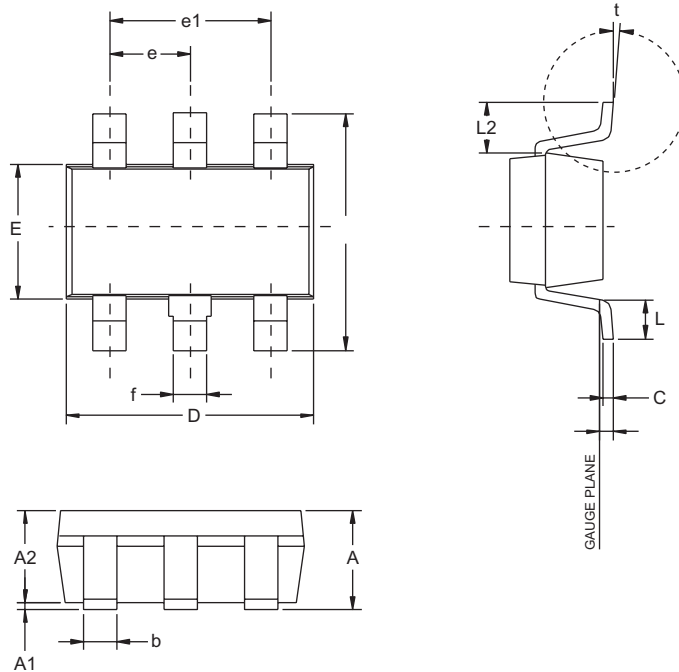


### Ordering Information

Output Voltage	Package	Marking	Part Number	
			Bulk	Tape and Reel
3.3V	SOT-23-6		N/A	AAT3110IGU-3.3-T1
5.0V	SOT-23-6		N/A	AAT3110IGU-5-T1
3.3V	SC70JW-8		N/A	AAT3110IJS-3.3-T1
5.0V	SC70JW-8		N/A	AAT3110IJS-5-T1

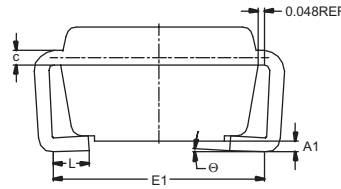
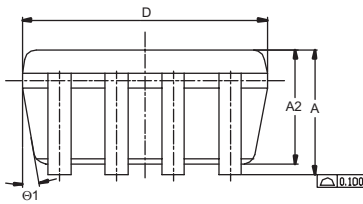
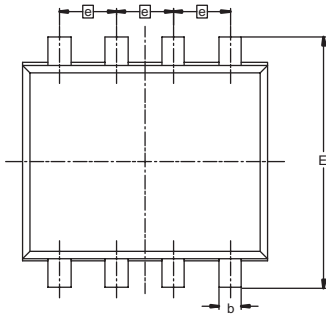
### Package Information

SOT-23-6



Dim	Millimeters		Inches	
	Min	Max	Min	Max
A	0.95	1.45	0.037	0.057
A1	0.05	0.15	0.002	0.006
A2	0.90	1.30	0.035	0.051
b	0.35	0.50	0.0137	0.019
c	0.08	0.20	0.0031	0.0078
D	2.84	3.00	0.1118	0.118
E	1.50	1.70	0.059	0.0669
E1	2.60	3.00	0.102	0.118
e	0.95 BSC		0.0374 BSC	
e1	1.90 BSC		0.0748 BSC	
f	0.50 BSC		0.0197 BSC	
L	0.23	0.40	0.009	0.016
L1	0.10 BSC		0.039 BSC	
L2	0.60 BSC		0.0236 BSC	
t	0°	10°	0°	10°

### SC70JW-8



Dim	Millimeters		Inches	
	Min	Max	Min	Max
E	2.10 BSC		0.083 BSC	
E1	1.75	2.00	0.069	0.079
L	0.23	0.40	0.009	0.016
A		1.10		0.043
A1	0	0.10		0.004
A2	0.70	1.00	0.028	0.039
D	2.00 BSC		0.079 BSC	
e	0.50 BSC		0.020 BSC	
b	0.15	0.30	0.006	0.012
c	0.10	0.20	0.004	0.008
$\Theta$	0	8°	0	8°
$\Theta 1$	4°	10°	4°	10°