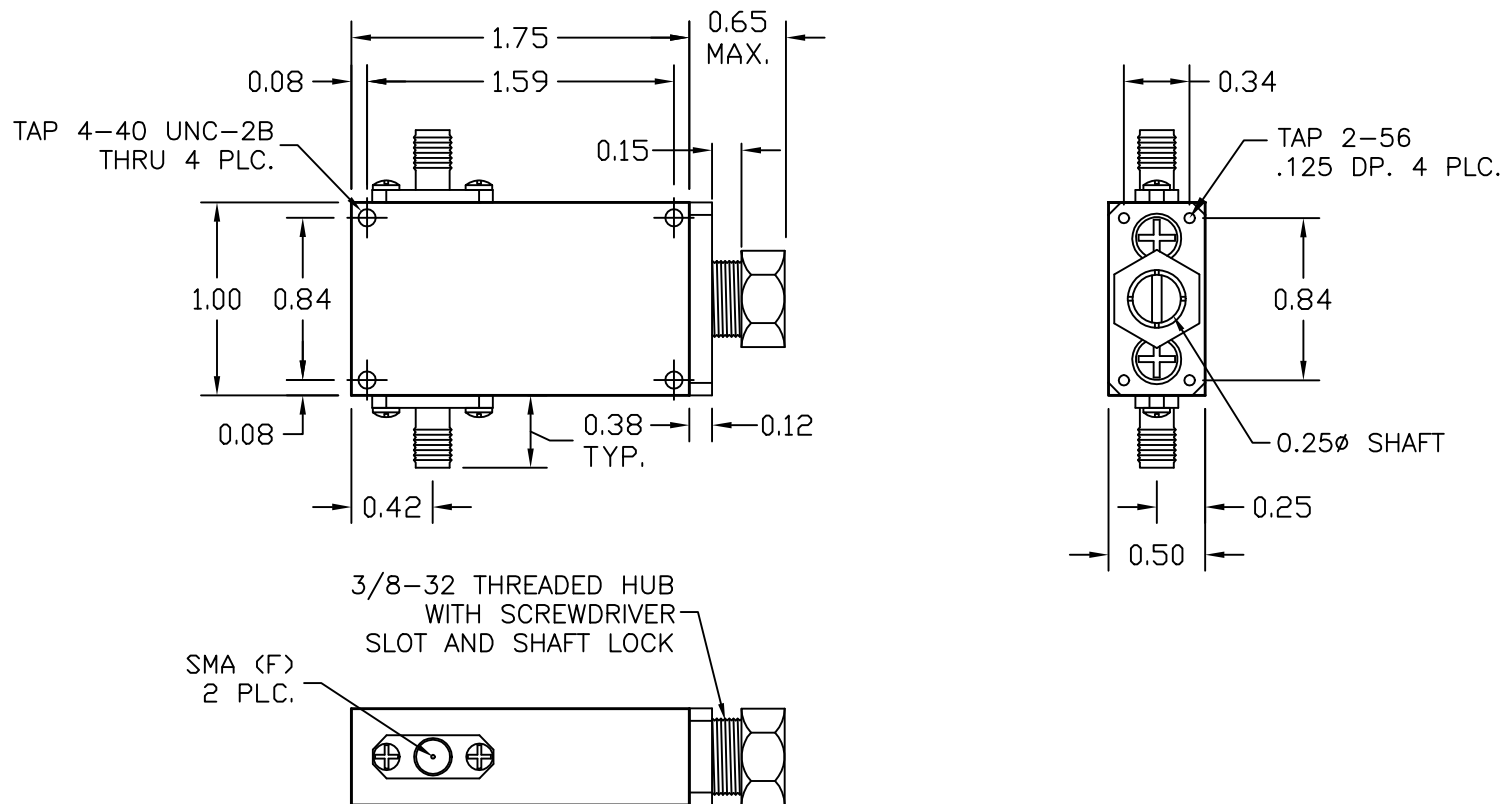


QUANTITY	MODEL NUMBER	NEXT ASSEMBLY	REVISIONS				
			ZONE	REV	DESCRIPTION	DATE	APPROVED
1	AV06XX-XX	0000		A	Initial Release	11/8/00	

+0.000  
-0.000



THIRD ANGLE PROJECTION =

DRAWN  
R. LYNCH  
DATE  
3/1/01

ADVANCED TECHNICAL MATERIALS, INC.  
49 RIDER AVENUE, PATCHOGUE N.Y. 11772  
TEL: (631) 289-0363 FAX: (631) 289-0358

CHECKED

AV/AF06 ATTENUATOR

APPROVED

UNLESS OTHERWISE SPECIFIED  
DIMENSIONS ARE IN INCHES  
TOLERANCES ARE:  
FRACTIONS DECIMALS ANGELS  
±1/64 ±.01 ±1/2°

**PROPRIETARY NOTICE**  
The information contained in this drawing is  
proprietary and shall not be used or disclosed  
without the prior written consent of ATM, Inc.



MATERIAL

FINISH

SIZE A	FSCM NO. OR8N4	DWG NO. 3020	REV A
-----------	-------------------	-----------------	----------

SCALE: 1 To 1 DO NOT SCALE DRAWING SHEET 1 OF 3