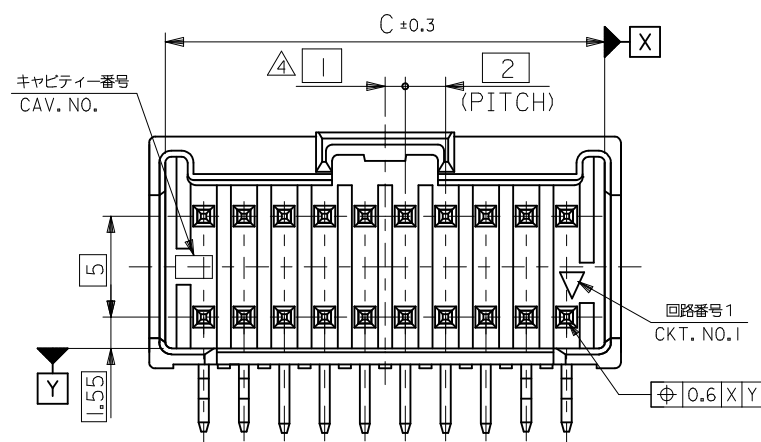


注記

1. 一般公差 : ±0.5  
GENERAL TOLERANCES: ±0.5
  2. 各部の反りは2. OMAX.  
WARP: 2.0MAX.
- ③ トレイの中の製品の向きは (a) 又は (b) とし、かつ同一トレイ中の製品の向きはどちらか一方で統一  
PRODUCT DIRECTION SHOULD BE (a) OR (b).  
ALL PRODUCTS MUST FACED THE SAME DIRECTION IN THE TRAY.

RELEASED EC NO: J2009-0955 DRWN: YOKUZONO 2008/10/20 CHKD: HARUYAMA 2008/10/20 APPR: NUKITA 2008/10/20	GENERAL TOLERANCES (UNLESS SPECIFIED)		DIMENSION STYLE <b>MM ONLY</b>		SCALE <b>1:2</b>	DESIGN UNITS <b>METRIC</b>	THIRD ANGLE PROJECTION	
	10 UNDER ± ---	10 OVER 30 UNDER ± ---	30 OVER ± ---	DRAWN BY Y. TOKUZONO	DATE 2008/10/17	TITLE <b>TRAY FOR 5959          (2.0MM W-T-B DUAL CONN.          DIP PLUG HOUSING ASS'Y)</b>		
	ANGULAR ± --- °			CHECKED BY T. HARUYAMA	DATE 2008/10/17	<b>MOLEX INCORPORATED</b>		
	DRAFT WHERE APPLICABLE MUST REMAIN WITHIN DIMENSIONS			APPROVED BY N. UKITA	DATE 2008/10/17	MATERIAL NO. <b>098910030</b>	DOCUMENT NO. <b>SD-55959-001</b>	SHEET NO. <b>1 OF 1</b>

10 9 8 7 6 5 4 3 2 1



注記 NOTES

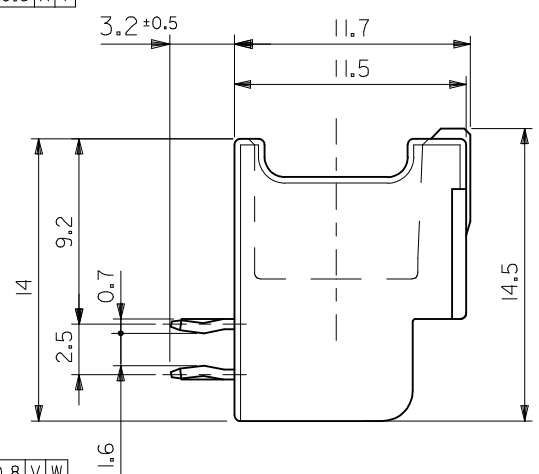
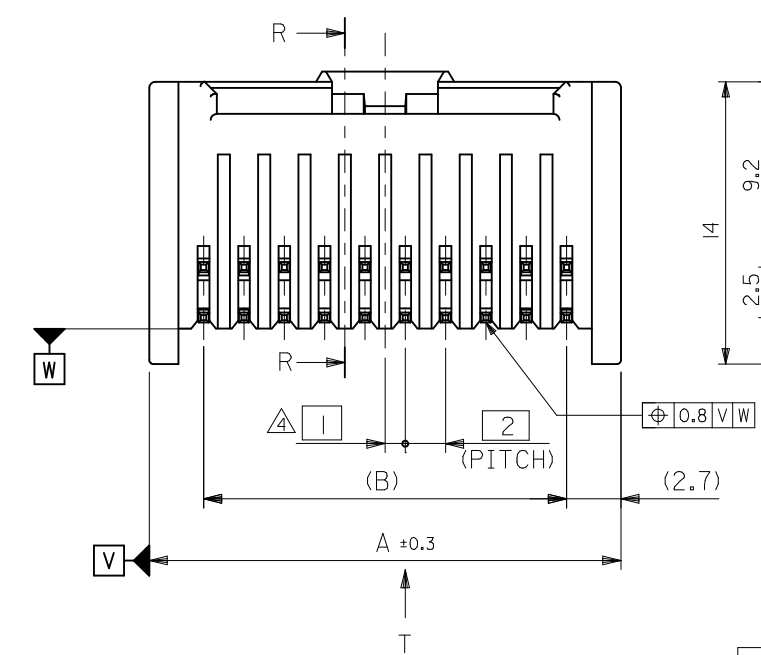
1. 材料 MATERIAL  
 PIN : 黄銅, 錫メッキ  
 PIN : BRASS, TIN PLATING  
 ハウジング : PBT (ガラス入り: 15%), UL94V-0  
 HOUSING : PBT(G.F.: 15%), UL94V-0
2. 嵌合相手 : 51353シリーズ  
 MATE WITH : 51353 SERIES
3. ソルダータールキンは、両端の8ピンのみとする。  
 KINK TO BE APPLIED FOR 8 PINS AT BOTH ENDS.

△ (全極数/2) = 偶数の場合に適用。  
 APPLY FOR (CIRCUIT/2)=EVEN

△ 製品番号 MATERIAL NO.  
 55959-\*\*\*3\*  
 極数 CIRCUIT SIZE 色 COLOR

6. ELV 及びRoHS適合品  
 ELV AND RoHS COMPLIANT

ナチュラル (白) NATURAL (WHITE)	0
黒 BLACK	1
赤 RED	2
黄 YELLOW	3
青 BLUE	4
桃 PINK	5
緑 GREEN	6
茶 BROWN	7
橙 ORANGE	8
紫 VIOLET	9

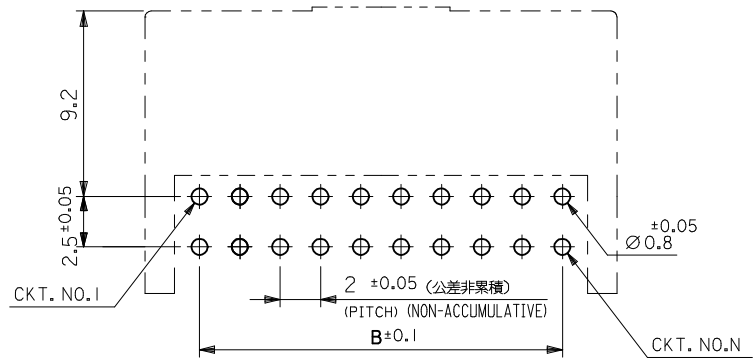


41.8	38	43.4	55959-403*	40
39.8	36	41.4	-383*	38
37.8	34	39.4	-363*	36
35.8	32	37.4	-343*	34
33.8	30	35.4	-323*	32
31.8	28	33.4	-303*	30
29.8	26	31.4	-283*	28
27.8	24	29.4	-263*	26
25.8	22	27.4	-243*	24
23.8	20	25.4	-223*	22
21.8	18	23.4	-203*	20
19.8	16	21.4	-183*	18
17.8	14	19.4	-163*	16
15.8	12	17.4	-143*	14
13.8	10	15.4	-123*	12
11.8	8	13.4	-103*	10
9.8	6	11.4	55959-083*	8

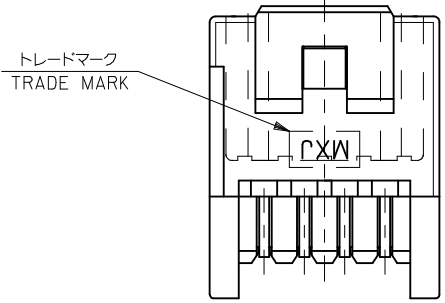
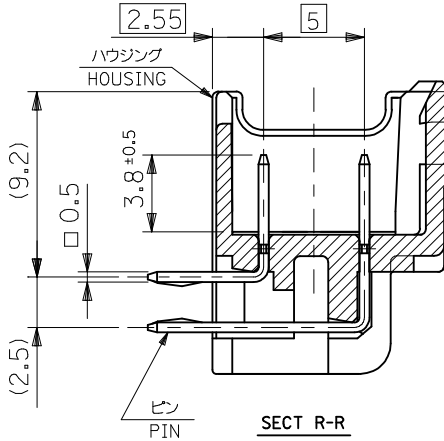
55959-***3*	C	B	A	△ MATERIAL NO.	CKT.
CONNECTOR SERIES NO.				ORDER NO.	

REVISED EC NO: J2014-1085 DRWN: YAJI MA01 2014/01/09 CHKD: APPR: NUKITA 2014/01/09	GENERAL TOLERANCES (UNLESS SPECIFIED)		DIMENSION STYLE MM ONLY		SCALE ---		DESIGN UNITS METRIC		THIRD ANGLE PROJECTION	
	10 UNDER	± 0.2	DRAWN BY		DATE		TITLE		2.0 W-B CONN. DUAL DIP PLUG HSG ASS'Y R/A -LEAD FREE- <b>molex</b>	
	10 OVER 30 UNDER	± 0.25	CHECKED BY		DATE					
	30 OVER	± 0.3	APPROVED BY		DATE					
	ANGULAR ± 3 °		MATERIAL NO.		DOCUMENT NO.		SHEET NO.			
DRAFT WHERE APPLICABLE MUST REMAIN WITHIN DIMENSIONS		SEE NOTES		SD-55959-003		1 OF 3				
		SIZE A3		THIS DRAWING CONTAINS INFORMATION THAT IS PROPRIETARY TO MOLEX INCORPORATED AND SHOULD NOT BE USED WITHOUT WRITTEN PERMISSION						

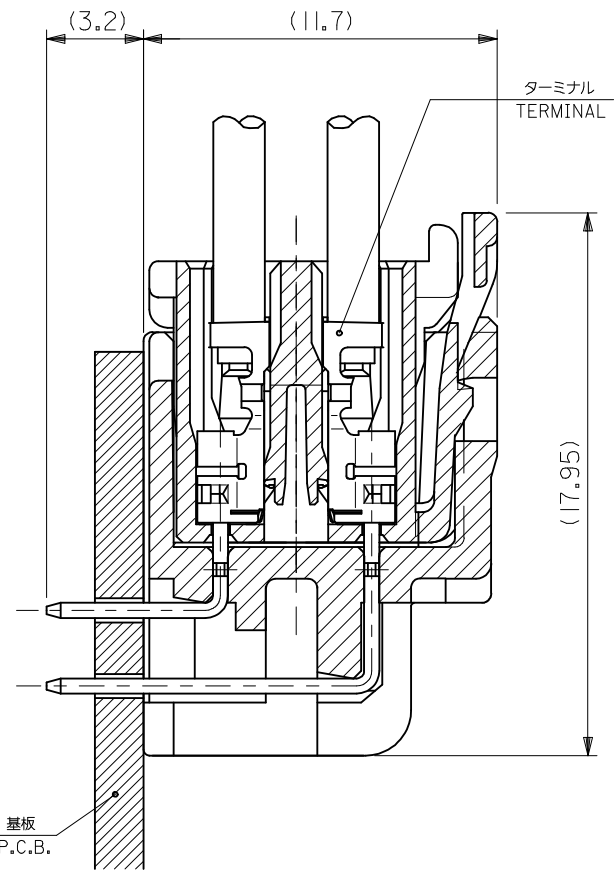
9 8 7 6 5 4 3 2



基板取付け推奨寸法 (マウント面)  
 RECOMMENDED P.C. BOARD  
 HOLE DIMENSION  
 (MOUNTING SIDE)  
 (t = 1.2, 1.6)



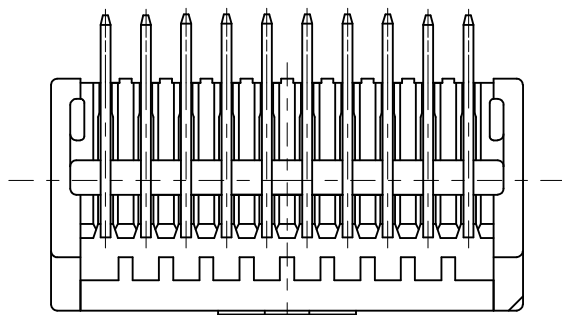
8 CIRCUIT



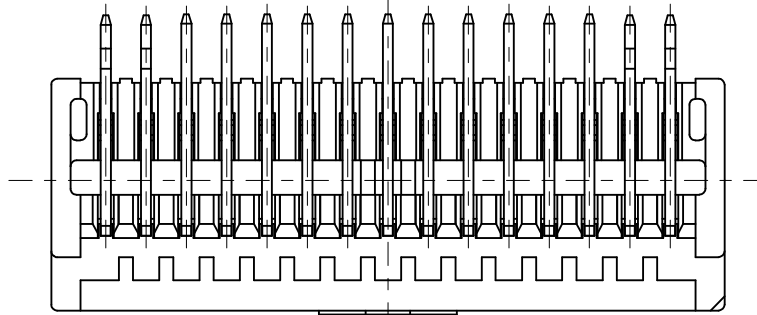
嵌合断面図 (参考)  
 MATED DRAWING (REF.)

REVISED EC NO: J2014-1085 DRWN: YAJ/IMA01 2014/01/09 CHKD: APPR: NUK/ITA 2014/01/09	GENERAL TOLERANCES (UNLESS SPECIFIED)		DIMENSION STYLE MM ONLY	SCALE ---	55959-***3	DESIGN UNITS METRIC	CONNECTOR SERIES NO.
	10 UNDER	± 0.2	DRAWN BY	DATE	TITLE 2.0 W-B CONN. DUAL DIP PLUG HSG ASS'Y R/A -LEAD FREE-		
	10 OVER 30 UNDER	± 0.25	CHECKED BY	DATE	THIRD ANGLE PROJECTION		
	30 OVER	± 0.3	APPROVED BY	DATE	molex		
	ANGULAR ± 3 °	MATERIAL NO.	SEE SHEET 1	DOCUMENT NO.	SD-55959-003	SHEET NO. 2 OF 3	
	DRAFT WHERE APPLICABLE MUST REMAIN WITHIN DIMENSIONS	SIZE A3	THIS DRAWING CONTAINS INFORMATION THAT IS PROPRIETARY TO MOLEX INCORPORATED AND SHOULD NOT BE USED WITHOUT WRITTEN PERMISSION				

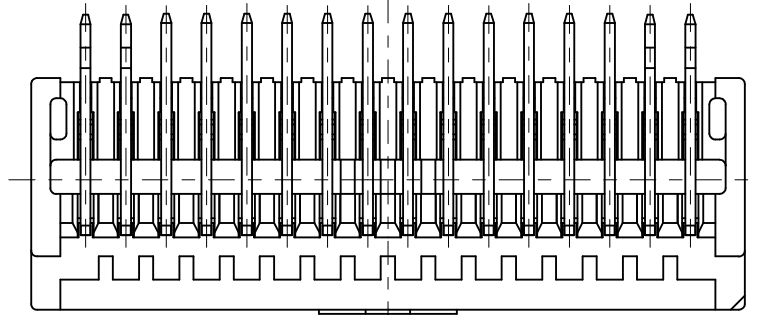
10 9 8 7 6 5 4 3 2 1



8-20 CIRCUIT



22,26,30,34,38 CIRCUIT



24,28,32,36,40 CIRCUIT

VIEW "T"

REVISED EC NO: J2014-1085 DRWN:TYAJ/MA01 2014/01/09 CHKD: APPR:NUK/ITA 2014/01/09 REV:	GENERAL TOLERANCES (UNLESS SPECIFIED)		DIMENSION STYLE MM ONLY		SCALE ---		55959-*** DESIGN UNITS METRIC		CONNECTOR SERIES NO.	
	10 UNDER ±0.2		DRAWN BY DATE		TITLE		2.0 W-B CONN. DUAL DIP PLUG HSG ASS'Y R/A -LEAD FREE- <b>molex</b>		SHEET NO. 3 OF 3	
	10 OVER 30 UNDER ±0.25		CHECKED BY DATE		APPROVED BY DATE					
	30 OVER ±0.3		MATERIAL NO. SEE SHEET 1		DOCUMENT NO. SD-55959-003					
ANGULAR ±3 °		DRAFT WHERE APPLICABLE MUST REMAIN WITHIN DIMENSIONS		SIZE A3		THIS DRAWING CONTAINS INFORMATION THAT IS PROPRIETARY TO MOLEX INCORPORATED AND SHOULD NOT BE USED WITHOUT WRITTEN PERMISSION				

9 8 7 6 5 4 3 2