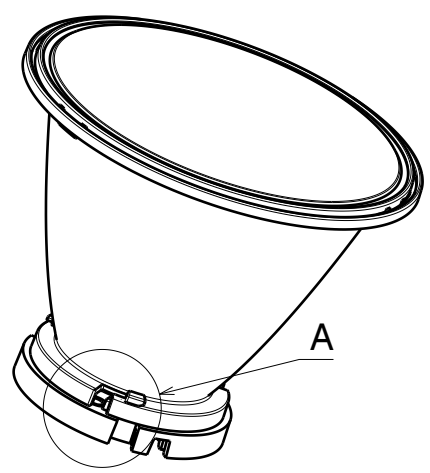
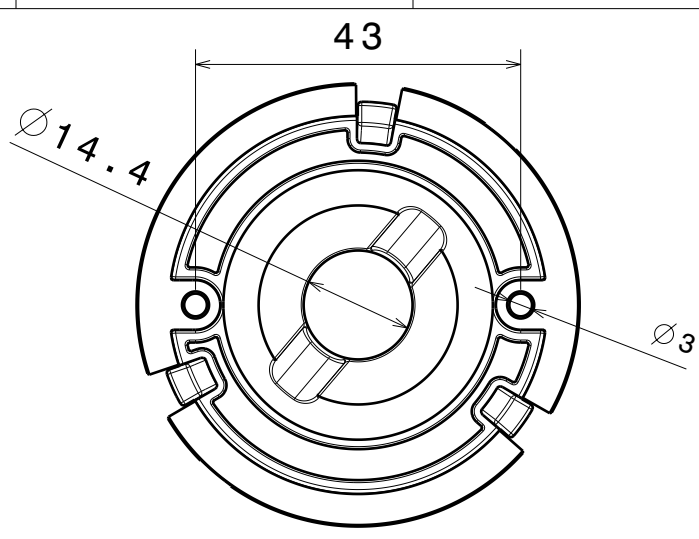


D C B A

4

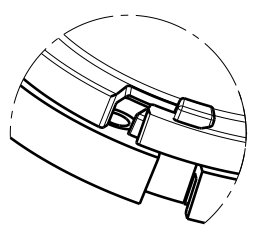


Isometric view



Base part

3

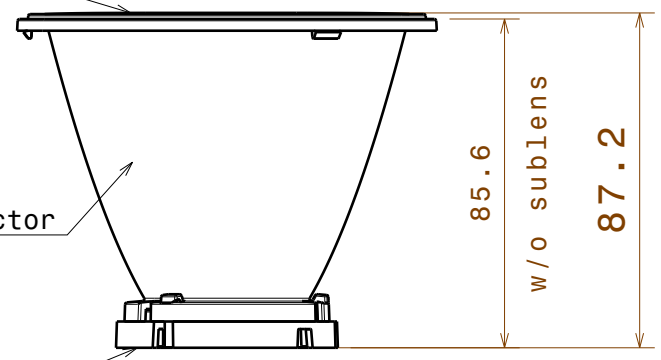


Detail A  
Scale: 1:1

Lena sublens

Lena reflector

Lena-STD-base COB204



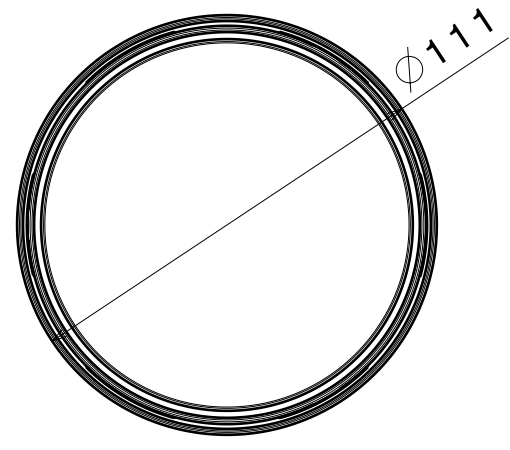
2

Material:

subLens  
- PMMA

Reflector  
- PC  
- Metal coating and clear lacquer

Holder base  
- PC  
- Color white



4

3

2

This drawing is our property. It can't be reproduced or communicated without our written agreement.



L T F F e i n e i n

DRAWING TITLE

Datasheet Lena-COB204 series Assy

1

DRAWN BY p	DATE 26.05.2011	DRAWING TITLE Datasheet Lena-COB204 series Assy			
CHECKED BY p	DATE 26.05.2011	SIZE A4	DRAWING NUMBER		REV 1
DESIGNED BY pl	DATE 11.02.2011	SCALE 1:2	WEIGHT (g)	SHEET 1/1	

1

D

A

# Mouser Electronics

Authorized Distributor

Click to View Pricing, Inventory, Delivery & Lifecycle Information:

[Ledi:](#)

[CN12110\\_LENA-S-DL](#) [CN12099\\_LENA-S](#) [CN12111\\_LENA-W-DL](#) [CN12165\\_LENA-M-DL](#)