

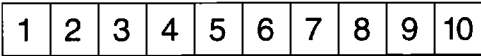
# ACCESSORIES

## Marking

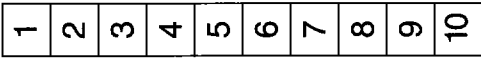
### Dekafix System

The dekafix marking system is used to mark LP Series, LU 10.16 and GSE 10 PCB terminal blocks.

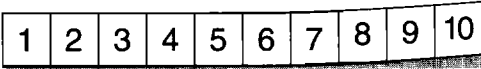
Dekafix is supplied in cards of 50 tags (5 strips of 10). Custom (special) printing is also available.



Horizontal print



Vertical print



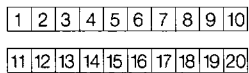
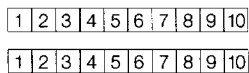
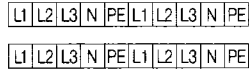
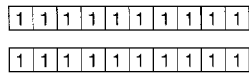
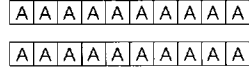
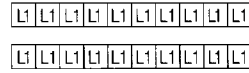
Strip mounting



Individual marker mounting

<b>Material</b>	Polyamide
Temperature range	(constant) -40°C to +100°C
Flammability:	UL 94 V-2 (self-extinguishing)
Components:	Silicone-free
	Halogens below detectable range
<b>Mounting</b>	Strip mounting or individual mounting depending on the application
<b>Print</b>	Standard print or custom print; print color: black
<b>Smudge resistance</b>	Smudge-resistant to DIN IEC 50
<b>Number of characters</b>	Horizontal      Vertical w/2.5mm characters
<b>DEK 5</b>	3                      3

### Dekafix System DEK 5

Horizontal	Print	DEK 5 for terminals ≥ 5 mm
		Part No.
Consecutive Horizontal increments of 50	1 ... 50	<b>473460001</b>
	51 ... 100	<b>473460051</b>
	to 951 ... 999	to <b>473460951</b>
		
Consecutive Horizontal increments of 10	1 ... 10	<b>523060001</b>
	11 ... 20	<b>523060011</b>
	to 91 ... 100	to <b>523060091</b>
	to 201 ... 210	to <b>523060201</b>
		
Horizontal	L1   L2   L3   N   PE	<b>354361187</b>
	L1   L2   L3   N   PE	<b>354361203</b>
		
Consecutive Horizontal Single Number	1	<b>522660001</b>
	2	<b>522660002</b>
	to 200	to <b>522660200</b>
	to 400	to <b>522660400</b>
		
Horizontal Single Character	A	<b>522761021</b>
	B	<b>522761022</b>
	C	<b>522761023</b>
	D	<b>522761024</b>
	E	<b>522761025</b>
	F	<b>522761026</b>
	G	<b>522761027</b>
	H	<b>522761028</b>
	I	<b>522761029</b>
	J	<b>522761030</b>
	K	<b>522761031</b>
	L	<b>522761032</b>
	M	<b>522761033</b>
	N	<b>522761034</b>
	O	<b>522761035</b>
	P	<b>522761036</b>
Q	<b>522761037</b>	
R	<b>522761038</b>	
S	<b>522761039</b>	
T	<b>522761040</b>	
U	<b>522761041</b>	
V	<b>522761042</b>	
W	<b>522761043</b>	
X	<b>522761044</b>	
Y	<b>522761045</b>	
Z	<b>522761046</b>	
+	<b>576261198</b>	
-	<b>576261199</b>	
ground symbol ↓	<b>576261202</b>	
ground in circle ⊕	<b>576261203</b>	
AC symbol ~	<b>576261215</b>	
		
Horizontal Single Symbol	L1	<b>522361075</b>
	L2	<b>522361076</b>
	L3	<b>522361077</b>
		

**Dekafix System  
DEK 5**

Vertical	Print	DEK 5 for terminals ≥ 5 mm
		<b>Part No.</b>
Consecutive Vertical increments of 50	1...50 to 951...999	<b>473560001</b> <b>473560051</b> <b>473560951</b>
Consecutive Vertical increments of 10	1...10 11...20 to 91...100	<b>460660001</b> <b>460660011</b> to <b>460660091</b>
Vertical Single Symbol	PE ground symbol ground in circle	<b>157261187</b> <b>157261202</b> <b>157261203</b>
<b>Blank*</b>		
White	Unprinted	<b>47336</b>
Special Print (Specify print information and print direction)		<b>490760000</b>
	1 2 3 4 5 6 7 8 9 10 horizontal	
	11 12 13 14 15 16 17 18 19 20 vertical	

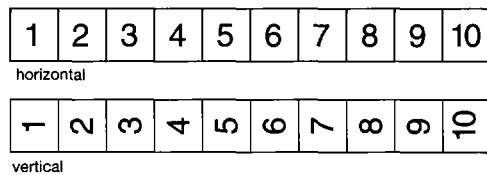
\* Colored tags are available in black, brown, red, orange, yellow, green, blue, violet, gray, and white. Contact your local Weidmüller representative for assistance.

**WS System**

With the WS system, terminal blocks with long numerical sequences can be marked quickly. The large marking surface provides ample space for marking. The WS system large surface connector marker is designed so that it can be marked with an automatic marking system and by hand.

**Strip mounting**

Mounting in rows is intended for the quick marking of Weidmüller printed circuit board terminal blocks. Up to seven characters per tag are printed in one operation. If only a few, individual markings are required, it is possible to purchase ready-to-use WS tags with individual print. WS tags with individual print can be used for long numerical sequences. The result is ready-to-use tags which save time during marking and still offer all the advantages of individual marking.

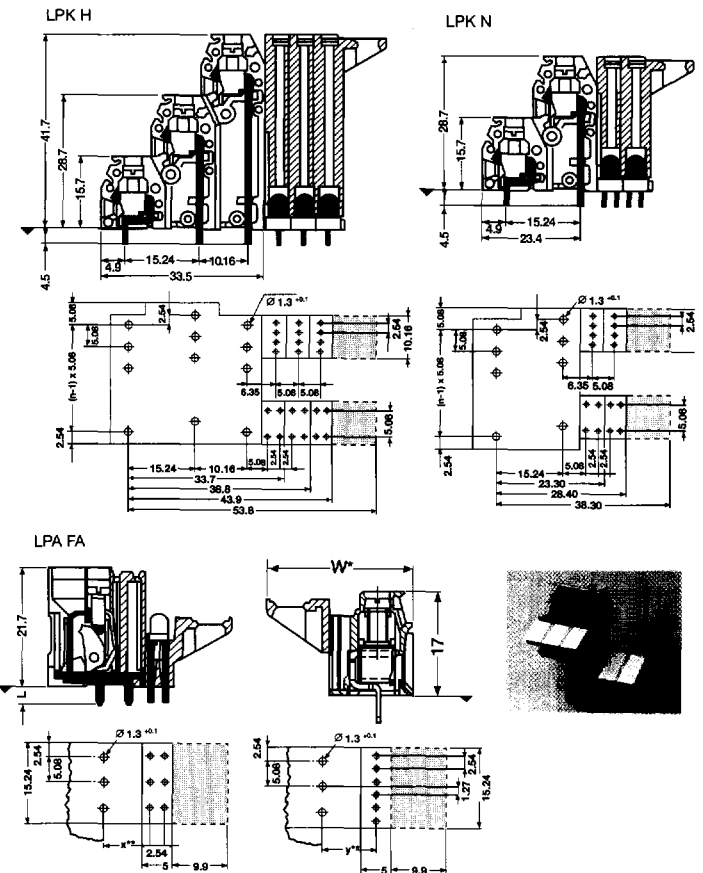


**WS Systems  
WS 10, WS 12**

Blank*	Print	Length (mm)	for terminals ≥ 5 mm	Part No.
White	Unprinted, white	10	WS 10/5	<b>106086</b>
		12	WS 12/5	<b>106106</b>
<b>Special print according to your specification*</b>				<b>Part No.</b>
Horizontal, white		3 lines max.	10	WS 10/5 <b>144716</b>
		3 lines max.	12	WS 12/5 <b>144756</b>
Vertical, white		1 line, up to 6 digits	10	WS 10/5 <b>144706</b>
		1 line, up to 7 digits	12	WS 12/5 <b>144746</b>

\*WS 10, WS 12 markers are available in black, brown, red, orange, yellow, green, blue, purple, gray and white. Contact your local Weidmüller representative for assistance.

**Marker Carriers**

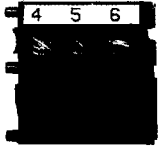


\* For LP 5.08/90...terminal blocks, w=21.2 mm  
 For LPP 5.08/90...terminal blocks, w=23.6 mm  
 \*\* For LP 5.08/90...terminal blocks, x=7.75 mm and y=6.48 mm  
 For LPP 5.08/90...terminal blocks, x=8.89 mm and y=10.16 mm

Marker carriers are used to identify specific printed circuit board terminal blocks. The marker carriers attach to the back of printed circuit board terminal blocks and will accept WS 10 and WS 12 marking tags. Marker carriers may be used with the following printed circuit board terminal blocks: LP 5.08/90, LPP 5.08/90, LP 2N/5.08, LP 2H/5.08, LP 2HR/5.08, and LP 3R/5.08.

2	LPA BZ 2	<b>149726</b>
3	LPA BZ 3	<b>149736</b>

## Marking Strips



Marking Strips allow easy identification of specific termination points. Weidmüller's adhesive marking strips may be affixed to printed circuit board terminal blocks to simplify field wiring and installation by clearly identifying circuits.

Marking strips may be used on the following printed circuit board terminal blocks:

TOP 1.5GS/5.08/90, TOP 1.5GS/5.08/180, TOP 4GS/7.62/90, TOP 4GS/7.62/180, and LU 10.16/90.

Pitch	Terminal Block	Length	Quantity	Part Number
5.00	KSW 2.5 16/5.00 W	1 ... 16	20	163007 0001
5.00	KSW 2.5 20/5.00 W	1 ... 20	20	163008 0001
5.00	KSW 2.5 20/5.00 W	21 ... 40	20	163008 0021
5.00	KSW 2.5 20/5.00 W	41 ... 60	20	163008 0041
5.00	KSW 2.5 20/5.00 W	61 ... 80	20	163008 0061
5.00	KSW 4 12/5.00 W	1 ... 12	20	163013 0001
5.00	KSW 4 12/5.00 W	13 ... 24	20	163013 0013
5.00	KSW 4 18/5.00 W	1 ... 18	20	163017 0001
5.08	KSW 2.5 10/5.08 W	1 ... 10	20	163002 0001
5.08	KSW 2.5 10/5.08 W	11 ... 20	20	163002 0011
5.08	KSW 2.5 15/5.08 W	1 ... 150	2	163005 0001
5.08	KSW 2.5 15/5.08 W	1 ... 15	20	163006 0001
5.08	KSW 2.5 15/5.08 W	151 ... 300	2	163005 0151
5.08	KSW 2.5 15/5.08 W	301 ... 450	2	163005 0301
5.08	KSW 2.5 8/5.08 W	1 ... 8	20	163010 0001
5.08	KSW 2.5 8/5.08 W	5 ... 12	20	163010 0005
5.08	KSW 2.5 8/5.08 W	9 ... 16	20	163010 0009
5.08	KSW 2.5 8/5.08 W	A ... H	20	163010 1021
5.08	KSW 4 16/5.08 W	1 ... 16	20	163016 0001
5.08	KSW 4 16/5.08 W	17 ... 32	20	163016 0017
5.08	KSW 4 16/5.08 W	33 ... 48	20	163016 0033
5.08	KSW 4 16/5.08 W	49 ... 64	20	163016 0049
5.08	KSW 4 16/5.08 W	65 ... 80	20	163016 0065
5.08	KSW 4 16/5.08 W	81 ... 96	20	163016 0081
5.08	KSW 4 24/5.08 W	1 ... 24	15	163018 0001
5.08	KSW 4 8/5.08 W	1 ... 8	20	163020 0001
5.08	KSW 4 16/5.08 W	25 ... 32	20	163020 0025
5.08	KSW 4 16/5.08 W	33 ... 40	20	163020 0033
5.08	KSW 4 16/5.08 W	41 ... 48	20	163020 0041
7.50	KSW 2.5 10/7.50 W	1 ... 100	20	163003 0001
7.50	KSW 2.5 10/7.50 W	1 ... 10	20	163004 0001
7.50	KSW 2.5 10/7.50 W	101 ... 200	2	163003 0101
7.50	KSW 2.5 10/7.50 W	201 ... 300	2	163003 0201
7.50	KSW 2.5 10/7.50 W	301 ... 400	2	163003 0301
7.50	KSW 2.5 10/7.50 W	401 ... 500	2	163003 0401
7.50	KSW 4 12/7.50 W	1 ... 12	20	163014 0001
7.50	KSW 4 12/7.50 W	13 ... 24	20	163014 0013
7.50	KSW 4 12/7.50 W	25 ... 36	20	163014 0025
7.50	KSW 4 12/7.50 W	37 ... 48	20	163014 0037
7.50	KSW 4 12/7.50 W	49 ... 60	20	163014 0049
7.62	KSW 4 12/7.62 W	1 ... 12	20	165227 0001
7.62	KSW 4 12/7.62 W	13 ... 24	20	165227 0013
10.16	KSW 2.5 4/10.16 W	1 ... 4	20	163009 0001

For customer specific marking, the customer initially orders under the special print part numbers, which are available in various lengths to accommodate various pole configurations. The above part numbers may be used on printed circuit board terminal blocks in 5.00, 5.08, 7.50, 7.62, and 10.16 mm pitches.

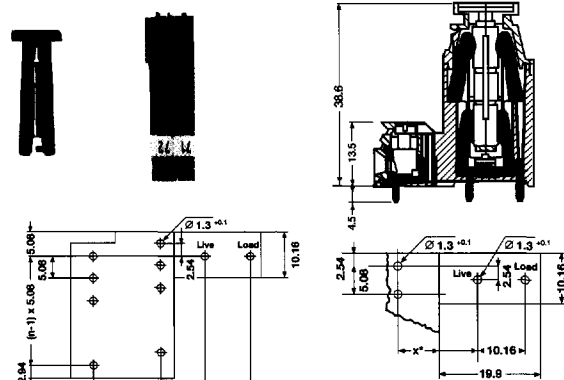
A unique part number will be assigned at the time of the first order for all special print marking strips so that customers may easily reorder the desired marking scheme.

Part Number	Terminal Block	Length	Special Print	Part Number
162990	KSW 2.5	<50 mm	Special Print	162990
162992	KSW 2.5	<100 mm	Special Print	162992
162994	KSW 2.5	<150 mm	Special Print	162994
162991	KSW 4	<50 mm	Special Print	162991
162993	KSW 4	<100 mm	Special Print	162993
162995	KSW 4	<150 mm	Special Print	162995

It is also possible for Weidmüller to supply printed circuit board terminal blocks with either dekafix or marking strips already installed. A unique part number will be assigned at the time of the first order for all marked printed circuit board terminal blocks so that customers may easily reorder.

## Fuse Holders

Fuse holders will accept either 5 x 20 mm or 5 x 25 mm fuses, and may be used with single, double, or triple-level printed circuit board terminal blocks. The fuse holders attach to the back of 5.08 mm pitch, 90°, single-level terminal blocks. With other terminal blocks, the fuse holders are stand-alone elements. They may be used either as single elements or dovetailed together up to a maximum of 12 poles.



\* For LP 5.08/90...terminal blocks, X=12.84 mm  
For LPP 5.08/90...terminal blocks, X=15.24 mm

Terminal Block	Terminal Block	Part Number
LP 5.00/90	LPA SI OG	149516
LP 5.00/135	LPA SI OG	149516
LPP 5.00/90	LPA SI OG	149516
LP 2N/5.00	LPK SI OG	149536
LP 5.08/90	LPA SI OG	149516
LP 5.08/135	LPA SI OG	149516
LPP 5.08/90	LPA SI OG	149516
LP 2N/5.08	LPK SI OG	149536
LP 2H/5.08	LPK SI OG	149536
LP 2HR/5.08	LPK SI OG	149536
LP 3R/5.08	LPK SI OG	149536
LP 7.50/90	LPA SI OG	149516
LPP 7.50/90	LPA SI OG	149516
LP 7.50/135	LPA SI OG	149516
LP 7.62/90	LPA SI OG	149516
LP 7.62/135	LPA SI OG	149516

## TOP Mounting Blocks

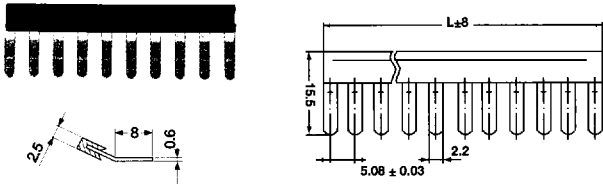
TOP mounting blocks allow TOP 1.5GS printed circuit board terminal blocks to be more securely fastened to printed circuit boards in high vibration applications. The TOP mounting blocks may be used with both 90 and 180 degree TOP 1.5GS orientations in 5.08 mm pitch. The TOP mounting block is supplied with a 2.9 x 19 mm fixing screw.



Part Number	Part Number
TOP 1.5GS BB OG	153986

## Jumper Combs

Jumper combs are used to distribute current within a printed circuit board terminal block. Jumper combs are inserted into the clamping yokes, and are fully insulated so that they are touch safe. Weidmüller jumper combs are available in 2 to 24 pole versions in 5.08 mm pitch.



Quantity	Type	Part No.
2	LPA QB 2	147220
3	LPA QB 3	147230
4	LPA QB 4	147240
5	LPA QB 5	995450
6	LPA QB 6	995451
7	LPA QB 7	995452
8	LPA QB 8	995453
9	LPA QB 9	995454
10	LPA QB 10	147250
11	LPA QB 11	995455
12	LPA QB 12	995456
13	LPA QB 13	995457
14	LPA QB 14	995458
15	LPA QB 15	995459
16	LPA QB 16	995460
17	LPA QB 17	158477
18	LPA QB 18	995461
19	LPA QB 19	995462
20	LPA QB 20	995463
21	LPA QB 21	995464
22	LPA QB 22	995465
23	LPA QB 23	995466
24	LPA QB 24	147260

## LED Holders



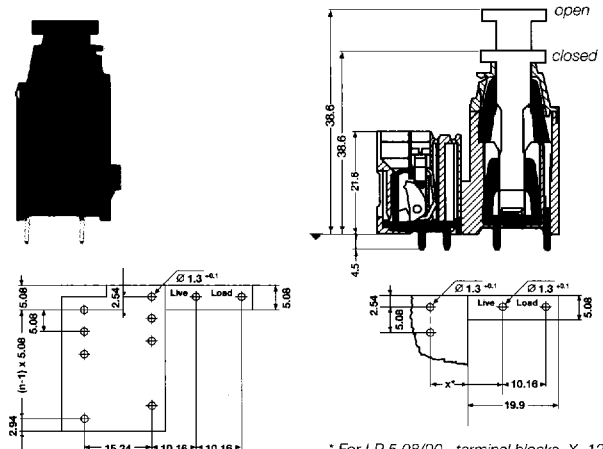
LED holders, which may be attached to the back of either single, double, or triple-level printed circuit board terminal blocks, allow customers to easily monitor and understand circuit conditions. The LED holders are available both with and without marker carriers.

LED holders may be used with the following printed circuit board terminal blocks: LP 5.08/90, LPP 5.08/90, LP 2N/5.08, LP 2H/5.08, and LP 2HR/5.08.

Quantity	Type	For use with:	Part No.
2	LPA FA 2	LP 5.08/90 and LPP 5.08/90	149596
3	LPA FA 3	LP 5.08/90 and LPP 5.08/90	149606
2	LPA FA 2 BZ	LP 5.08/90 and LPP 5.08/90	149616
3	LPA FA 3 BZ	LP 5.08/90 and LPP 5.08/90	149626
2	LPKN FA 2	LP 2N/5.08	149646
3	LPKN FA 3	LP 2N/5.08	149656
2	LPKN FA 2 BZ	LP 2N/5.08	149666
3	LPKN FA 3 BZ	LP 2N/5.08	149676
2	LPKH FA 2	LP 2H/5.08	149686
3	LPKH FA 3	LP 2H/5.08	149696
2	LPKH FA 2 BZ	LP 2H/5.08	149706
3	LPKH FA 3 BZ	LP 2H/5.08	149716

## Disconnect Elements

Disconnect elements may be used with single, double, or triple-level printed circuit board terminal blocks. They attach to the back of 5.08 mm pitch, 90°, single-level terminal blocks and may be dovetailed together up to a maximum of 24 poles. With other terminal blocks, the disconnect elements are single stand-alone elements.



Terminal Block Type	Disconnect Element Type	Part No.
LP 5.00/90	LPA TR OG	149556
LP 5.00/135	LPA TR OG	149556
LPP 5.00/90	LPA TR OG	149556
LP 2N/5.00	LPK TR OG	149566
LP 5.08/90	LPA TR OG	149556
LP 5.08/135	LPA TR OG	149556
LPP 5.08/90	LPA TR OG	149556
LP 2N/5.08	LPK TR OG	149566
LP 2H/5.08	LPK TR OG	149566
LP 2HR/5.08	LPK TR OG	149566
LP 3R/5.08	LPK TR OG	149566
LP 7.50/90	LPA TR OG	149556
LPP 7.50/90	LPA TR OG	149556
LP 7.50/135	LPA TR OG	149556
LP 7.62/90	LPA TR OG	149556
LP 7.62/135	LPA TR OG	149556

## Screwdrivers



Type	Part No.
SDI 0.6 x 3.5 x 100	903707
SDI 1.0 x 5.5 x 125	903709

## Test Plugs

Test plugs make it possible to attach test equipment. Several Weidmüller printed circuit board terminal blocks have built-in test points which will accept the PS 2.0 test plugs.

The following printed circuit board terminal blocks have built-in test points:

LPP 5.00/90, LP 5.00/135, LPP 5.08/90, LP 5.08/135, LPP 7.50/90, LP 7.50/135, LP 7.62/135, and GSE 10.



Type	Wire Size	Part No.
PS 2.0	up to #18 AWG	31000