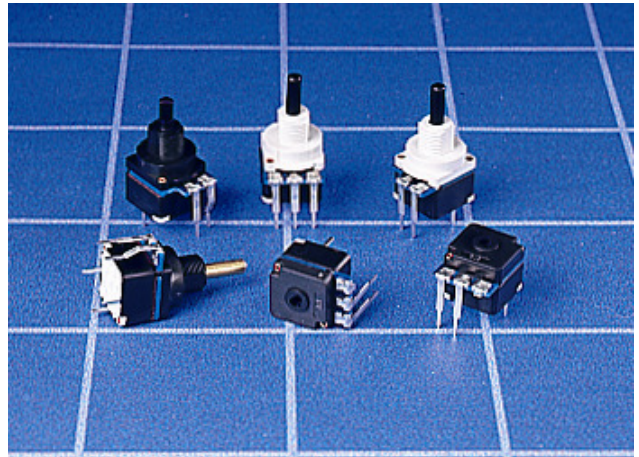


MDSP PUSH-PUSH POTENTIOMETER SWITCH

GENERAL ELECTRICAL & MECHANICAL SPECIFICATION

Switch Rating:	10A @ 250Vac (resistive)
Life:	>25,000 Cycles
Operating Temperature:	-25 ° C to +100 ° C
Proof Voltage:	2,500Vac (Initial)
Insulation Resistance:	>999 MΩ @ 500Vdc (Initial)
Resistance Values:	10K – 1.5MΩ
Track Rating:	0.2W
Resistance Curve:	Linear
Switch Function:	1- pole changeover
Switch Travel:	3mm
Switch Operation Force:	15N (Nominal)
Rotational angle:	270°
Operating Torque:	0.2-0.6Ncm (Standard) 0.8-1.5Ncm (Tactile version)
End Stop Torque:	40Ncm (minimum)
Fixing Nut Torque:	1.1Nm (maximum)
Perm. Axial Load:	50N (maximum)
Spindle:	Polyamide 6.6 G.F. HB Rated
Housing:	Polyamide 6.6 G.F. V0 Rated
Terminals:	Switch: Brass CZ108 Sn Plated. Potentiometer : Mild Steel Sn plated

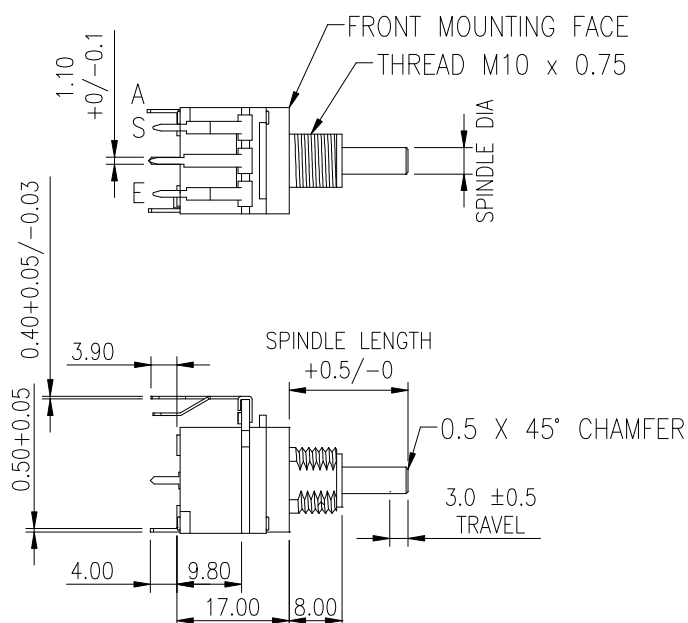
RoHS COMPLIANT



ENEC Approved to EN61058 by VDE

GENERAL FEATURES

- Made in UK.
- Push-Push switches with rotary potentiometer in common housing.
- Printed circuit terminals.
- Used in domestic lighting dimmer controls.
- Moulded components are in UL 94V-0 rated materials.
- Wide range of resistance values available.
- **Options also available include:-**
 - Ø4.0 Metal spindle
 - Tactile Feel version (7.5° Index)
 - Alternate Switch forces available
 - AS & ES Termination available
 - Non-Linear
 - M10 x 1.0mm Bush Thread

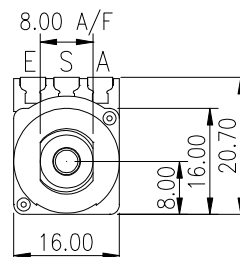


SPINDLE SIZES AVAILABLE

- 1 = Ø4.0 +0/-0.03
- 2 = Ø6.0 +0.00/-0.03

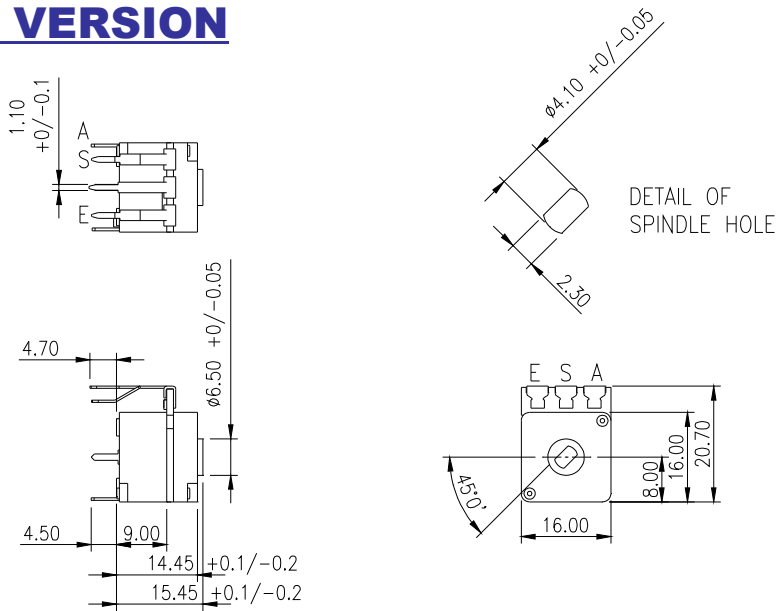
CLOCKWISE ROTATION

- 0 – max Ohms = AS
- Max – 0 Ohms = ES

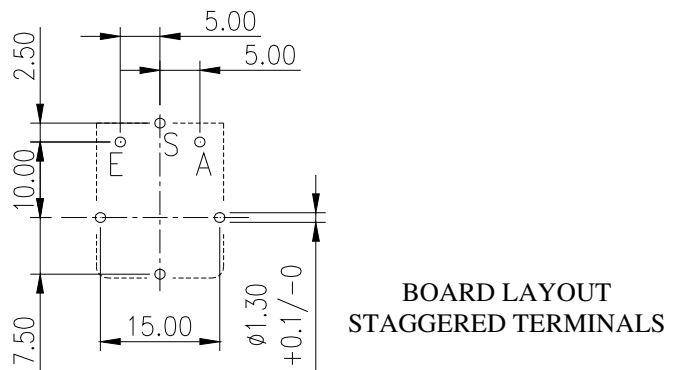
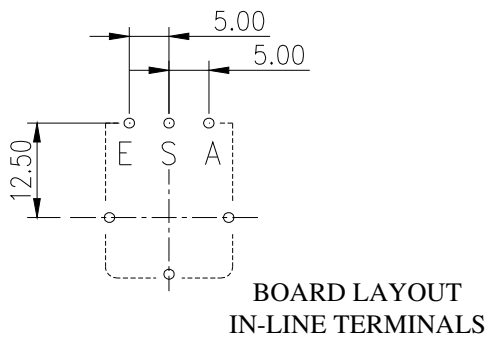


MDSP PUSH BUTTON DIMMER SWITCHES

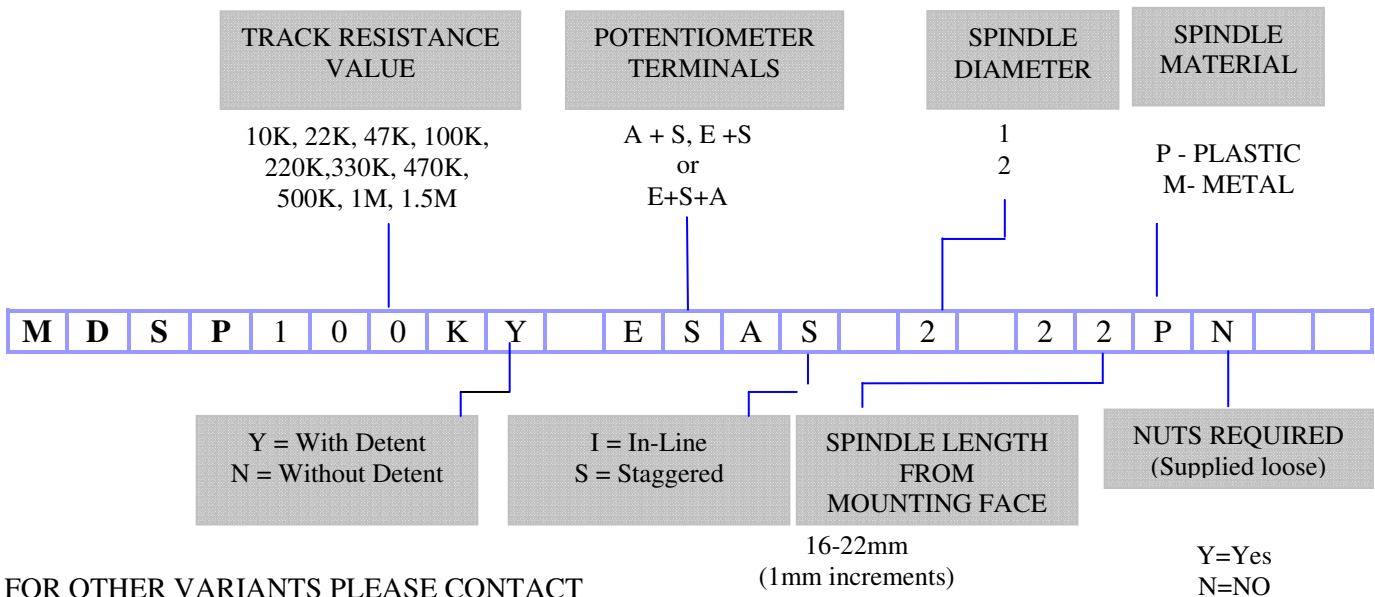
NO BUSH VERSION



TYPICAL PCB LAYOUT



ORDERING CODE



FOR OTHER VARIANTS PLEASE CONTACT OUR SALES OFFICE.

Mouser Electronics

Authorized Distributor

Click to View Pricing, Inventory, Delivery & Lifecycle Information:

[Lorlin:](#)

[MDSP5833](#) [MDSP5838](#) [MDSP5837](#) [MDSP5831](#) [MDSP5839](#) [MDSP5840](#) [MDSP5830](#)