

- NOTES:
- APPLIES TO CIRCUIT NUMBER:1,17,34,35,51,68.
 - APPLIES TO CIRCUIT NUMBER:36,67.
 - APPLIES TO CIRCUIT NUMBER:THE OTHERS.
 - COPLANARITY BETWEEN SOLDER TAILS IS 0.10mm MAX.
 - TRUE POSITION BETWEEN SOLDER TAILS IS 0.15 mm MAX.
 - PRODUCT SPEC : PS-67160-011.
 - FINISH:
SELECTIVE GOLD (Au) IN CONTACT AREA, THICKNESS=0.38 MICROMETER MINIMUM,
SELECTIVE PURE TIN IN SOLDER TAIL AREA, THICKNESS=2.50 MICROMETER MINIMUM,
NICKEL (Ni) OVERALL.
 - THE PACKAGE OF 67130-0802 PER PK-67130-002, 67130-0809 PER PK-67130-001.
 - PRODUCT COMPLIANT TO RoHS DIRECTIVE 2002/95/EC AND ELV 2000/53/EC.

67130-0809	W MYLAR	T&R
67130-0802	W/O MYLAR	TRAY
PART NUMBER	DESCRIPTION	PACKAGE

REVISED	DESCRIPTION
EC NO: SH2009-0192	
DRWN:XQZHANG	2008/09/25
CHKD:XJSONG	2008/09/29
APPR:HWANG	2008/10/27
REV	

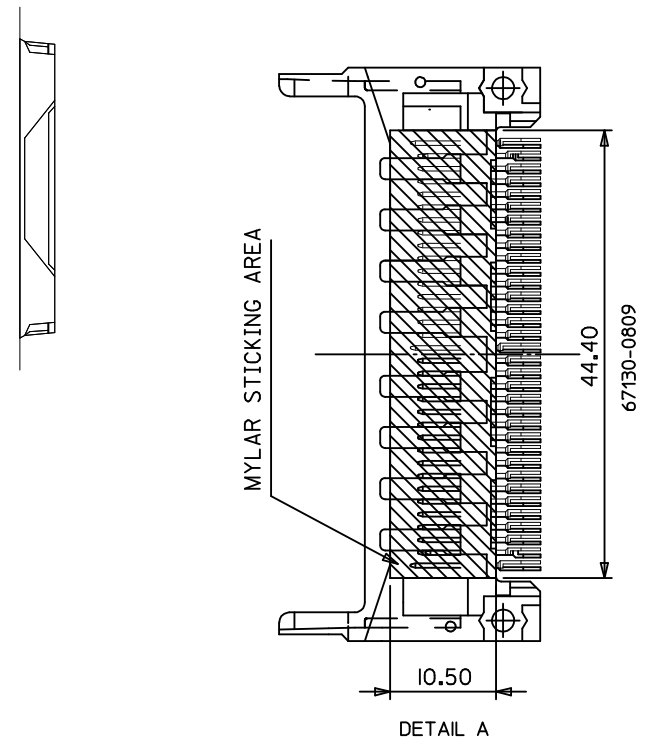
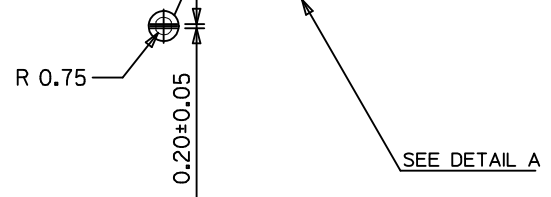
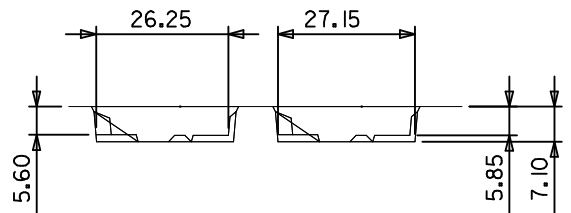
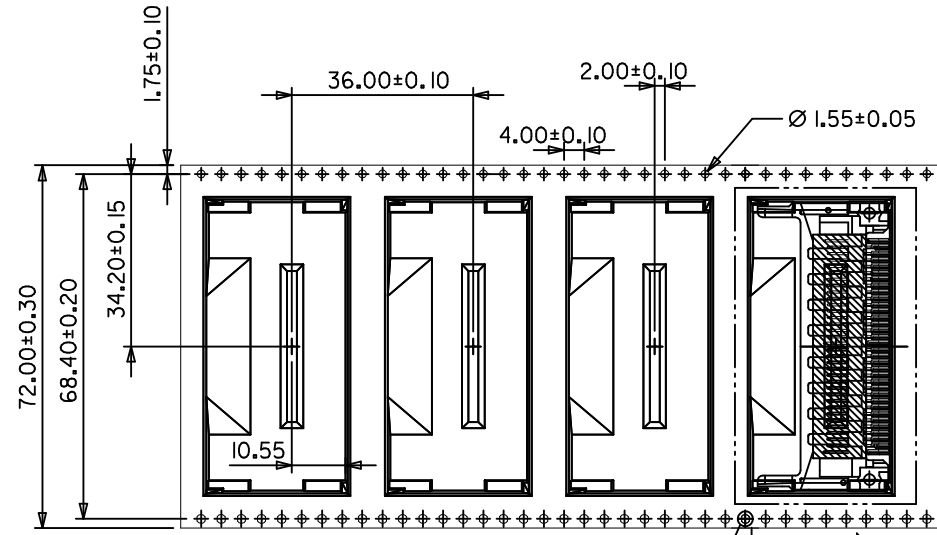
QUALITY SYMBOLS	GENERAL TOLERANCES (UNLESS SPECIFIED)
▽=0	mm INCH
∇=0	4 PLACES ± --- ± ---
	3 PLACES ± --- ± ---
	2 PLACES ± 0.25 ± .010
	1 PLACE ± 0.25 ± .010
	ANGULAR ± 3 °
	DRAFT WHERE APPLICABLE MUST REMAIN WITHIN DIMENSIONS

DRAWN BY	DATE	TITLE
JACK	2004/11/13	
CHECKED BY	DATE	
HWANG	2004/11/14	
APPROVED BY	DATE	
YTAP	2004/11/14	
MATERIAL NO.	DOCUMENT NO.	SHEET NO.
SEE TABLE	SD-67130-005	1 OF 2

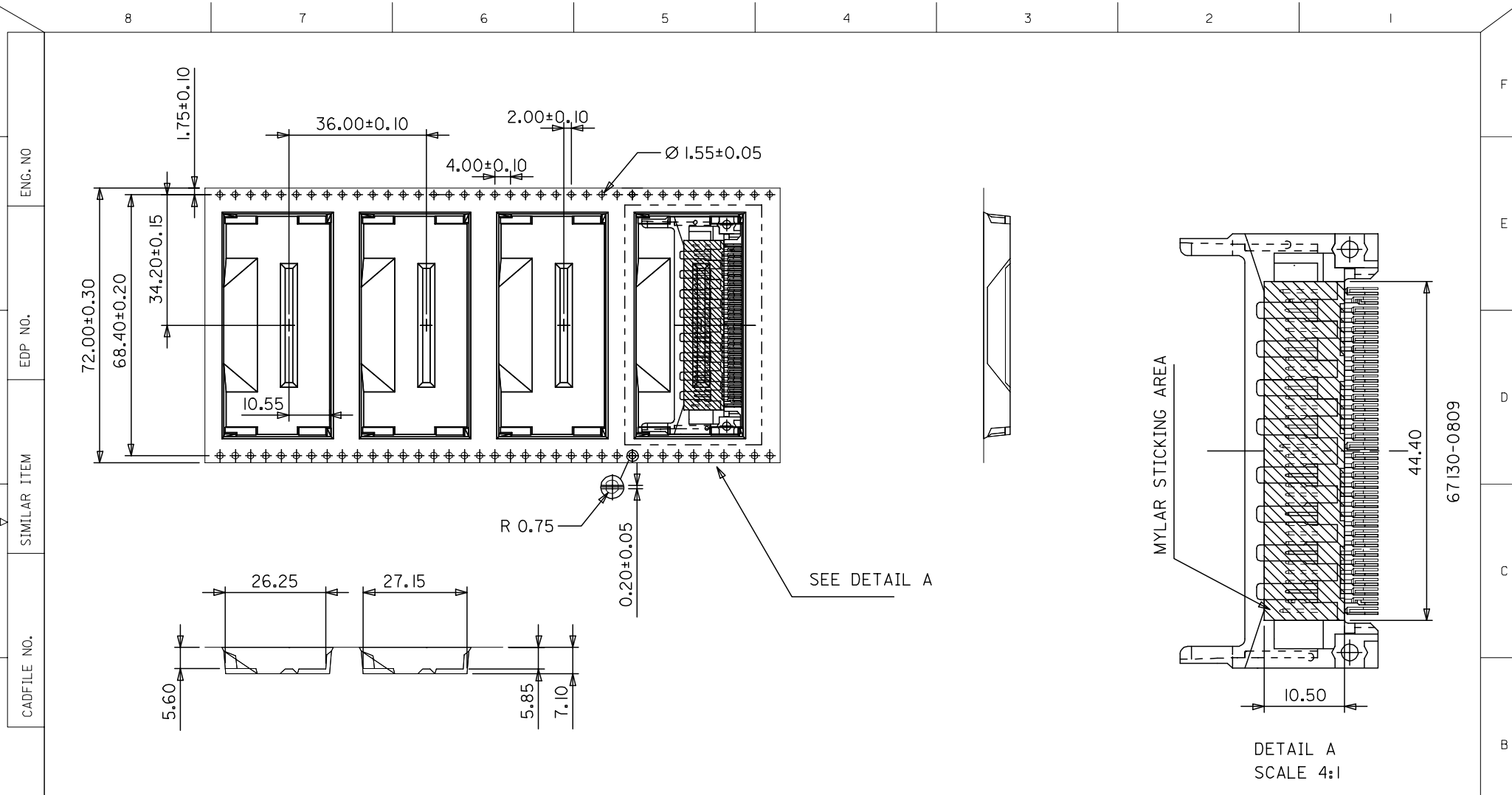
PC CARD HEADER ASS'Y
LEAD-FREE FOR 3.3V SMT
STANDARD TYPE

MOLEX INCORPORATED

THIS DRAWING CONTAINS INFORMATION THAT IS PROPRIETARY TO MOLEX INCORPORATED AND SHOULD NOT BE USED WITHOUT WRITTEN PERMISSION



REVISED EC NO: SH2009-0192 DRWN: XZ/HANG 2008/09/25 CHKD: XJ/SONG 2008/09/29 APPR: HW/WANG 2008/10/27	QUALITY SYMBOLS ▽=0 ◻=0	GENERAL TOLERANCES (UNLESS SPECIFIED) <table border="1"> <thead> <tr> <th></th> <th>mm</th> <th>INCH</th> </tr> </thead> <tbody> <tr> <td>4 PLACES</td> <td>± ---</td> <td>± ---</td> </tr> <tr> <td>3 PLACES</td> <td>± ---</td> <td>± ---</td> </tr> <tr> <td>2 PLACES</td> <td>± 0.25</td> <td>± .010</td> </tr> <tr> <td>1 PLACE</td> <td>± 0.25</td> <td>± .010</td> </tr> <tr> <td colspan="3">ANGULAR ± 3°</td> </tr> </tbody> </table>		mm	INCH	4 PLACES	± ---	± ---	3 PLACES	± ---	± ---	2 PLACES	± 0.25	± .010	1 PLACE	± 0.25	± .010	ANGULAR ± 3°			DIMENSION STYLE MM ONLY	SCALE 1:1	DESIGN UNITS METRIC	THIRD ANGLE PROJECTION
		mm	INCH																					
	4 PLACES	± ---	± ---																					
	3 PLACES	± ---	± ---																					
2 PLACES	± 0.25	± .010																						
1 PLACE	± 0.25	± .010																						
ANGULAR ± 3°																								
DESCRIPTION REV	DRAFT WHERE APPLICABLE MUST REMAIN WITHIN DIMENSIONS	DRAWN BY JACK DATE 2004/11/13	CHECKED BY HWWANG DATE 2004/11/14	TITLE PC CARD HEADER ASS'Y LEAD-FREE FOR 3.3V SMT STANDARD TYPE																				
		APPROVED BY YTYAP DATE 2004/11/14	MATERIAL NO. SEE SHEET 1	MOLEX INCORPORATED																				
			DOCUMENT NO. SD-67130-005	SHEET NO. 2 OF 2																				



DO NOT SCALE DRAWING

NEW RELEASE	QUALITY SYMBOLS MAJOR = 0 CRITICAL = 0	GENERAL TOLERANCES: (UNLESS SPECIFIED)		SCALE	DESIGN UNITS	THIRD ANGLE PROJECTION	DIMENSIONS:		SHT	REV
		4 PLACES	± .	±.	2:1		<input checked="" type="checkbox"/> mm <input type="checkbox"/> INCH	<input type="checkbox"/> mm <input type="checkbox"/> INCH	<input checked="" type="checkbox"/> mm ONLY	
EC NO. DRWN: JACK ZHANG 2004/11/12	DESCRIPTION	3 PLACES	± .	±.	DRAWN BY & DATE JACK ZHANG 2004/11/12	TITLE: PC CARD HEADER ASS'Y FOR 3.3V SMT STANDARD TYPE (LEAD-FREE)	MATERIAL NO.		DRAWING NO.	SHEET NO.
CHK: APPR:		2 PLACES	±0.25	±.	CHECKED BY & DATE		SEE TABLE		SD-67130-005	2 / 2
A	REV	1 PLACE	±0.25	±.	APPROVED BY & DATE	MOLEX INCORPORATED				SIZE A3
		ANGULAR: ±3°		CAD FILENAME		THIS DRAWING CONTAINS INFORMATION THAT IS PROPRIETARY TO MOLEX INCORPORATED AND SHOULD NOT BE USED WITHOUT WRITTEN PERMISSION.				
		DRAFT WHERE APPLICABLE MUST REMAIN WITHIN DIMENSIONS								