

**80**mm sq.

# San Ace 80

20mm thick  
25mm thick, 38mm thick, 42mm thick



## General Specifications

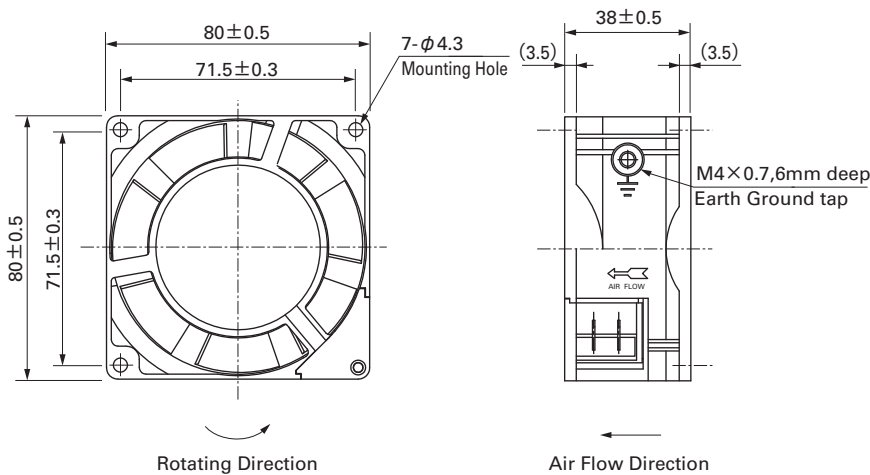
- Material..... Frame: Aluminum, Impeller:Plastics (Flammability: UL94V-1)
- Life Expectancy .....Varies for each model (L10:Survival rate: 90% at 60°C , rated voltage,and continuously run in a free air state)
- Dielectric Strength ..... 50/60Hz 1,500VAC 1minute (between input terminal and frame or between lead conductor and frame)
- Storage Temperature .....-30°C to +70°C (Non-condensing)

**80×80×38mm** (Mass : 400g)

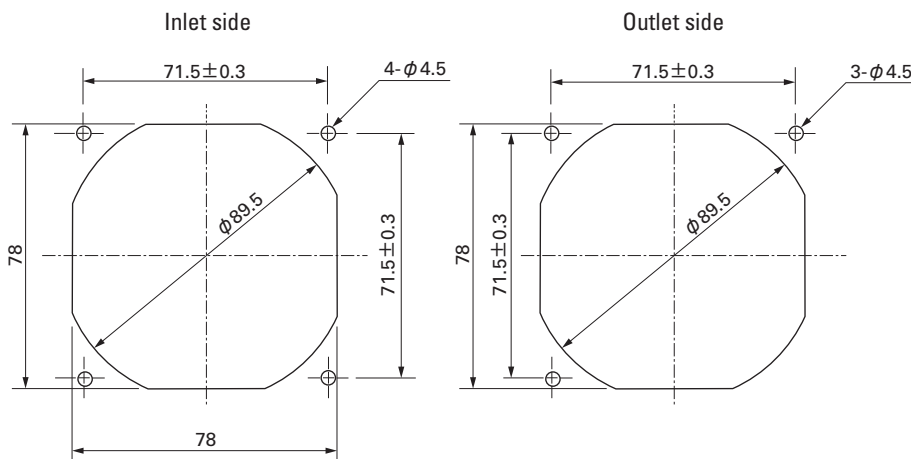
## Specifications

| Model No. | Voltage [V] | Frequency [Hz] | Input [W] | Current [A] | Locked Rotor Current [A] | Rated Speed [min <sup>-1</sup> ] | Air Flow [m <sup>3</sup> /min] [CFM] | Static Pressure [Pa] [inchH <sub>2</sub> O] | SPL [dB(A)] | Operating Temperature [°C] | Life Expectancy [h] |
|-----------|-------------|----------------|-----------|-------------|--------------------------|----------------------------------|--------------------------------------|---|-------------|----------------------------|---------------------|
| 109-150   | 100         | 50/60          | 9/8       | 0.13/0.11   | 0.17/0.15                | 2,700/3,150                      | 0.9/1.05 31.8/37.1                   | 31.4/44.1 0.126/0.177                       | 35/39       | -30 to +60                 | 25,000              |
| 109-153   | 115         |                |           | 0.11/0.1    | 0.14/0.12                |                                  |                                      |   |             |                            |                     |
| 109-151   | 200         |                |           | 0.07/0.06   | 0.09/0.08                |                                  |                                      |   |             |                            |                     |
| 109-154   | 230         |                |           | 0.06/0.05   | 0.08/0.07                |                                  |                                      |   |             |                            |                     |

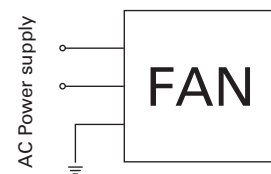
## Dimensions (Unit : mm)



## Reference dimension of mounting holes and vent opening (Unit : mm)



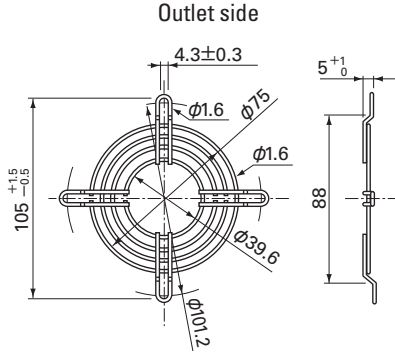
## Wiring diagram



Options (Unit : mm)

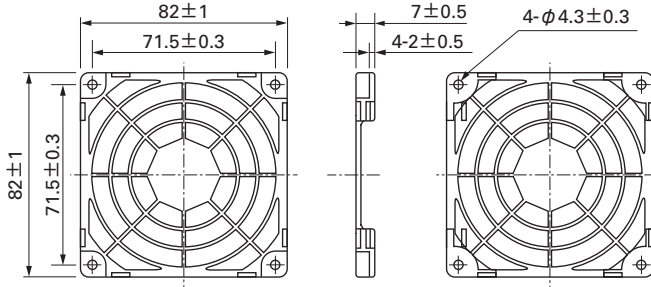
Finger guards

Model : 109-049C Color Surface treatment : Nickel-chrome plating (silver)



Resin finger guards

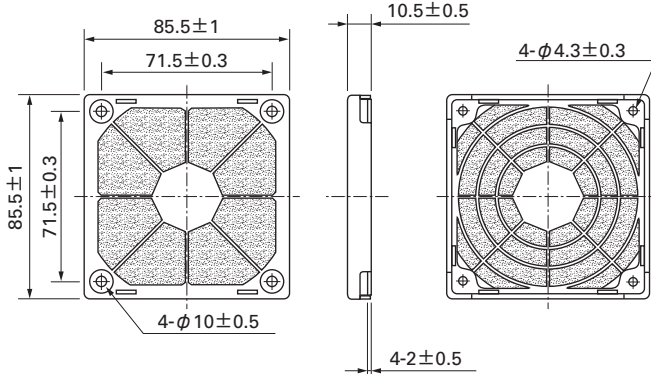
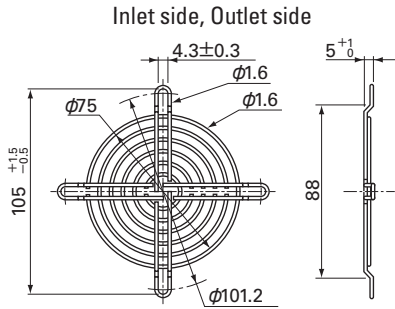
Model : 109-1002G



Model : 109-049E Color Surface treatment : Nickel-chrome plating (silver) : 109-049H : Cation electropainting (black)

Resin filter kits

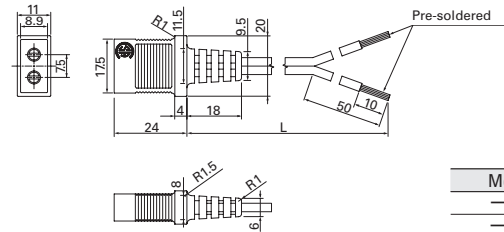
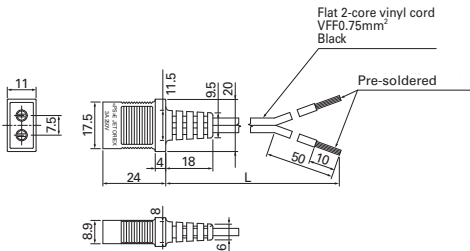
Model : 109-1002F13 (13PPI), 109-1002F20 (20PPI) : 109-1002F30 (30PPI), 109-1002F40 (40PPI)



Plug cord

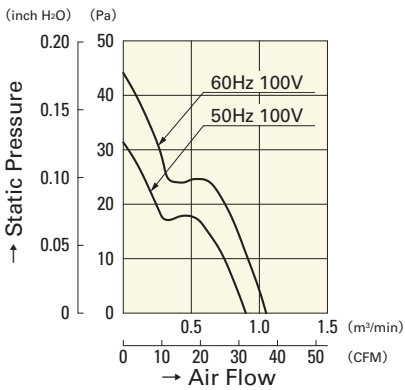
(Products compliant with Electrical Appliance and Material Safety Law) Model : 489-016-L10/489-016-L21

(UL/CSA CERTIFIED) UL FILE No.E50197 CSA FILE No.LR67048 Model : 489-047-L10/489-047-L21



| Model | Power cord length(mm) |
|-------|-----------------------|
| - L10 | 1,000                 |
| - L21 | 2,100                 |

Air Flow and Static Pressure Characteristics



- 109-150
- 109-153
- 109-151
- 109-154