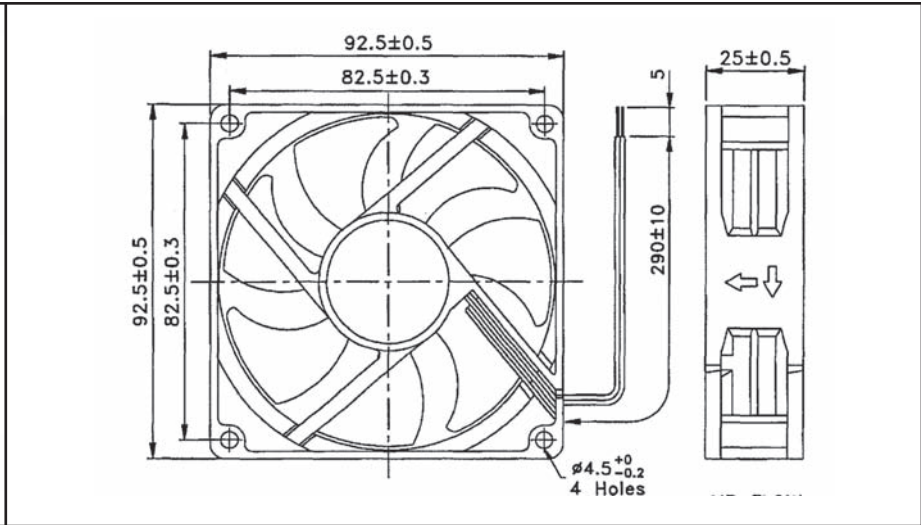


# OD9225 Series



DC Fan - 12V & 24V  
92x25 (3.62"x 1.00")



Frame & Impeller	PBT, UL94V-O plastic	<b>Available Options:</b> Tachometer (FG) Alarm (RD) Thermal Control Sleeve Bearing 05V Extra Low Speed (LL)  <u>Life Expectancy (L10)</u> Ball Bearing 60,000 hours (L10 at 40C)  <u>Operating Temperature</u> Ball Bearing -20C ~ +80C	
Connection	2x Lead wires		
Motor	Brushless DC, auto restart, polarity protected		
Bearing System	Dual Ball		
Insulation Resistance	10M ohm between leadwire and frame (500VDC)		
Dielectric Strength	1 second at 500 VAC, max leakage - 500 MicroAmp		
Storage Temperature	-30C ~ +90C	m1	

Model Number	Speed (RPM)	Airflow (CFM)	Noise (dB)	Volts DC	Voltage Range	Amps	Max. Static Pressure (H2O)
OD9225-12HHB	3300	60	40	12	7~17	0.29	0.17
OD9225-12HB	2900	53	35	12	7~17	0.25	0.13
OD9225-12MB	2400	44	31	12	7~17	0.17	0.09
OD9225-12LB	2100	39	28	12	7~17	0.13	0.07
OD9225-24HB	2900	53	35	24	12~28	0.15	0.13
OD9225-24MB	2400	44	31	24	12~28	0.12	0.09
OD9225-24LB	2100	39	28	24	12~28	0.08	0.07
OD9225-48HB	2800	50	33	48	32~56	0.09	0.24

# Mouser Electronics

Authorized Distributor

Click to View Pricing, Inventory, Delivery & Lifecycle Information:

## Orion Fans:

[OD9225-24HB-02](#) [OD9225-24MS](#) [OD9225-24HS](#) [OD9225-24LS](#) [OD9225-12LS](#) [OD9225-12MS](#) [OD9225-24HB01](#)  
[OD9225-48LB](#) [OD9225-48MB](#) [OD9225-12HB-01A](#)