

max. 206 m<sup>3</sup>/h

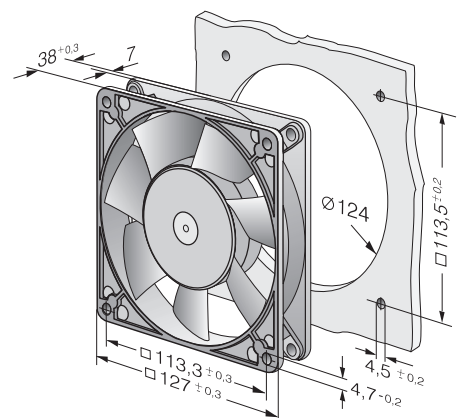
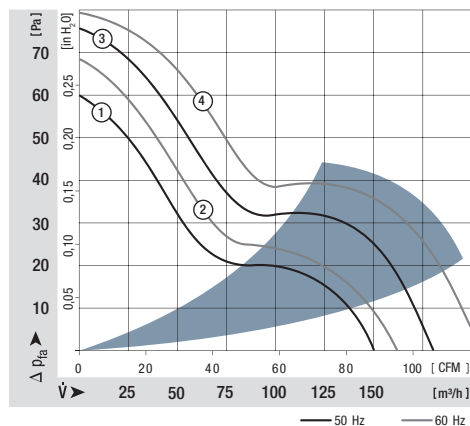
# AC axial fans

Series 5900 127 x 127 x 38 mm



- AC fans with internal rotor shaded-pole motor. Impedance protected against overloading.
- Metal fan housing and impeller of fibreglass-reinforced plastic PA.
- Air exhaust over struts. Direction of rotation counter-clockwise, seen on rotor.
- Electrical connection via 2 flat plugs 2.8 x 0.8 mm.
- Fan housing with grounding lug and screw M4 x 6.
- Mass: 570 g.
- Please note our new ACmaxx series. With identical mounting dimensions and voltages, this series achieves higher energy efficiency.

Nominal data		Air flow	Air flow	Nominal voltage	Frequency	Sound pressure level	Sound power level	Sinter sleeve bearings Ball bearings	Power input	Nominal speed	Temperature range	Service life L <sub>10</sub> at 40 °C	at T <sub>max</sub>	Curve
Type		m <sup>3</sup> /h	CFM	V	Hz	dB(A)	Bel(A)	■ / □	Watts	RPM	°C	Hours	Hours	
5988		150	88,3	230	50	37	4,9	■	13,0	2 250	-30...+55	35 000 / 20 000		1
5950		180	105,9	230	50	43	5,4	□	18,0	2 700	-20...+50	40 000 / 32 500		3
5958		180	105,9	230	50	44	5,5	■	18,0	2 750	-30...+60	40 000 / 25 000		3
5938		162	95,3	115	60	40	4,9	■	12,0	2 500	-30...+55	35 000 / 20 000		2
5900		206	121,2	115	60	46	5,7	□	17,0	3 050	-20...+55	42 500 / 30 000		4
5908		206	121,2	115	60	47	5,8	■	17,0	3 100	-30...+75	42 500 / 20 000		4



# Mouser Electronics

Authorized Distributor

Click to View Pricing, Inventory, Delivery & Lifecycle Information:

[ebm-papst:](#)

[5900-505](#) [5908-105](#) [5938](#) [5938-118](#) [5950-503](#) [5950W-502](#) [5958-102](#) [5988](#) [5908W](#)