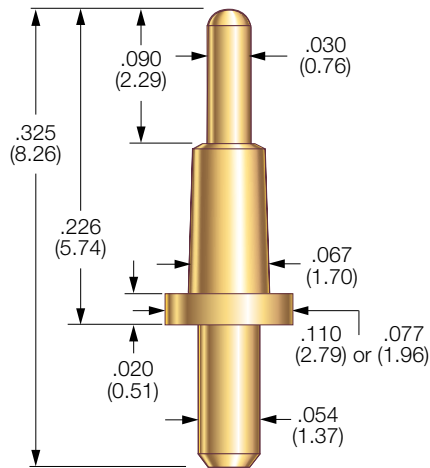


# Battery and Connector Probes

## 101050 PROBE



### PROBE SPECIFICATIONS

**Minimum Centers:** .125 (3.18)  
**Current Rating:** 10 amps continuous  
 (Individual probe in free air @ ambient temperature)  
**Spring Force:** 2.3 oz. (65g) @ .060 (1.52) travel  
**Typical Resistance:** < 10 mΩ  
**Maximum Travel:** .090 (2.29)  
**Working Travel:** .060 (1.52)

### MATERIALS

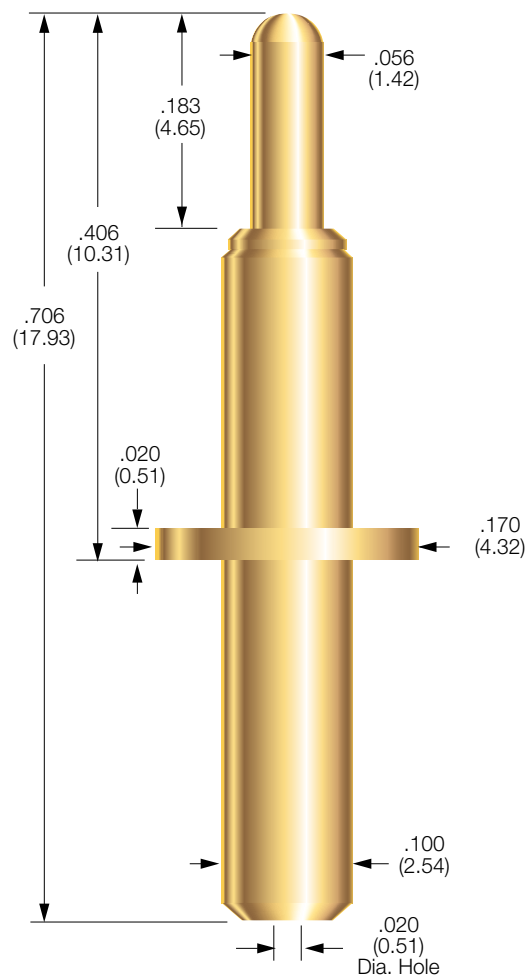
**Barrel:** Nickel/silver, gold plated  
**Spring:** Stainless steel, passivated  
**Plunger:** Beryllium copper, gold plated  
**Ball:** Stainless steel, gold plated

## HOW TO ORDER

101050-003 for .110 dia. flange  
 101050-005 for .077 dia. flange

Specifications subject to change without notice. Dimensions in inches (millimeters)

## 101247 PROBE



### PROBE SPECIFICATIONS

**Minimum Centers:** .200 (5.08)  
**Current Rating:** 20 amps continuous  
 (Individual probe in free air @ ambient temperature)  
**Spring Force:** 11.7 oz. (256g) @ .147 (3.73) travel  
**Typical Resistance:** < 10 mΩ  
**Maximum Travel:** .180 (4.57)  
**Working Travel:** .147 (3.73)

### MATERIALS

**Barrel:** Brass, gold plated  
**Spring:** Stainless steel, passivated  
**Plunger:** Beryllium copper, gold plated

## HOW TO ORDER

101247-001

# Mouser Electronics

Authorized Distributor

Click to View Pricing, Inventory, Delivery & Lifecycle Information:

IDI:

[101050-003](#) [101050-005](#) [101247-001](#)