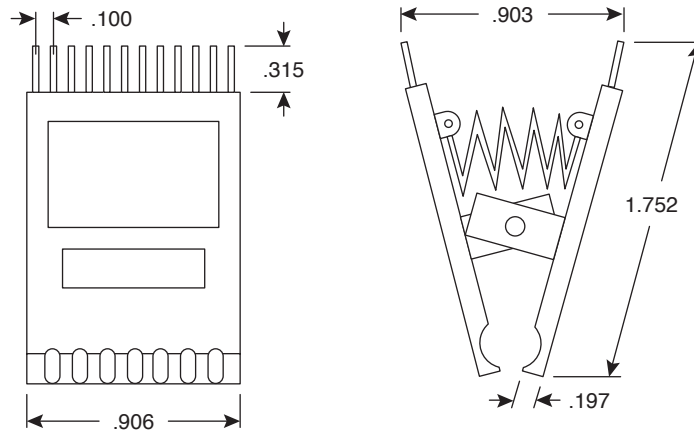
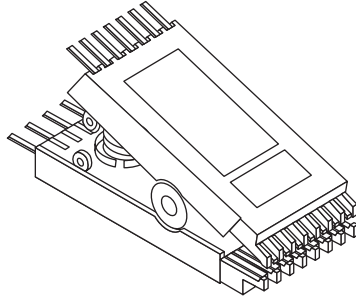


Test Clip

383-R16



Test Clip



Dimensions: In.

SPECIFICATIONS	
Type:	16 pin DIP
Resistance (pin top to end):	< 1mΩ @ 1KHz
Capacitance (pin to pin):	< 1pF @ 1KHz
Body material:	ABS polymer
Contact pin material:	gold plated phosphorus bronze

Date Last Revised: 10-19-05

Available from Mouser Electronics
1-800-346-6873
www.mouser.com

KC- 300808

383-R16