

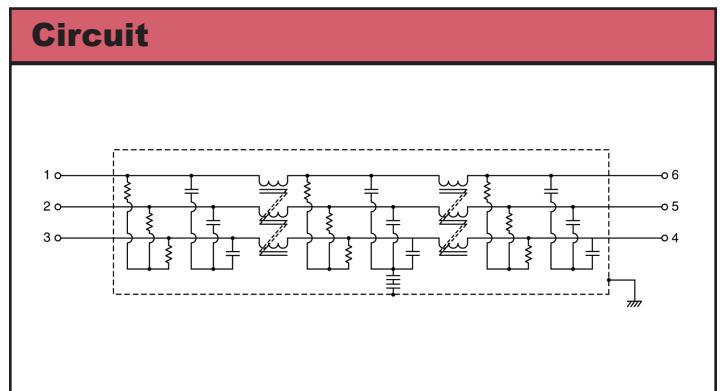
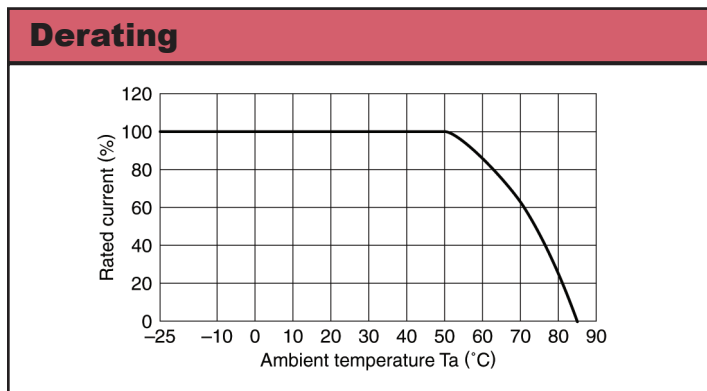
6A to 150A, 500VAC EMI Filters

Features

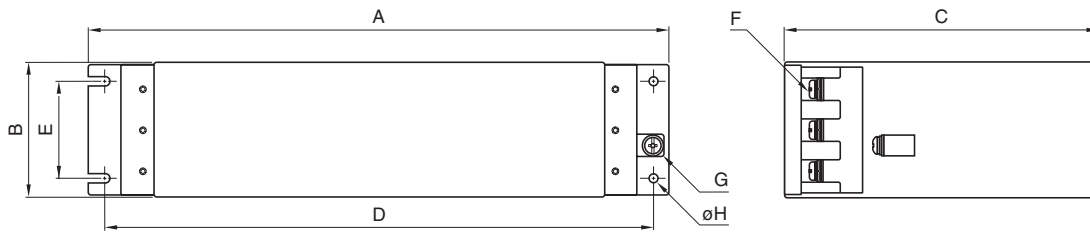
- ◆ Two Stage Filter for Better Performance
- ◆ Narrow Profile
- ◆ Conforms to UL and EN Safety Agency Certifications



Specifications						
Model		RTHB-5006	RTHB-5010	RTHB-5020	RTHB-5030	RTHB-5040
Rated Voltage (AC, DC)	V	500V Three phase				
Rated Current	A	6A	10A	20A	30A	40A
DC Resistance (total)	mΩ	290	120	50	26	20
Model		RTHB-5050	RTHB-5060	RTHB-5080	RTHB-5100	RTHB-5150
Rated Voltage (AC, DC)	V	500V Three phase				
Rated Current	A	50A	60A	80A	100A	150A
DC Resistance (total)	mΩ	14	10	10	8	6
Withstand Voltage	V	Terminals to Case: 2500VAC (1 Minute)				
Isolation Resistance	MΩ	100MΩ minimum (500VDC, 1 Minute)				
Leakage Current (max)	mA	2.5mA at 250VAC 60Hz, 5mA at 500VAC 60Hz				
Operating Temperature	°C	-25 to +85°C (Derate above 50°C, see derating curve)				
Storage Temperature	°C	-25 to +85°C				
Safety Agency Certifications	-	UL1283 & EN60939				
Weight	g	800g to 12000g model dependant (See weights chart on website)				
Warranty	yr	1 Year				



Outline Drawing



Dimensions in mm

Part No.	A	B	C	D	E	F	G	H	Recommended clamping torque
RTHB-5006	210	64	100	200	40	M4	M4	4.5	M4 1.27N m M5 2.5N m M6 4.8N m M8 7.64N m
RTHB-5010									
RTHB-5020	240	64	115	230	40	M4	M4		
RTHB-5030									
RTHB-5040	300	80	140	285	46	M5	M4	5.5	
RTHB-5050									
RTHB-5060									
RTHB-5080	472	100	205	452	63	M8	M6	6.5	
RTHB-5100									
RTHB-5150	534	100	234	514	63	M8	M6	6.5	

For Additional Information, please visit
us.tdk-lambda.com/lp/products/r-series.htm



Mouser Electronics

Authorized Distributor

Click to View Pricing, Inventory, Delivery & Lifecycle Information:

[TDK-Lambda:](#)

[RTHB-5006](#) [RTHB-5010](#) [RTHB-5020](#) [RTHB-5030](#) [RTHB-5040](#) [RTHB-5050](#) [RTHB-5060](#) [RTHB-5080](#) [RTHB-5100](#)
[RTHB-5150](#)