



CONNOR-WINFIELD CORPORATION

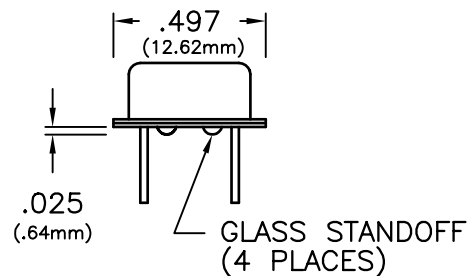
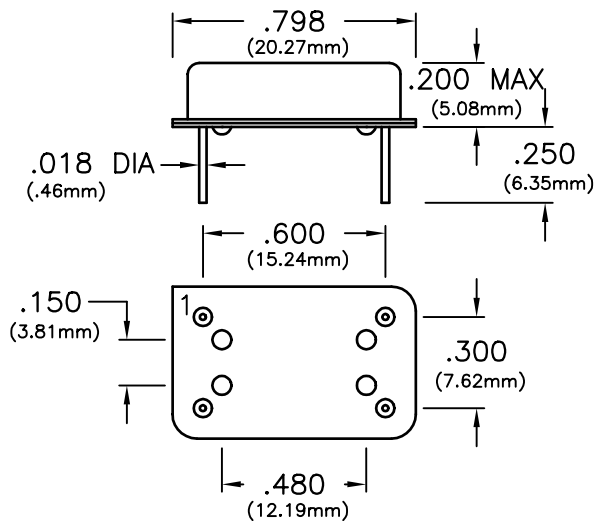
AURORA, IL. 60505

PHONE (630) 851-4722

FAX (630) 851-5040

INDEPENDENT DUAL OUTPUT OSCILLATOR

SPECIFICATIONS	H52DF	H53DF	
Frequency Range	F1: 1.625MHz to 70MHz , F2: 1.625MHz to 70 MHz		
Frequency Stability	±50ppm	±100ppm	
	(Inclusive of calibration tolerance at 25°C, operating temperature range, input voltage change, load change, aging, shock and vibration)		
Temperature Range	0°C to +70°C		
Output	Waveform	HCMOS/TTL Compatible Squarewave	
	Load	50pF	
	Voltage	Voh	4.5V Minimum
		Vol	0.5V Maximum
	Current	Ioh	-16mA
		Iol	16mA
	Duty Cycle	45/55 Maximum measured at 50% level	
Rise/Fall Time	10nS Maximum		
Start Up Time	10mS Maximum		
Supply Voltage	+5Vdc ±10%		
Supply Current	60mA Maximum		
Package	All metal, hermetically sealed welded package		



PIN	CONNECTION
1	OUTPUT: F1
7	GROUND (CASE)
8	OUTPUT: F2
14	Vcc

Dimensional Tolerance ±.005

Specifications subject to change without notice

BULLETIN #: HC108
PAGE 1 OF 1

REV: 00
DATE: 6/21/95

ISSUED BY: _____