



# Molded Case Rotary Potentiometer

# VTW Series

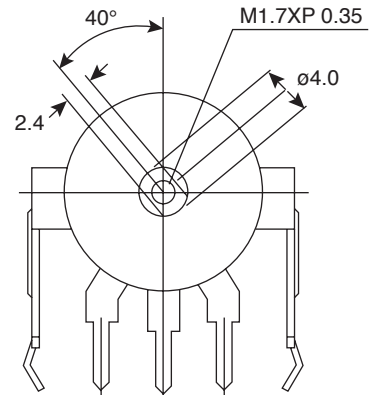
## Specifications:

### Electrical Characteristics:

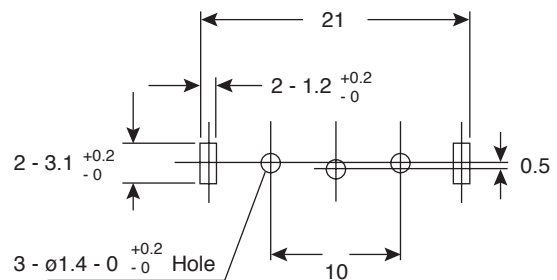
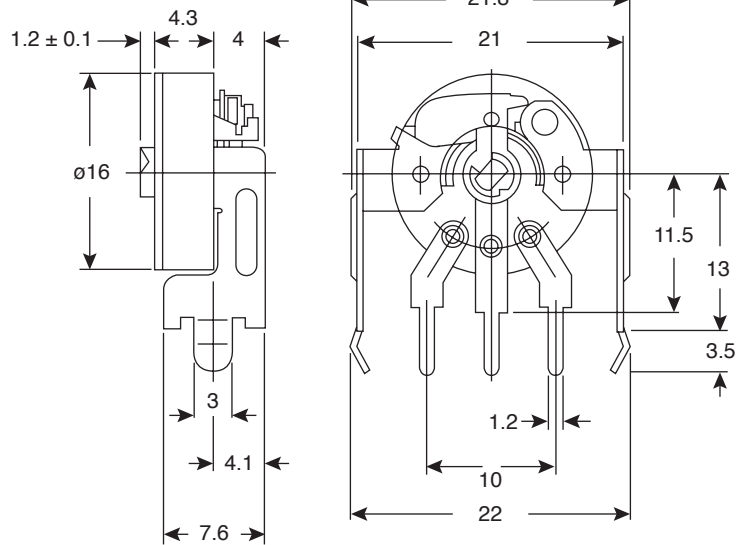
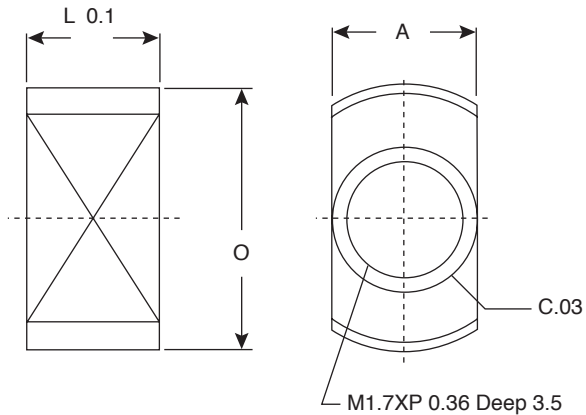
- Total Resistance: 100Ω~ 1MΩ
- Total Resistance Tolerance: ±20%
- Max. Operation Voltage: Linear Taper B: AC 200V
- Rated Power: Linear Taper B: 0.1W
- Sliding Noise: Less than 100 mV
- Insulation Resistance: More than 50 MΩ at DC 500V

### Durability:

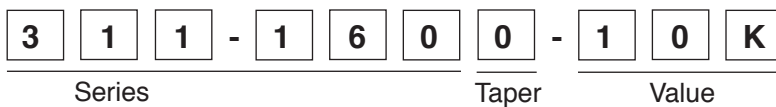
- Rotational Life: 10,000 Cycles



L	1.0~5.0
A	2.2 ± 0/0.1
O	ø4.0



## Part Numbering System:



Taper - 0 Linear  
 - 1 Audio

XICON PASSIVE COMPONENTS • (800) 628-0544



XC-600008

Date Revised: 9/30/05