

AT-CUT CRYSTAL UNIT (SMD • Metal-can Type)

RoHS compliant

HCM49

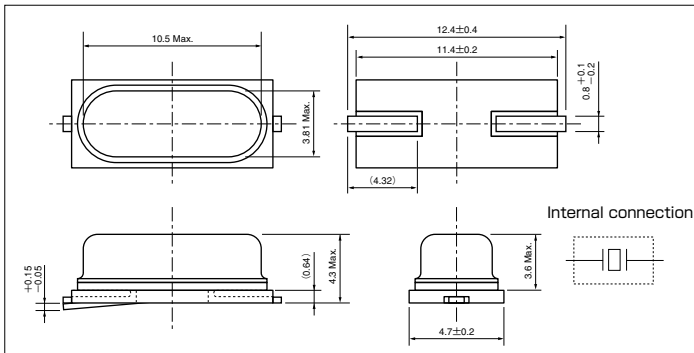
1000pcs/reel



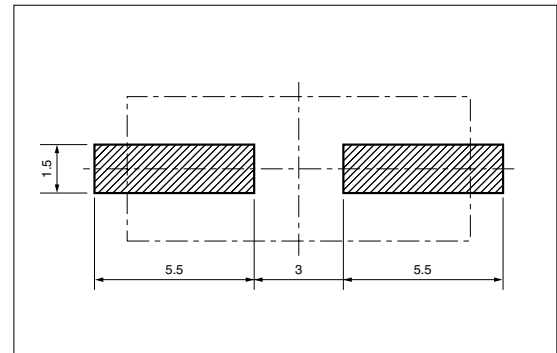
FEATURES

- Surface mount type of metal-can HC-49/U-S. High performance with the resistance weld sealing.
- Suitable for various applications such as communication devices, AV devices and measuring instruments.

DIMENSION [mm]



SOLDER PAD LAYOUT [mm]



STANDARD SPECIFICATIONS

Item	Model	HCM49	Conditions
Nominal Frequency	f ₀	3.5MHz~30.0MHz (Fundamental)	Need to contact us for the available frequency
		30.0MHz~50.0MHz (3rd Overtone)	
Frequency Tolerance	$\Delta f/f_0$	$\pm 30\text{ppm}$	at 25°C
Frequency Tolerance over Operating Temperature Range	$\Delta f/f_0$	below 6.0MHz: $\pm 50\text{ppm}$	-10°C~+60°C
		above 6.0MHz: $\pm 30\text{ppm}$	
Operating Temperature Range	T _{OPR}	-40°C~+85°C	
Storage Temperature Range	T _{STR}	-55°C~+125°C	
Motional (series) resistance	R ₁	Refer to the following table	at 25°C
Load capacitance	C _L	Fundamental:10.0pF~∞ 3rd Overtone:5.0pF~∞	Need to specify your requirement
Shunt capacitance	C ₀	7.0pF Max.	
Level of drive	DL	100 μW	
Insulation Resistance	I _R	500MΩ Min.	DC100V±15V
Aging (first year)	$\Delta f/f_0$	$\pm 5\text{ppm Max.}$	25°C±3°C

MOTIONAL (SERIES) RESISTANCE (R₁)

Frequency Range	3.5MHz≤f ₀ <4.0MHz	4.0MHz≤f ₀ <6.0MHz	6.0MHz≤f ₀ <10MHz	10MHz≤f ₀ <14MHz	14MHz≤f ₀ <30MHz	30MHz≤f ₀ <36MHz	36MHz≤f ₀ ≤50MHz
Mode	Fundamental	Fundamental	Fundamental	Fundamental	Fundamental	3rd Overtone	3rd Overtone
R ₁	200 Ω Max.	150 Ω Max.	100 Ω Max.	80 Ω Max.	50 Ω Max.	140 Ω Max.	100 Ω Max.

Mouser Electronics

Authorized Distributor

Click to View Pricing, Inventory, Delivery & Lifecycle Information:

Citizen:

[HCM49-3.6864MABJ-UT](#) [HCM49-25.000MABJ-UT](#) [HCM49-6.144MABJ-UT](#) [HCM49-17.734475MABJ-UT](#) [HCM49-10.240MABJ-UT](#) [HCM49-15.360MABJ-UT](#) [HCM49-13.500MABJ-UT](#) [HCM49-27.000MABJ-UT](#) [HCM49-24.576MABJ-UT](#) [HCM49-4.096MABJ-UT](#) [HCM49-16.000MABJ-UT](#) [HCM49-9.000MABJ-UT](#) [HCM49-48.000MABJ-UT](#) [HCM49-9.216MABJ-UT](#) [HCM49-16.384MABJ-UT](#) [HCM49-14.31818MABJ-UT](#) [HCM49-5.5296MABJ-UT](#) [HCM49-14.7456MABJ-UT](#) [HCM49-4.194304MABJ-UT](#) [HCM49-30.000MABJ-UT](#) [HCM49-7.680MABJ-UT](#) [HCM49-11.2896MABJ-UT](#) [HCM49-16.5270MABJ-UT](#) [HCM49-15.000MABJ-UT](#) [HCM49-32.000MABJ-UT](#) [HCM49-8.192MABJ-UT](#) [HCM49-50.000MABJ-UT](#) [HCM49-28.224MABJ-UT](#) [HCM49-8.000MABJ-UT](#) [HCM49-18.432MABJ-UT](#) [HCM49-10.000MABJ-UT](#) [HCM49-7.3728MABJ-UT](#) [HCM49-49.152MABJ-UT](#) [HCM49-32.768MABJ-UT](#) [HCM49-20.000MABJ-UT](#) [HCM49-16.000MABJ-UB](#) [HCM49-11.0592MABJ-UT](#) [HCM49-12.000MABJ-UT](#) [HCM49-19.6608MABJ-UT](#) [HCM49-24.000MABJ-UT](#) [HCM49-29.4912MABJ-UT](#) [HCM49-18.000MABJ-UT](#) [HCM49-5.000MABJ-UT](#) [HCM49-3.579545MABJ-UT](#) [HCM49-4.9152MABJ-UT](#) [HCM49-9.8304MABJ-UT](#) [HCM49-40.000MABJ-UT](#) [HCM49-12.288MABJ-UT](#) [HCM49-4.000MABJ-UT](#) [HCM49-22.1184MABJ-UT](#) [HCM49-6.000MABJ-UT](#) [HCM49-12.288MBBIUT](#) [HCM49-14.31818MABKUT](#) [HCM49-14.7456MBBIUT](#) [HCM49-16.000MABKUT](#) [HCM49-16.000MBBIUT](#) [HCM49-16.384MBBIUT](#) [HCM49-20.000MBBIUT](#) [HCM49-20.480MBBCUT](#) [HCM49-24.000MBBIUT](#) [HCM49-25.000MBBIUT](#) [HCM49-28.224MABJUT](#) [HCM49-3.579545MABKUT](#) [HCM49-4.194304MBBJUT](#) [HCM49-4.9152MABKUT](#) [HCM49-6.144MBBIUT](#) [HCM49-9.8304MBBJUT](#) [HCM49-16.000MDAQ-UT](#) [HCM49-11.0592MCCN-UT](#) [HCM49-3.6864MABJ-UB](#) [HCM49-19.6608MABL-UT](#) [HCM49-19.6608MBBE-UT](#) [HCM49-6.000MAAN-UT](#) [HCM49-41.600-MDGQ-UT](#) [HCM49-11.0592MAHK-UT](#) [HCM49-14.31818MBBK-UT](#)