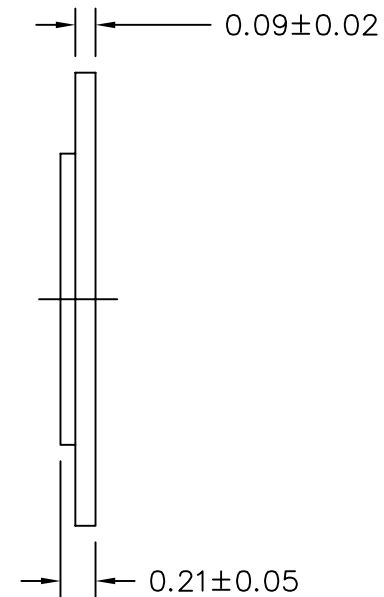
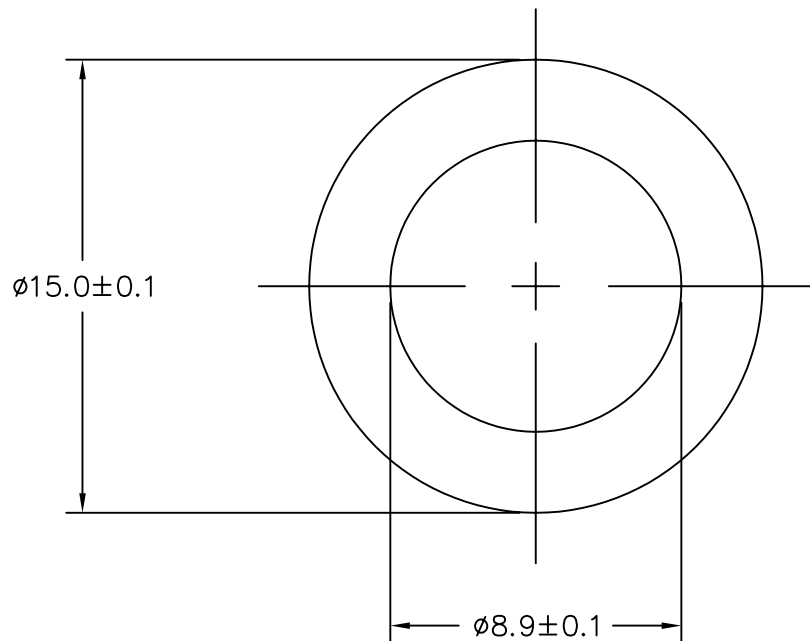


THIS DOCUMENT CONTAINS DATA PROPRIETARY TO PROJECTS UNLIMITED, INC. ANY USE OR REPRODUCTION, IN ANY FORM, WITHOUT PRIOR WRITTEN PERMISSION OF PROJECTS UNLIMITED, INC. IS PROHIBITED.
© 2003, Projects Unlimited Inc.

SPECIFICATIONS

PARAMETERS	VALUES	UNITS
RESONANT FREQUENCY	4,800±500	Hz
RESONANT IMPEDANCE (MAX)	2,000	Ohm
MAX INPUT VOLTAGE	20	Vp-p
CAPACITANCE @ 1KHz	7,500±30%	pF
PLATE MATERIAL	BRASS	-
OPERATING TEMPERATURE	-20 ~ +70	°C
STORAGE TEMPERATURE	-30 ~ +80	°C


REVISIONS			
LTR	DESCRIPTION	DATE	APPROVED
-	RELEASED FROM ENGINEERING	4/8/02	
A	REVISED TO NEW TEMPLATE	8/29/03	R.W.
B	REVISED SPECIFICATIONS	1/8/04	R.W.
C	REVISED DIMENSION SIZE AND STYLE	01/13/06	B.R.



NOTES:

1. ALL DIMENSIONS ARE IN MILLIMETERS.
2. SPECIFICATION SUBJECT TO CHANGE OR WITHDRAWAL WITHOUT NOTICE.

FILE NAME
AB1548B.DWG

UNLESS OTHERWISE SPECIFIED: DIMENSIONS ARE IN MILLIMETERS; TOLERANCES ARE ±0.5 AND ANGLES ARE ±3°.		 projects® unlimited Dayton, Ohio	
APPROVALS		PIEZO CERAMIC BENDER	
DRAWN	DATE	DRAWING NO.	
RABL	4/02	AB1548B	
APPROVED	DATE	SIZE	
S.J.	4/02	A	
DO NOT SCALE DRAWING		SCALE: N.T.S.	SHEET 1 OF 1