

# AKM **AK4180** Touch Screen Controller

**Features:**

- Sampling Frequency: 125kHz(max)
- Pen Pressure Measurement
- On-Chip Thermo Sensor
- Two Auxiliary Analog Inputs
- Direct Battery Measurement
- 4-wire I/F
- On-Chip Voltage Reference(2.5V)
- 12 bit SAR type A/D Converter
- Low Power Consumption (250μA)
- Low Voltage Operation (2.7V - 3.6V)
- Package

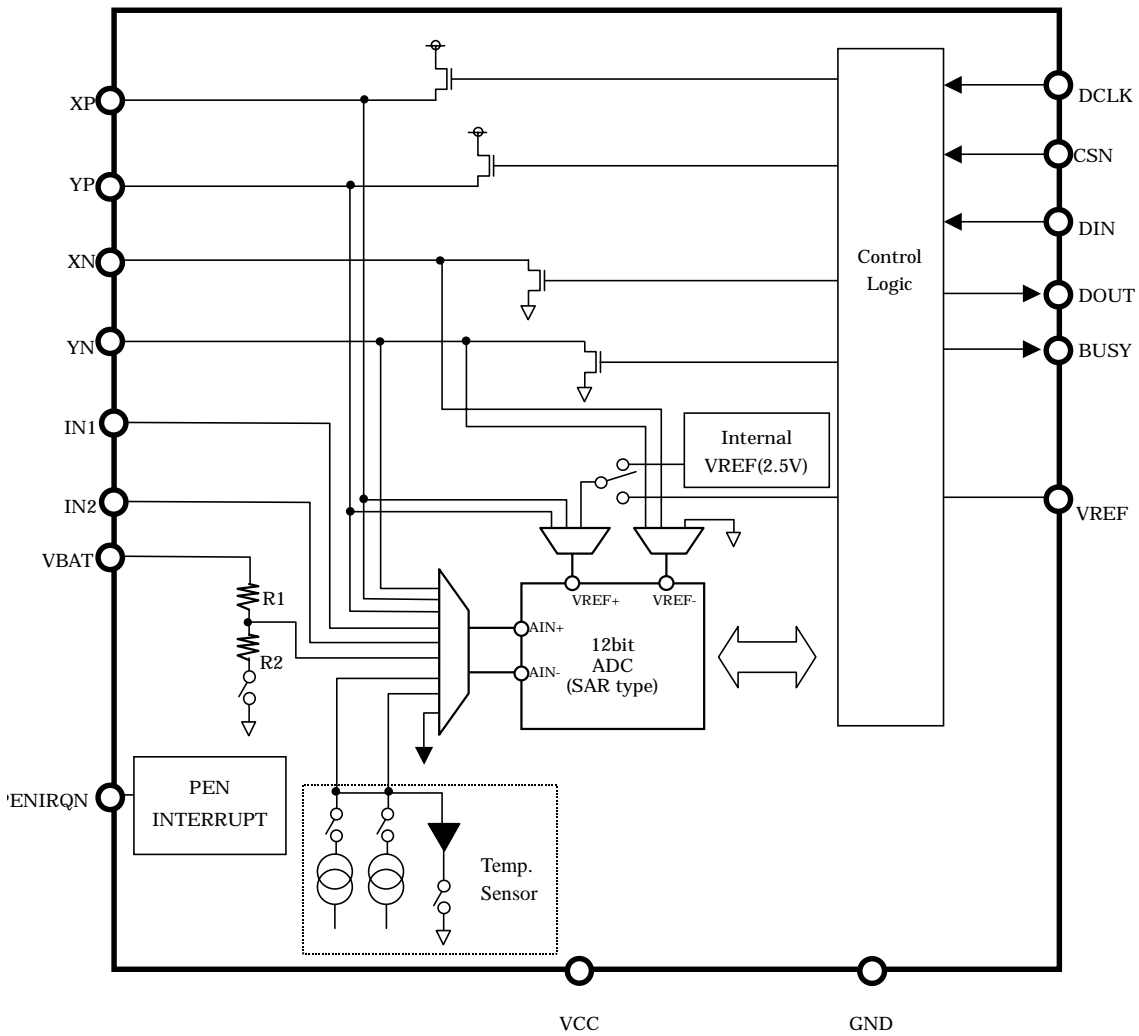
16pin TSSOP

**General Description:**

The AK4180 is a 4-wire touch screen controller that incorporates a 12-bit 125kHz sampling SAR A/D converter. The AK4180 can detect the pressed screen location by performing two A/D conversions. In addition to location, the AK4180 also measures touchscreen pressure.

On-chip VREF can be utilized for two analog auxiliary inputs and battery monitoring, with the ability to measure voltages from 0V to 5V.

The AK4180 also has an on-chip temperature sensor.

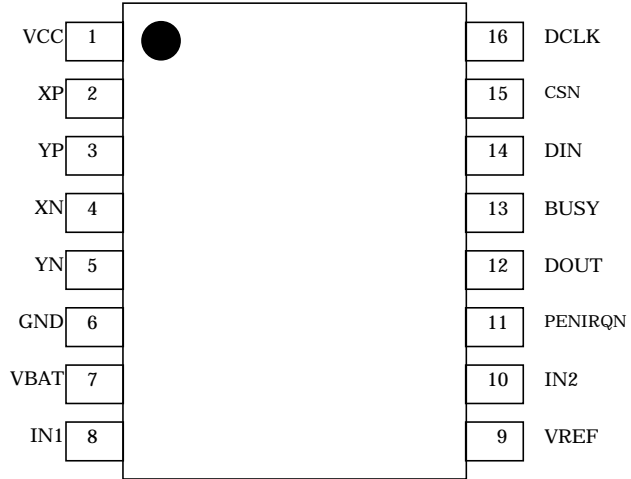


Block Diagram

■ Ordering Guide

AK4180VT      -20°C ~ +70°C      16pinTSSOP

■ Pin Layout



Pin/Function			
No.	Signal Name	I/O	Description
1	VCC	-	Power Supply
2	XP	I/O	Touch Screen X+ plate Voltage supply <ul style="list-style-type: none"> <li>■ X axis Measurement: Supplies the voltage</li> <li>■ Y axis Measurement: This pin is used as the input for the A/D converter</li> <li>■ Pen Pressure Measurement: This pin is the input to the A/D converter at Z1 measurement.</li> <li>■ Temperature/VBAT/IN1/IN2 Measurement: OPEN state</li> <li>■ Powerdown State: is pulled up by an internal resistor (typ.20k ohm).</li> </ul>
3	YP	I/O	Touch Screen Y+ plate Voltage supply <ul style="list-style-type: none"> <li>■ Y axis Measurement: Supplies the voltage</li> <li>■ X axis Measurement: This pin is used as the input for the A/D converter</li> <li>■ Pen Pressure Measurement: Supplies the voltage.</li> <li>■ Temperature/VBAT/IN1/IN2 Measurement: OPEN state</li> <li>■ Powerdown State: OPEN state.</li> </ul>
4	XN	I/O	Touch Screen X- plate Voltage supply <ul style="list-style-type: none"> <li>■ X axis Measurement: Supplies the voltage</li> <li>■ Y axis Measurement: OPEN state</li> <li>■ Pen Pressure Measurement: Supplies the voltage.</li> <li>■ Temperature/VBAT/IN1/IN2 Measurement: OPEN state</li> <li>■ Powerdown State: OPEN state</li> </ul>
5	YN	I/O	Touch Screen Y- plate Voltage supply <ul style="list-style-type: none"> <li>■ Y axis Measurement: Supplies the voltage</li> <li>■ X axis Measurement: OPEN state</li> <li>■ Pen Pressure Measurement: This pin is the input to the A/D converter at Z2 measurement.</li> <li>■ Temperature/VBAT/IN1/IN2 Measurement: OPEN state</li> <li>■ Powerdown State: connected to GND.</li> </ul>
6	GND	-	Ground
7	VBAT	I	Analog Input for Battery Monitor
8	IN1	I	Auxiliary 1 Analog Input
9	VREF	I/O	Voltage Reference Input/Output Outputs 2.5V
10	IN2	I	Auxiliary 2 Analog Input
11	PENIRQN	O	Pen Interrupt Output This pin should be pulled up via a 100k-ohm resistor.
12	DOUT	O	Serial A/D Data Output Outputs A/D data serially at the falling edge of DCLK. MSB is output at the falling edge of BUSY signal. DOUT is "L" at CSN="L" except that A/D data is output. This pin is Hi-Z state at CSN="H"
13	BUSY	O	BUSY Output This pin goes to low at CSN = "L". BUSY signal is "H" only for the period between the falling edge of 8DCLK and the falling edge of 9DCLK. This pin is Hi-Z state at CSN="H"
14	DIN	I	Serial Data Input Inputs 8-bit control command data serially when CSN="L" AK4180 latches at the rising edge of DCLK. Please keep "L" except when issuing commands.
15	CSN	I	Chip Select Input Enables writing to the registers when CSN="L". CSN="H" and DIN="H" force the internal registers to initial value, 00h. (Full Powerdown)
16	DCLK	I	External Clock Input

<b>Absolute Maximum Ratings</b>
---------------------------------

GND=0V

Parameter	Symbol	Min	max	Units
Power Supplies	VCC	-0.3	6.0	V
Input Current (any pins except for supplies)	IIN	-	±10	mA
Input Voltage	VIN	-0.3	6.0(VCC+0.3)	V
Touch Panel Drive Current	IOUTDRV		50	mA
Ambient Temperature (power supplied)	Ta	-20	70	°C
Storage Temperature	Tstg	-65	150	°C

All voltages with respect to ground.

WARNING: Operation at or beyond these limits may result in permanent damage to the device.  
Normal operation is not guaranteed at these extremes.

<b>Recommended Operating Conditions</b>
---

GND=0V

Parameter	Symbol	min	typ	max	Units
Power Supplies	VCC	2.7	3.3	3.6	V

All voltages with respect to ground.

<b>Analog Characteristics</b>				
Ta=-20°C to 70°C, VCC=2.7V, Vref=2.5V, fs=125kHz, MCLK=16*fs				
<b>Parameter</b>	<b>min</b>	<b>typ</b>	<b>Max</b>	<b>Units</b>
<b>ADC for Touch Screen</b>				
Resolution		12		Bits
No Missing Code	10	12		Bits
Integral Linearity Error			±5	LSB
Analog Input Voltage Range	0		Vref	V
Offset Error	0		20	LSB
Gain Error	-12		0	LSB
Touch Panel Driver				
X+, Y+, RL=300Ω		5		Ω
X-, Y-, RL=300Ω		5		Ω
PSRR		70		dB
<b>Reference Output</b>				
Internal Reference Voltage@VCC=3.0V, 20°C	2.4	2.5	2.55	V
Load Capacitance	0.1			uF
<b>Reference Input</b>				
Input Voltage Range			VCC	V
Input Impedance	98	196		kΩ
<b>Battery Monitor</b>				
Input Voltage Range			5.0	V
Input Impedance (Battery Measure Mode)		10		kΩ
Accuracy *)		±3		%
<b>Temperature Measurement</b>				
Temperature Range	-20		70	V
Resolution **)		1.6		°C
Accuracy ***)		±3		°C
<b>Power Supply Current</b>				
Normal Mode (Internal VREF OFF)		250	500	μA
Normal Mode (Internal VREF ON)		520	800	μA
Full Power Down		0	10	μA

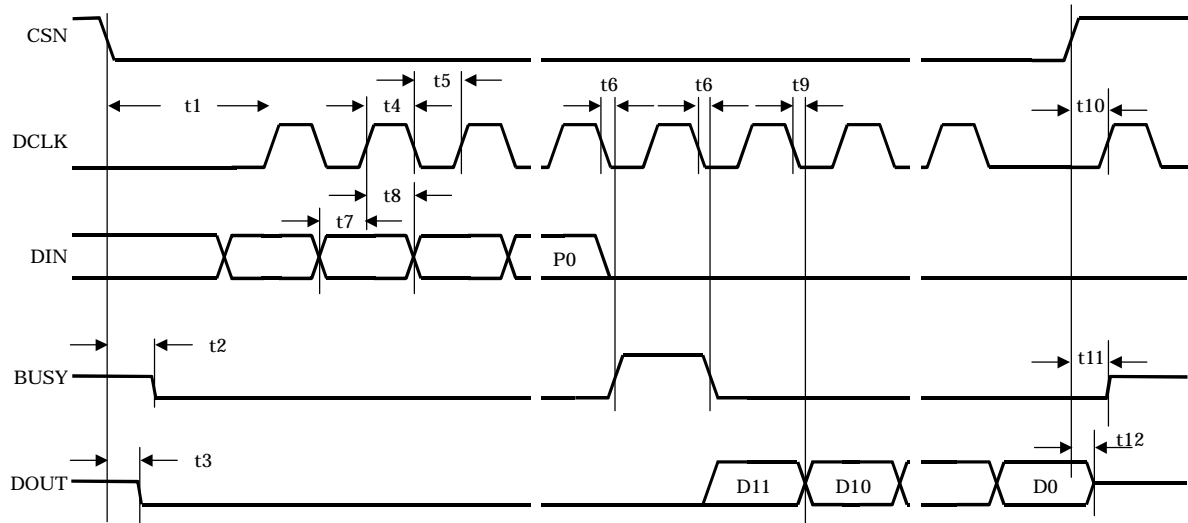
\*) Accuracy is the difference between the output code when 5 volts is input to the VBAT pin and the "ideal" code at 1.25 volts.

\*\*) "ideal" value derived from theory

\*\*) Accuracy is defined as the difference between the voltage measured by two current sources, and the ideal voltage derived from theory at specific temperatures.

DC Characteristics (Logic I/O)					
Ta=-20 to 70°C, VCC=2.7V to 3.6V					
Parameter	Symbol	min	Typ	max	Units
“H” level input voltage	VIH	0.8xVCC	-		V
“L” level input voltage	VIL		-	0.2xVCC	V
Input Leakage Current	IILK	-10		10	uA
“H” level output voltage (@ Iout = -250uA)	VOH	VCC-0.4	-		V
“L” level output voltage (@ Iout= 250uA)	VOL	-	-	0.4	V
Tri-state Leakage Current	IOLK				
All pins except for XP, YP, XN, YN pins		-10		10	uA
XP, YP, XN, YN pins		-50		50	uA
PENIRQN “L” level output voltage (100KΩ Pull-Up)	VOLP			0.8	V

Switching Characteristics					
Ta=-20°C to 70°C, VCC=2.7V to 3.6V					
Parameter	Symbol	min	Typ	max	Units
<b>Touch Panel (A/D Converter)</b>					
Throughput Rate				125	kHz
DCLK frequency	fDCLK	10		2000	kHz
DCLK duty	duty	40	50	60	%
Tracking Time (Rin=600Ω)	tTRK	1.5			us
Conversion Time	tCONV			12	1/fDCLK
CSN “↓” to First DCLK “↑”	t1	100			ns
CSN “↓” to BUSY Tri-State Disabled	t2			200	ns
CSN “↓” to DOUT Tri-State Disabled	t3			200	ns
DCLK High Pulse Width	t4	200			ns
DCLK Low Pulse Width	t5	200			ns
DCLK “↓” to BUSY “↑”	t6			200	ns
Data Setup Time	t7	100			ns
Data Valid to DCLK Hold Time	t8	10			ns
Data Access Time after DCLK “↓”	t9			200	ns
CSN “↑” to DCLK Ignored	t10	0			ns
CSN “↑” to BUSY High-Z state	t11			200	ns
CSN “↑” to DOUT High-Z state	t12			200	ns



AK4180 Timing Diagram

### ■ A/D Converter for Touch Screen

The AK4180 incorporates a 12-bit successive approximation resistor A/D converter for position measurement, temperature, and battery voltage. The architecture is based on capacitive redistribution algorithm, and an internal capacitor array functions as the sample/hold circuit.

The A/D converter output is a straight binary format as shown below:

Input Voltage	Output Code
$(\Delta V_{REF} - 1.5LSB) \sim \Delta V_{REF}$	FFF
$(\Delta V_{REF} - 2.5LSB) \sim (\Delta V_{REF} - 1.5LSB)$	FFE
-----	-----
$0.5LSB \sim 1.5LSB$	001
$0 \sim 0.5LSB$	000

$$\Delta V_{REF}: (V_{REF+}) - (V_{REF-})$$

**Table 1 Output Code**

The A/D converter's full scale measurements depend on the input mode.

### ■ Analog Inputs

Analog input is selected via the A2, A1, A0 and SER/DFR bits in the control register. If the analog inputs are the X or Y-axis, use SER/DFR = "0", which means differential mode, the full scale ( $\Delta V_{REF}$ ) is the differential voltage between the non-inverting terminal and the inverting terminal of the measured axis (e.g. (XP) – (XN)). Analog non-inverting input to A/D converter is the non-inverting terminal of the non-measured axis while the inverting input is the inverting terminal of the measured axis. If the SER/DFR bit is set to "1", which means single-ended mode, the full scale of A/D converter ( $\Delta V_{REF}$ ) is the internal reference voltage, or external reference voltage. Note that SER/DFR bit should be set to "0" if IN2 is selected as analog input; nevertheless, IN2 is actually measured by single-ended mode.

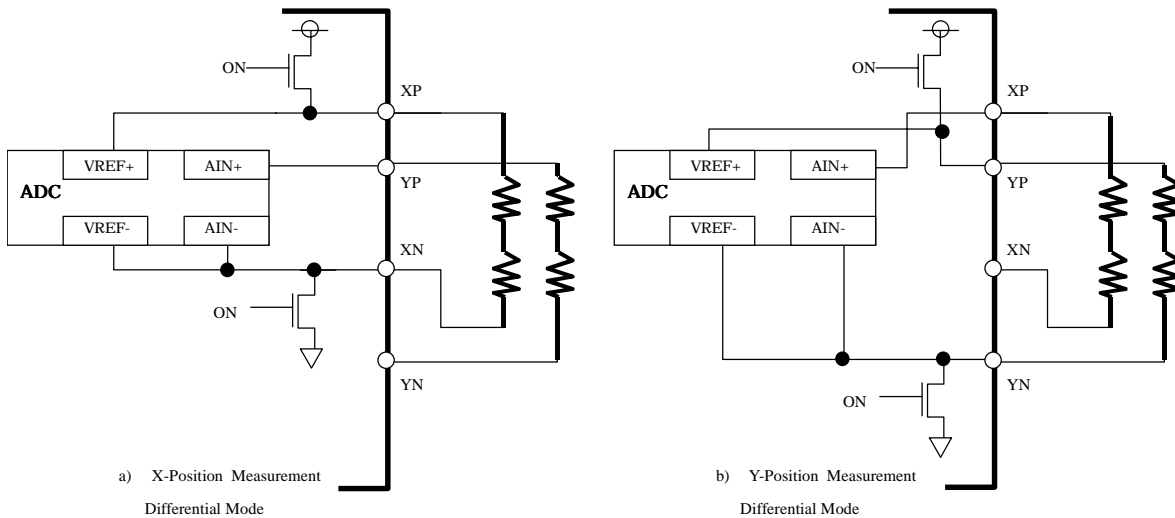
Tracking time is the period from the falling edge of 5<sup>th</sup> DCLK to the falling edge of 8<sup>th</sup> DCLK after the detection of START bit.

the required settling time to charge the internal capacitors depends on the source impedance. If the source impedance,  $R_{in}$ , is 600 ohm, the settling time needs at least 1.5  $\mu$ s (3 tDCLK@2MHz). The maximum throughput of A/D converter is 125kHz.

If the source impedance of analog input is larger than 600 ohm, longer tracking time is required.

### ■ The Position Detection of Touch Screen

The selected touch screen position is detected by the voltage measurement of one axis when the voltage is supplied between the two terminals of the other axis. At least two A/D conversions are needed to get the two-dimensional (X/Y axis) position.



**Figure 1 Axis Measurement**

The differential mode position detection is typically more accurate than the single-ended mode. As the full scale of single-ended mode is fixed to the internal (or external) reference voltage, input voltage may exceed the full-scale reference voltage. This problem does not occur in differential mode. In addition to this, the differential mode is less influenced by power supply voltage variation due to the ratio-metric measurement.

However, note that the touch screen driver switch is still ON and the current flows even for the A/D conversion time. On the other hand, the touch screen driver switch is ON only for the tracking time, 3tDCLK. From the power consumption, single-ended mode has more advantage.

#### ■ The Pen Pressure Measurement

The touch screen pen pressure can be derived from the measurement of the contact resistor between two plates. The contact resistance depends on the size of the depressed area and the pressure. The area of the spot is proportional to the contact resistance. This resistance ( $R_{touch}$ ) can be calculated using two different methods.

The first method uses the total resistance of the X-plate sheet. The resistance,  $R_{touch}$ , is calculated from the results of three conversions, X-position, Z1-Position, and Z2-Position, using the following formula:

$$R_{touch} = (R_{xplate}) * (X_{position}/4096) * [(Z2/Z1) - 1]$$

The second method uses the resistances of both the X-plate and Y-plate. The resistance,  $R_{touch}$ , is calculated from the results of three conversions, X-position, Y-Position, and Z1-Position, using the following formula:

$$R_{touch} = (R_{xplate} * X_{position}/4096) * [(4096/Z1) - 1] - R_{yplate} * [1 - (Y_{position}/4096)]$$



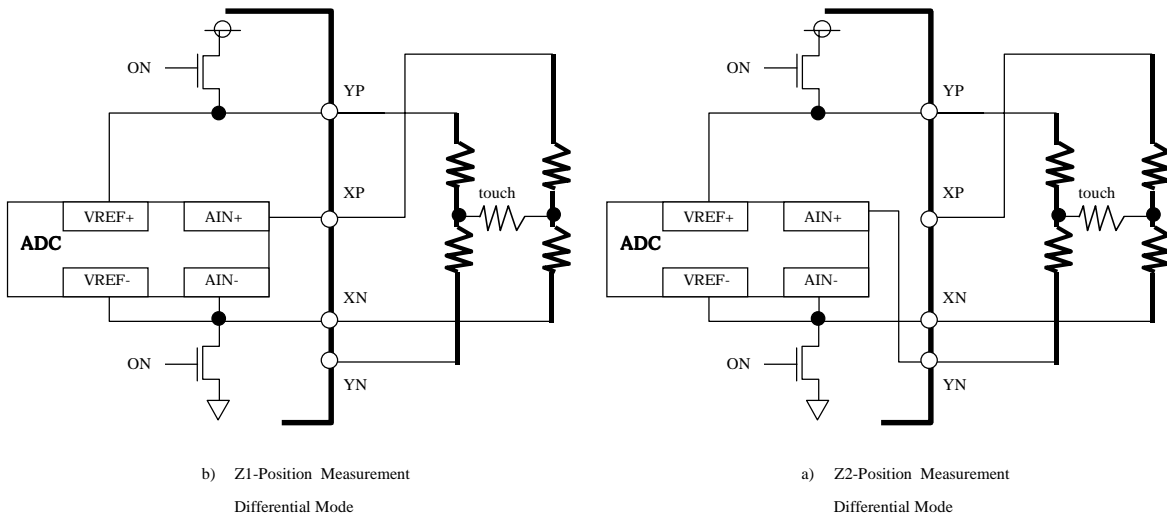


Figure 2 Pen Pressure Measurement

■ Voltage Reference

The AK4180 has an internal 2.5V voltage reference. This reference can be turned ON when PD1 = “1”, and OFF when PD1 = “0”. This reference is used in the single-ended mode for the battery monitoring, temperature measurement, or for auxiliary input. A 0.1μF or larger capacitor should be connected for stable operation of the VREF circuit. Setting time depends on this external capacitance, but 400μs or longer time is required if the external capacitance is 0.1μF.

If an external voltage reference is used, PD1 bit should be set to “0”.

■ Battery Measurement

The AK4180 can measure the battery voltage that is up to 5V directly while the AK4180 operates at 2.7V or 3.3V, etc. The input voltage is internally divided down by 4. Minimum 5μs is required as tracking time. If the source impedance is large, more tracking time is required.

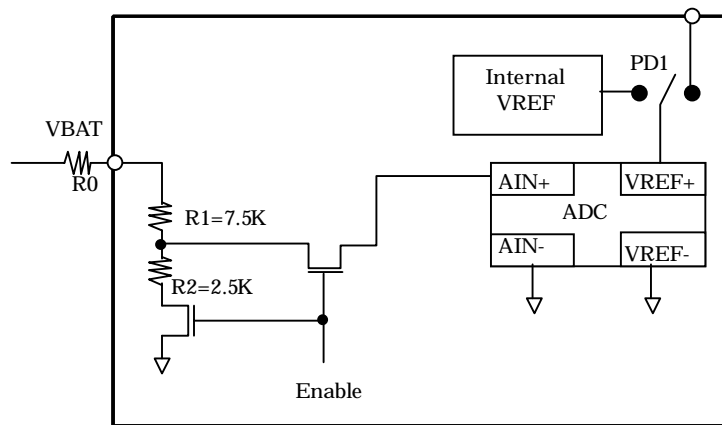


Figure 3 Battery Monitoring

### ■ Temperature Measurement

Equation <1> describes the forward characteristics of the diode.

$$i_D = I_0 \exp(v_D/V_T) \quad (V_T = kT/q) \quad <1>$$

$I_0$ : reverse saturation current

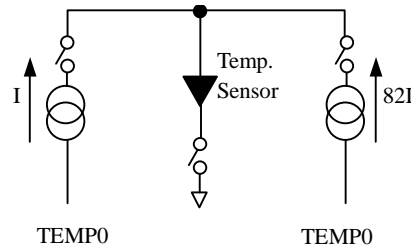
$q$ :  $1.602189 \times 10^{-19}$  (electron charge)

$k$ :  $1.38054 \times 10^{-23}$  (Boltzmann's constant)

$v_D$ : voltage across diode

$T$ : absolute temperature K

The diode characteristics is approximately showed As a diode junction voltage is theoretically proportional to the temperature, the ambient temperature can be predicted by knowing this voltage.



**Figure 4 Temperature Measurement**

As the AK4180 has two different fixed current circuits and a diode, the temperature can be measured by using two different methods.

The first method needs two conversions, but can derive the temperature directly without knowing the voltage at a specific temperature.

From equation <1>

$$(i_{D2}/i_{D1}) = \exp\{(v_{(N1)} - v_{(I)})/V_T\} \quad N = (i_{D2}/i_{D1}) = 82 \text{ (ratio of the current)}$$

$$T^{\circ}\text{C} = (\Delta V_{be} * q)/(k * \ln N) - 273$$

$$\Delta V_{be} = V(NI) - V(I)$$

$$T^{\circ}\text{C} = 2.63 \times 10^3 \times \Delta V_{be} - 273$$

The second method needs only one conversion as the following equation, but requires knowing the junction voltage at the specific temperature.

$$T = (k/q) * v_D / \ln(i_D/I_0) \quad <2>$$

### ■ Control Command

The control command, 8 bits, provided to the AK4180 via DIN is shown in the following table. This command includes start bit, analog input, resolution, measurement configuration, and power-down mode. The AK4180 latches the serial command at the rising edge of DCLK.

D7	D6	D5	D4	D3	D2	D1	D0
S	A2	A1	A0	MODE	SER/ $\overline{\text{DFR}}$	PD1	PD0

BIT	Name	Function
7	S	Start Bit. This bit must be "H" because the AK4180 initiates the command recognition
6-4	A2-A0	Channel Selection Bits. Analog inputs to the A/D converter and the activated driver switches are selected. Please see the following table for the detail.
3	MODE	Resolution of A/D converter. "L": 12 bit output "H": 8 bit output
2	SER/ $\overline{\text{DFR}}$	Measurement Mode (Single-Ended/Differential)
3	PD1-PD0	Power-down Mode (reference to "■ Power-down Control")

Control Command				Status of Driver Switch				ADC input ( $\Delta\text{AIN}$ )		Reference Voltage ( $\Delta\text{VREF}$ )		Note
A2	A1	A0	SER/ $\overline{\text{DFR}}$	XP	XN	YP	YN	AIN+	AIN-	VREF+	VREF-	
0	0	0	1	OFF	OFF	OFF	OFF	TEMP0	GND	VREF	GND	TEMP0
0	0	1	1	OFF	OFF	ON	ON	XP	GND	VREF	GND	Y-axis
0	1	0	1	OFF	OFF	OFF	OFF	VBAT	GND	VREF	GND	Battery Monitor
0	1	1	1	OFF	ON	ON	OFF	XP(Z1)	GND	VREF	GND	Z1 (Pen Pressure)
1	0	0	1	OFF	ON	ON	OFF	YN(Z2)	GND	VREF	GND	Z2 (Pen Pressure)
1	0	1	1	ON	ON	OFF	OFF	YP	GND	VREF	GND	X-axis
1	1	0	1	OFF	OFF	OFF	OFF	IN1	GND	VREF	GND	IN1
1	1	1	1	OFF	OFF	OFF	OFF	TEMP1	GND	VREF	GND	TEMP1
0	0	0	0									NA
0	0	1	0	OFF	OFF	ON	ON	XP	YN	YP	YN	Y-axis
0	1	0	0									NA
0	1	1	0	OFF	ON	ON	OFF	XP(Z1)	XN	YP	XN	Z1 (Pen Pressure)
1	0	0	0	OFF	ON	ON	OFF	YN(Z2)	XN	YP	XN	Z2 (Pen Pressure)
1	0	1	0	ON	ON	OFF	OFF	YP	XN	XP	XN	IN1
1	1	0	0	OFF	OFF	OFF	OFF	IN2	GND	VREF	GND	TEMP1
1	1	1	0									NA

\*) Note that IN2 auxiliary input is measured by single-ended mode although SER/  $\overline{\text{DFR}}$  bit is "0".

**Table 2 Control Command List**

■ Power-down Control

Power-down is controlled by two bits, PD0 bit and PD1 bit. The power-down state of internal voltage reference is controlled by PD1 bit, and is updated at the rising edge of 7<sup>th</sup> DCLK with CSN="L".

The power-down state of A/D converter, and touch screen driver switches is controlled by PD0 bit, and is updated at the rising edge of 8<sup>th</sup> DCLK with CSN="L".

If PD0 bit is set to "1", the state of the driver switches is maintained until the 5<sup>th</sup> DCLK↑ of the next conversion if CSN is "L". If CSN is "H", all driver switches except for YN switch are turned off and are open states. Only YN driver switch is turned ON and YN pin is forced to the ground in this case.

PD1	PD0	PENIRQN	Function
0	0	Enabled	Auto Power-down Mode. A/D converter is automatically powered up at the initiation of the conversion, and goes to power-down state automatically at the end of the conversion. And the AK4180 is always powered down at this mode if CSN="H". All touch screen driver switches except for YN switch are turned off and relative pins are open state. Only YN driver switch is turned ON and YN pin is forced to the ground in this case. PEN interrupt function is enabled except for the tracking time and conversion time even CSN="L". Please see "■ PEN Interrupt" for the detail. The internal voltage reference is always power-down state.
0	1	Enabled	ADC ON Mode A/D converter is always powered up while CSN = "L". The internal voltage reference is always power-down state. if X-axis or Y axis is selected as analog input, touch screen driver switches are always turned ON and the current flows through the touch plate if CSN="L". This is effective if more settling time for is required to suppress the electrical bouncing of touch plate.
1	0	Enabled	VREF ON Mode The internal voltage reference is always powered up regardless of CSN state. ADC is auto power-down mode. PEN interrupt function is enabled at all the period except for the period from the 5DCLK↓ to 20DCLK↓ regardless of CSN state.
1	1	Disabled	ADC and VREF ON Mode A/D converter and the internal voltage reference is power-up state PEN interrupt function is disabled and PENIRQN is forced to "H" state if CSN="H". The behavior of PENIRQN is the same as "ADC ON Mode"

Table 3 Power-down Control

■ Serial Interface

The AK4180 is controlled via 4-wire serial interface, CSN, DCLK, DIN, DOUT.  
Please see "■ Switching Characteristics" for the detail.

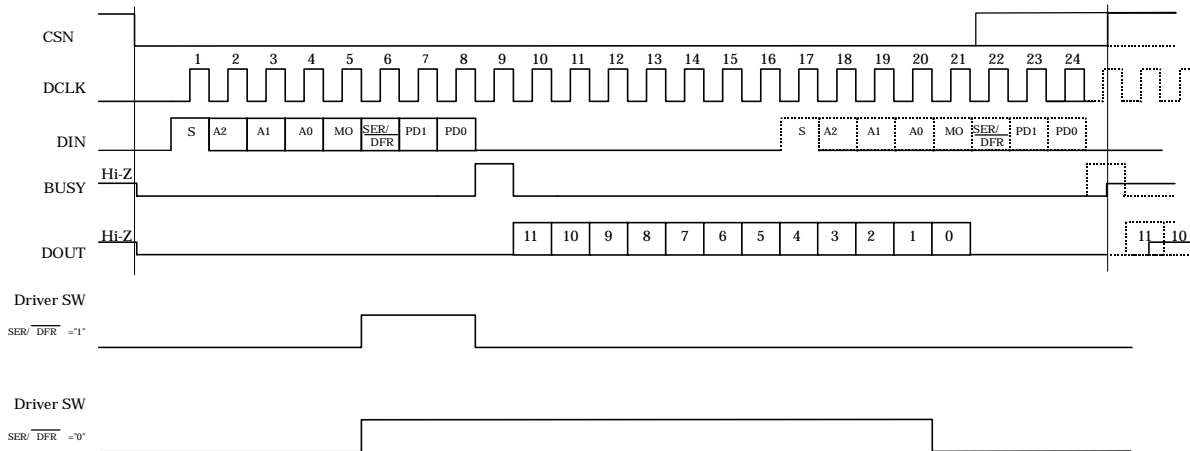


Figure 5 Serial Interface

BUSY and DOUT goes to “L” from Hi-Z state at the falling edge of CSN. The AK4180 latches the 8bit control word serially via DIN at the rising edge of DCLK. As the AK4180 starts the command decoding at the first “H” bit after CSN=“↓”, MSB of the command must be “H”.

Tracking time is the period from the falling edge of 5<sup>th</sup> DCLK to the falling edge of 8<sup>th</sup> DCLK. If SER/DFR =“1”, PD0=“0”, and if analog input is X-axis or Y-axis (the measurement is the pen position or pen pressure), the touch screen driver switches are turned ON for this 3DCLK period. If SER/DFR =“0”, the switches are turned ON for the period from 5DCLK↓ to 20 DCLK↓.

BUSY is “H” for one DCLK period, which is from 8DCLK↓ to 9DCLK↓. BUSY is “L” for other period.

The AK4180 outputs A/D data with MSB first via DOUT from the falling edge of 9<sup>th</sup> DCLK.

The AK4180 can output one A/D data per 16 DCLK clock cycles for the fastest way as shown in the dotted line of the above figure.

### ■ Pen Interrupt

The AK4180 has pen interrupt function to detect the pen touch. Pen interrupt function is enabled at power-down state. YN pin is connected to GND at the PEN interrupt enabled state. And XP pin is pulled up via an internal resistor (Ri), typically 20k ohm. PENIRQN pulled up via an external resistor, 100k ohm, is also connected to XP pin. If the two plates are touched, the current flows via <VCC> – <Ri> – <XP> – <the plates> – <YN>. The resistance of the plate is generally 1k ohm or less, PENIRQN is forced to “L” level. If the pen is released, PENIRQN returns “H” level because two plates are disconnected, and the current doesn’t flow via two plates.

If the plate is touched with pen or finger, PENIRQN goes to “L” at CSN=“H” unless both PD1 and PD0 is “1”. PENIRQN is disabled and keeps “H” level regardless of the touched/non-touched state if CSN=“H”.

The operation of PENIRQN is related to PD0 bit. PD0 bit is updated at the rising edge of 8<sup>th</sup> DCLK ( please see “■ Power-down Control “ for the detail). Therefore, the last PD0 bit is valid until this timing. (The internal voltage reference is controlled by only PD1 bit regardless of PD0 bit and CSN state.)

- i) The period from the 5<sup>th</sup> DCLK ↓to the 20<sup>th</sup> DCLK↓  
The behavior of PENIRQN is related to the selected analog input. If the X-axis or Y-axis is selected as analog input, PENIRQN is forced to “L” regardless of the touched/non-touched state. If the temperature, VBAT, or auxiliary inputs is selected, PENIRQN is forced to “H” regardless of the touched/non-touched state.
- ii) The period from CSN↓ to the 5<sup>th</sup> DCLK.  
The behavior of PENIRQN is related to the combination of the last selected analog input channel, and the last PD0 bit. If the last PD0 bit was set to “0”, PENIRQN is “H” while the plate is not pressed, and “L” while the plate is pressed regardless of the last analog input. If the last PD0 bit was set to “1”, the last analog input decides the level of PENIRQN. If the last analog input channel is ether X-axis or Y-axis, PENIRQN is “L” for all the time in this period regardless of the touched/non-touched state. On the other hand, if the last analog input is temperature, VBAT, or auxiliary inputs, PENIRQN is “H” for all the time in this period regardless of the touched/non-touched state.
- iii) The period from the 20<sup>th</sup> DCLK↓ to CSN↑  
The behavior of PENIRQN is related to the combination of the current selected analog input channel, and the current PD0 bit. If the current PD0 bit is set to “0”, PENIRQN is “H” while the plate is not pressed, and “L” while the plate is pressed regardless of the current selected analog input. If the current PD0 bit is set to “1”, the current analog input decides the operation of PENIRQN. If the current analog input channel is ether X-axis or Y-axis, PENIRQN is “L” for all the time in this period regardless of the touched/non-touched state. On the other hand, if the current analog input is temperature, VBAT, or auxiliary inputs, PENIRQN is “H” for all the time in this period regardless of the touched/non-touched state..

It is recommended that microcontroller mask the pseudo-interrupts while the control command is issued or A/D data is output.

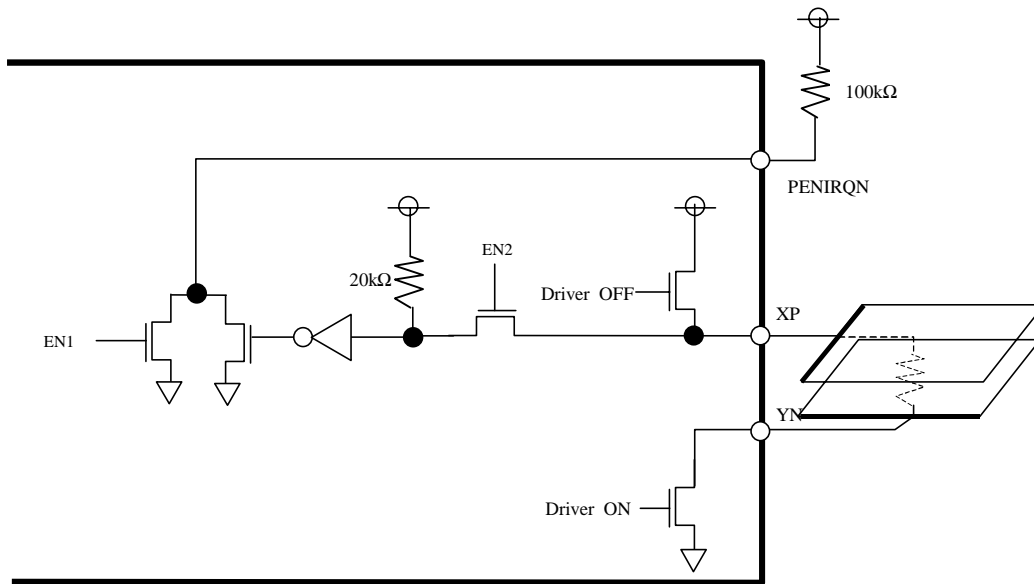
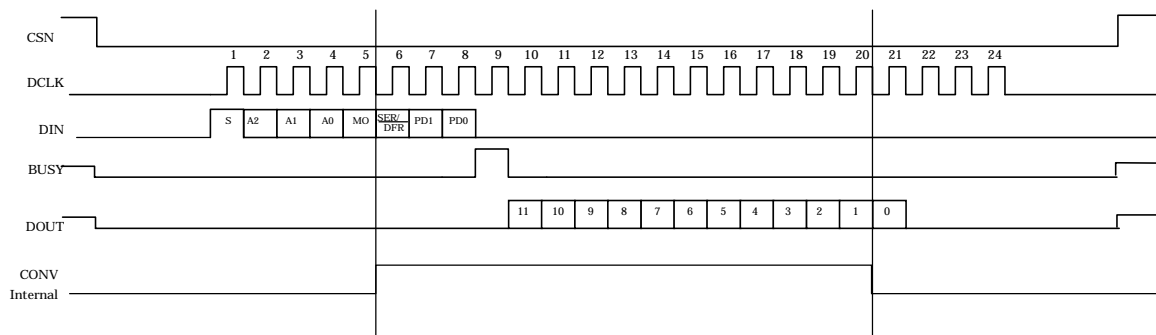


Figure 6 PENIRQ Functional Block Diagram



```

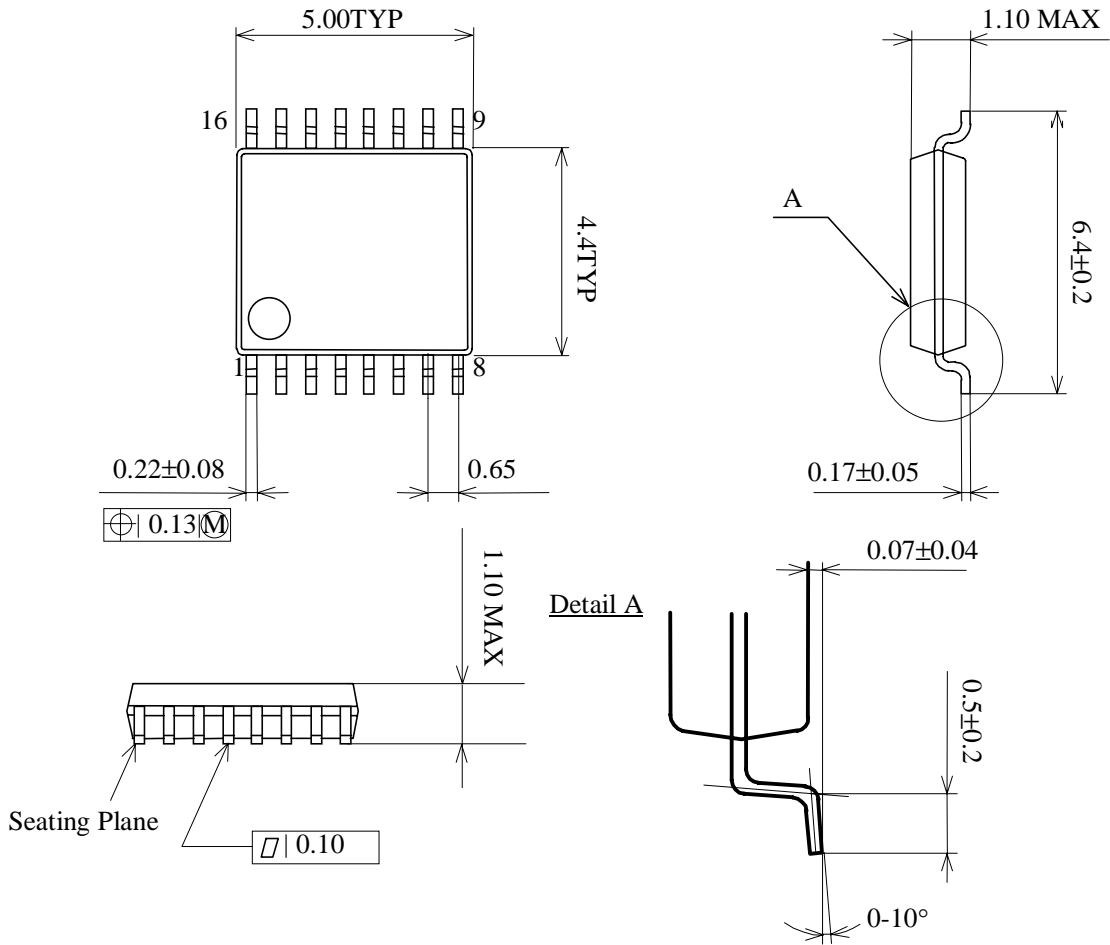
AXIS = ((!A2) & (!A1) & (A0))      /* X-axis Measurement */
      | ((!A2) & (A1) & (A0))      /* Z1 Measurement */
      | ((A2) & (!A1) & (!A0))     /* Z2 Measurement */
      | ((A2) & (!A1) & (A0));     /* Y-axis Measurement */

EN1 = ((!CSN) & (!CONV) & AXIS & PD0)
      /* CSN="L", X/Y/Z1/Z2 Measurement, PD0 = 1, NOT "CONV period" */
      | ((!CSN) & AXIS & CONV);
      /* CSN="L", X/Y/Z1/Z2 Measurement, "CONV period" */

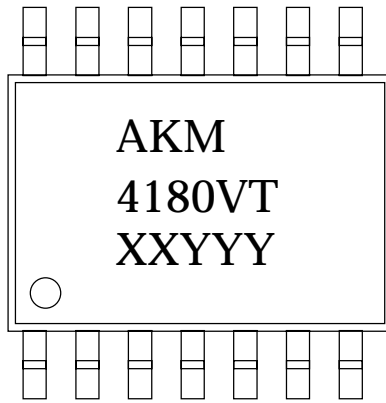
EN2 = ((!CSN) & (!CONV) & (!PD0))
      /* CSN="L", PD0 = 1, NOT "CONV period" */
      | (CSN & !(PD1 & PD0));
      /* CSN="H", (PD0, PD1) is not (1,1) */
    
```

**Package**

16pin TSSOP (Unit: mm)



**Marking**



Contents of XXYYY  
XX: Lot #  
YYY: Date Code



## IMPORTANT NOTICE

- These products and their specifications are subject to change without notice. Before considering any use or application, consult the Asahi Kasei Microsystems Co., Ltd. (AKM) sales office or authorized distributor concerning their current status.
- AKM assumes no liability for infringement of any patent, intellectual property, or other right in the application or use of any information contained herein.
- Any export of these products, or devices or systems containing them, may require an export license or other official approval under the law and regulations of the country of export pertaining to customs and tariffs, currency exchange, or strategic materials.
- AKM products are neither intended nor authorized for use as critical components in any safety, life support, or other hazard related device or system, and AKM assumes no responsibility relating to any such use, except with the express written consent of the Representative Director of AKM. As used here:
  - (a) A hazard related device or system is one designed or intended for life support or maintenance of safety or for applications in medicine, aerospace, nuclear energy, or other fields, in which its failure to function or perform may reasonably be expected to result in loss of life or in significant injury or damage to person or property.
  - (b) A critical component is one whose failure to function or perform may reasonably be expected to result, whether directly or indirectly, in the loss of the safety or effectiveness of the device or system containing it, and which must therefore meet very high standards of performance and reliability.
- It is the responsibility of the buyer or distributor of an AKM product who distributes, disposes of, or otherwise places the product with a third party to notify that party in advance of the above content and conditions, and the buyer or distributor agrees to assume any and all responsibility and liability for and hold AKM harmless from any and all claims arising from the use of said product in the absence of such notification.