

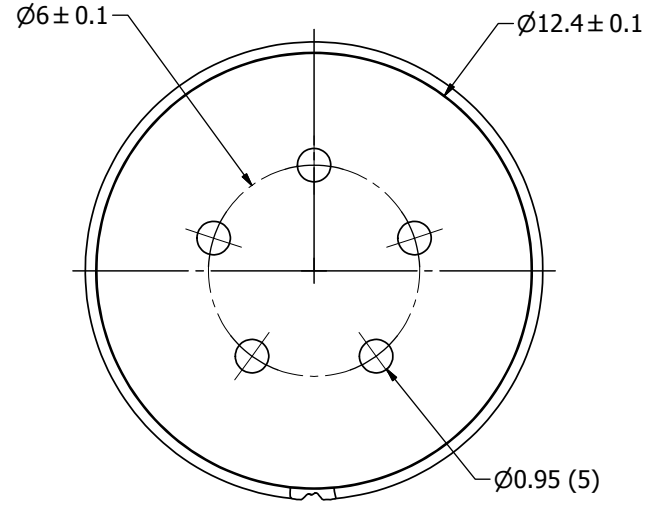
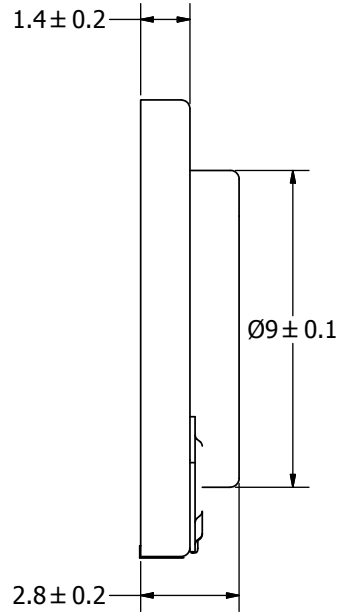
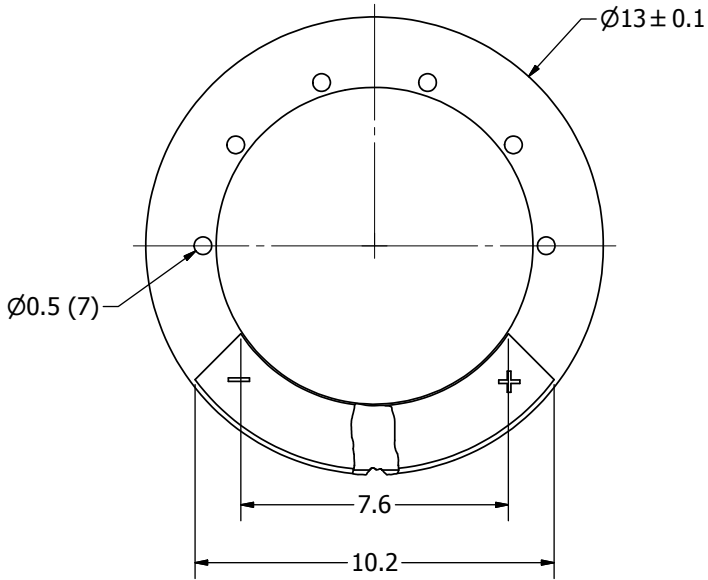
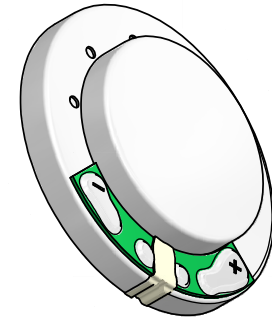
SPECIFICATIONS

| PARAMETERS | VALUES | UNITS |
|---|------------|-------|
| RATED INPUT POWER | 0.2 | W |
| MAX INPUT POWER | 0.3 | W |
| IMPEDANCE | 8 ± 15% | OHM |
| OUTPUT SPL @ 0.1W/0.1M (AT 0.8, 1.0, 1.2, 1.5 kHz) | 85 ± 3 | dB |
| DISTORTION (MAX.) | 5% | - |
| RESONANT FREQUENCY | 1100 ± 20% | Hz |
| FREQUENCY RANGE | 700 ~ 5000 | Hz |
| HOUSING MATERIAL | METAL | - |
| CONE MATERIAL | MYLAR | - |
| MAGNET MATERIAL | ND | - |
| OPERATING TEMPERATURE | -20 ~ +50 | °C |
| WEIGHT | 1.1 | grams |

THIS DOCUMENT CONTAINS DATA PROPRIETARY TO PROJECTS UNLIMITED, INC. ANY USE OR REPRODUCTION, IN ANY FORM, WITHOUT PRIOR WRITTEN PERMISSION OF PROJECTS UNLIMITED, INC. IS PROHIBITED.
©2003, Projects Unlimited Inc.


REVISION HISTORY

| LTR | DESCRIPTION | DATE | APPROVED |
|-----|--|-----------|----------|
| - | RELEASED FROM ENGINEERING | 5/30/2006 | |
| A | REVISED TO INVENTOR 3-D DRAWING TEMPLATE | 9/06/2007 | B.R. |



NOTES:

1. ALL DIMENSIONS ARE IN MILLIMETERS.
2. SPECIFICATIONS SUBJECT TO CHANGE OR WITHDRAWAL WITHOUT NOTICE.
3. THIS PART IS RoHS 2002/95/EC COMPLIANT.

| | | | | | | | | |
|--|---|---------------|-----------|------------|-----------|-------------|-----------|------------|
| UNLESS OTHERWISE SPECIFIED: DIMENSIONS ARE IN MILLIMETERS, TOLERANCES ARE ±0.5 AND ANGLES ARE ±3°. | SIZE | Designed by | Date | Checked by | Date | Approved by | Date | Drawn Date |
| | A3 | J.D. | 5/30/2006 | E.P. | 5/31/2006 | B.R. | 5/31/2006 | 9/6/2007 |
| | | AS01308MR-2-R | | | | | | Edition |
| AS01308MR-2-R.idw |  AS01308MR-2-R Speaker | | | | | | - | 1 / 1 |