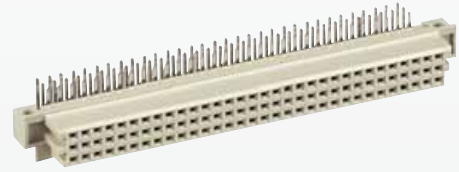


Number of contacts

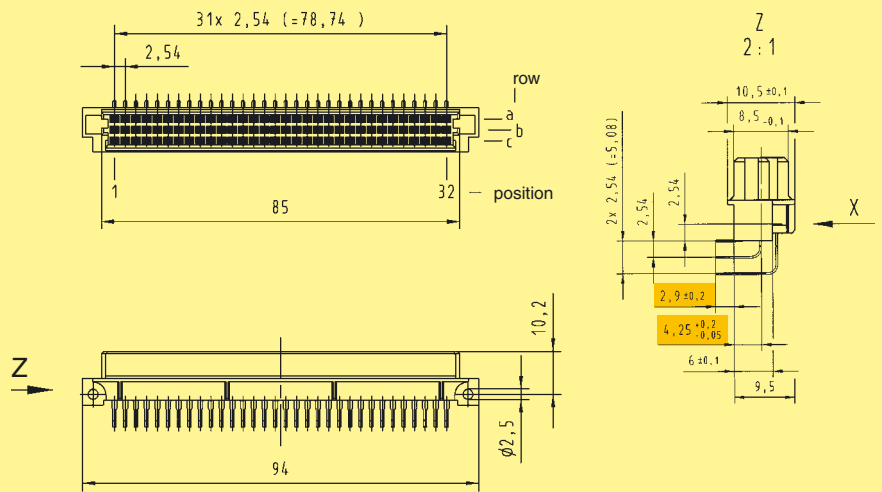
96, 64



Female connectors

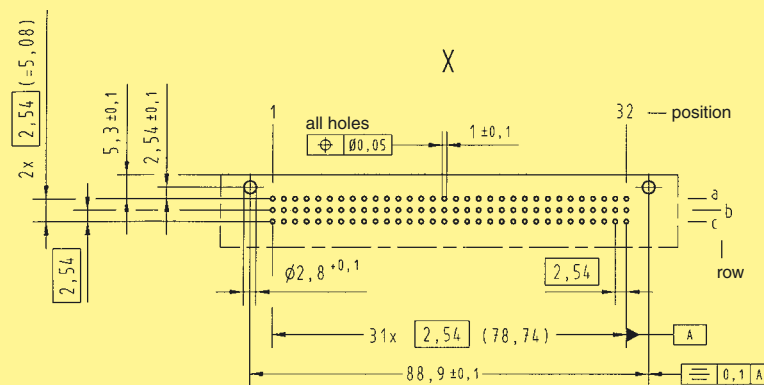
Identification	Number of contacts	Contact arrangement	Part No.	Performance levels according to IEC 60 603-2. Explanation chapter 00		
				3	2	1
Female connector with angled solder pins	96		09 79 296 7801	09 79 296 6801 09 79 496 6801 <sup>b)</sup>	Performance level 1 on request	
	64		09 79 264 7801	09 79 264 6801 09 79 464 6801 <sup>b)</sup>		

Dimensions



Board drillings

Mounting side



Dimensions in mm

Other contact arrangements on request

= deviating dimensions from standard female connectors (see page 01.35)

<sup>b)</sup> Connectors with snap-in clips see chapter 00

DIN Signal to 2 A