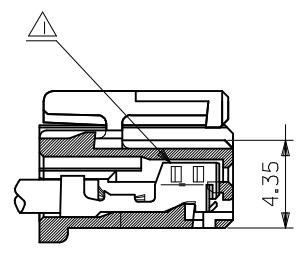
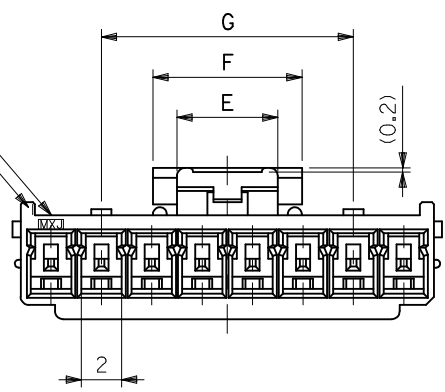
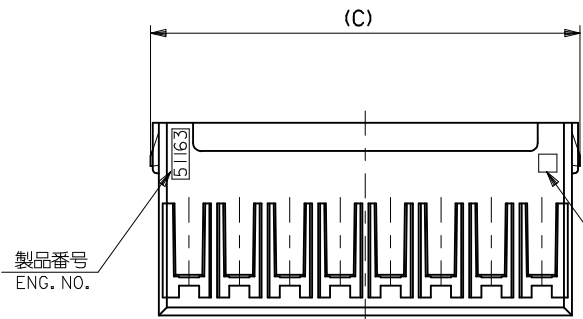


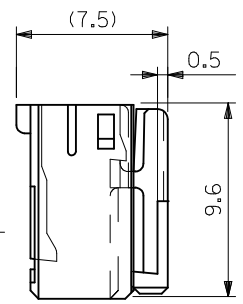
△  
トレードマーク  
TRADE MARK  
回路番号 1  
CIRCUIT NO.1



ターミナル装着状態図  
TERMINAL ASSEMBLY DRAWING

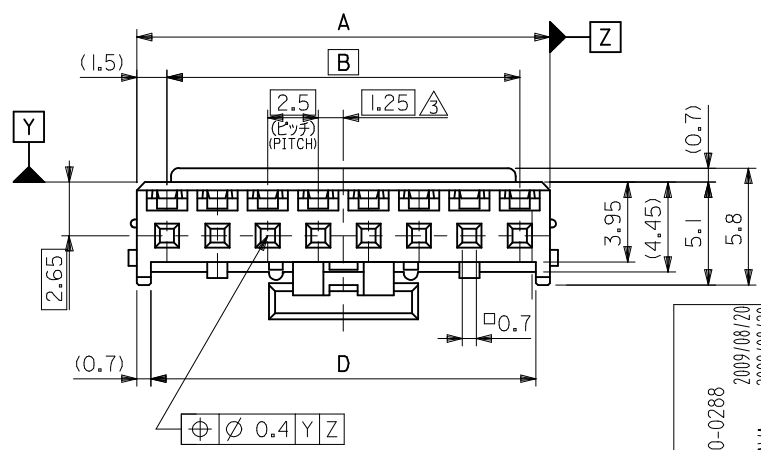


△  
キャビティー番号  
及び金型番号  
CAVITY NO.  
AND MODEL NO.



製品番号  
ENG. NO.

12.5	7.4	5	36.6	38.8	35	38	51163-158*	15
↑	↑	↑	34.1	36.3	32.5	35.5	↑ -148*	14
			31.6	33.8	30	33	↑ -138*	13
			29.1	31.3	27.5	30.5	↑ -128*	12
			26.6	28.8	25	28	↑ -118*	11
			24.1	26.3	22.5	25.5	↑ -108*	10
↓			21.6	23.8	20	23	↑ -098*	9
12.5			19.1	21.3	17.5	20.5	↑ -088*	8
			16.6	18.8	15	18	↑ -078*	7
			14.1	16.3	12.5	15.5	↑ -068*	6
			11.6	13.8	10	13	↑ -058*	5
	7.4	5	9.1	11.3	7.5	10.5	↑ -048*	4
	5	3	6.6	8.8	5	8	↑ 51163-038*	3
G	F	E	D	(C)	B	A	MATERIAL AND ORDER No. △	CIRCUIT No.



REVISED  
EC NO: J2010-0288  
DRWN: YG010 2009/08/20  
CHKD: KASAKAWA 2009/08/20  
APPR: NUKITA 2009/08/24

DESCRIPTION  
GENERAL TOLERANCES (UNLESS SPECIFIED)  
10 UNDER ±0.2  
10 OVER 30 UNDER ±0.25  
30 OVER ±0.3  
ANGULAR ±3 °  
DRAFT WHERE APPLICABLE MUST REMAIN WITHIN DIMENSIONS

DIMENSION STYLE  
MM ONLY  
DRAWN BY K. HARADA DATE 1997/10/2  
CHECKED BY T. ITO DATE 1997/11/12  
APPROVED BY M. FUKUSHIMA DATE 1997/11/12  
MATERIAL NO.  
ENTER PART

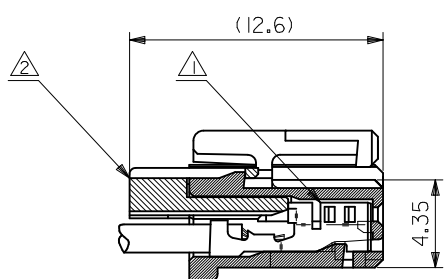
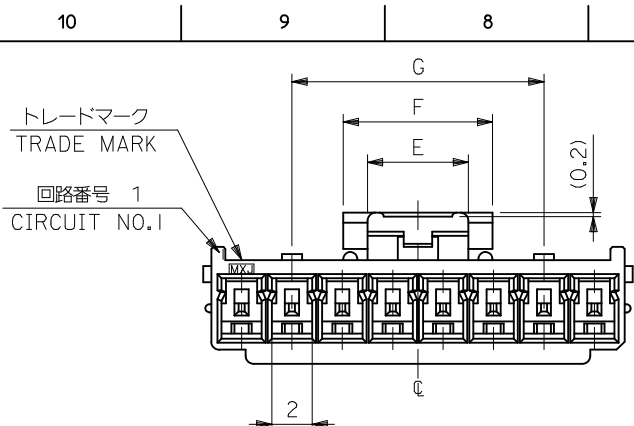
SCALE 4:1  
DESIGN UNITS METRIC  
THIRD ANGLE PROJECTION  
TITLE 2.5 W/B CONN HSG (POSITIVE LOCK)  
MOLEX MOLEX INCORPORATED  
DOCUMENT NO. SD-51163-\*\*-00 SHEET NO. 1 OF 2  
THIS DRAWING CONTAINS INFORMATION THAT IS PROPRIETARY TO MOLEX INCORPORATED AND SHOULD NOT BE USED WITHOUT WRITTEN PERMISSION

注記 NOTES

- △1 適合ターミナル：5035I-8\*00  
APPLICABLE TERMINAL : 5035I-8\*00
- 2. 嵌合相手：53375,53426 シリーズ  
MATE WITH : 53375,53426 SERIES
- △3 偶数極の製品に適用。  
APPLY EVEN CIRCUIT PRODUCTS.
- △4 トレードマーク：Mプラス 1 ~ 2 文字のアルファベットにて構成。(例 MXJ)  
但し "J" は JAPAN を示す。  
FORMED BY M AND 1 ~ 2 MORE LETTER OF ALPHABET (e.g. MXJ)  
(TO TRADE MARK), BUT "J" SHOW JAPAN.
- △5 キャビティー番号：1桁~2桁の数字  
金型番号：アルファベット1文字にて構成。(例, 1A, 10B)  
FORMED BY 1 DIGIT TO 2 DIGIT NUMBERS (TO CAVITY  
NO.) AND BY 1 LETTER OF ALPHABET (TO MOLD NO.).  
(e.g. 1A, 10B)
- △6 MATERIAL AND ORDER No.  
51163-\*\*00  
極数  
CIRCUIT SIZE
- 7. 材料:PBT, UL 94V-0
- 8. 色:白 WHITE (NATURAL)



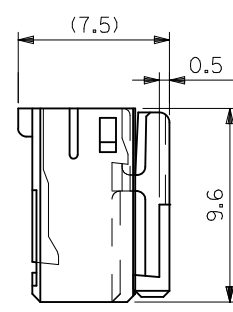
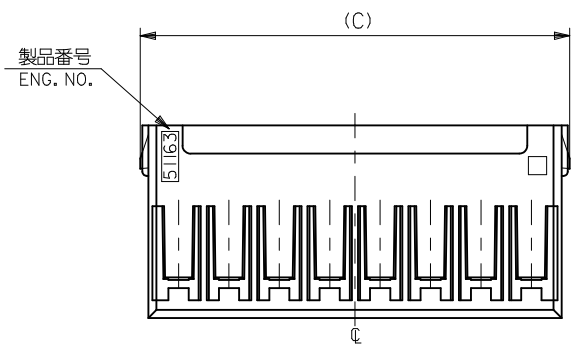
REVISED EC NO: DRWN:Y.GOTO CHKD:K.SAKAWA APPR: C	DESCRIPTION 2009/08/20	GENERAL TOLERANCES (UNLESS SPECIFIED)		DIMENSION STYLE MM ONLY	SCALE 4:1	DESIGN UNITS METRIC	THIRD ANGLE PROJECTION	
		10 UNDER	±0.2	DRAWN BY K. HARADA	DATE 1997/10/2	TITLE 2.5 W/B CONN HSG (POSITIVE LOCK)		
		10 OVER 30 UNDER	±0.25	CHECKED BY T. ITO	DATE 1997/11/12			
		30 OVER	±0.3	APPROVED BY M. FUKUSHIMA	DATE 1997/11/12	MATERIAL NO.	DOCUMENT NO.	SHEET NO.
ANGULAR ±3 °		DRAFT WHERE APPLICABLE MUST REMAIN WITHIN DIMENSIONS		ENTER PART		MOLEX INCORPORATED SD-51163-**00		
				SIZE A3	THIS DRAWING CONTAINS INFORMATION THAT IS PROPRIETARY TO MOLEX INCORPORATED AND SHOULD NOT BE USED WITHOUT WRITTEN PERMISSION			



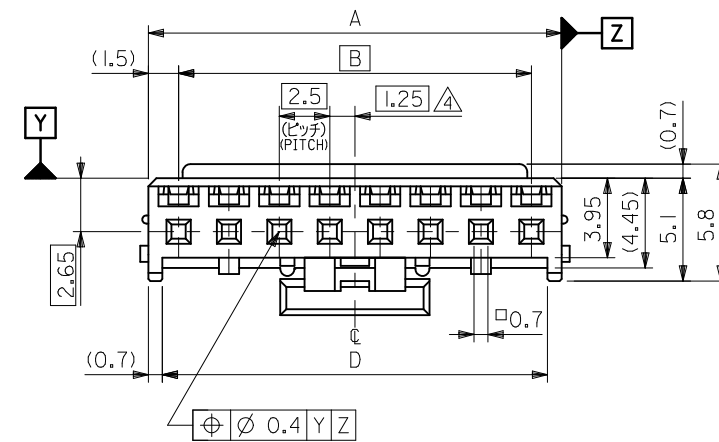
ターミナル及びリテーナー装着状態図  
TERMINAL AND RETAINER ASSEMBLY DRAWING

注記 NOTES

- △ 適合ターミナル：50752-8\*00  
APPLICABLE TERMINAL : 50752-8\*00
- △ 適合リテーナー：51164-\*\*05  
APPLICABLE RETAINER : 51164-\*\*05
- 3. 嵌合相手：53375,53376,53388,53389,53426 シリーズ  
MATE WITH : 53375,53376,53388,53389,53426 SERIES
- △ 偶数極の製品に適用。  
APPLY EVEN CIRCUIT PRODUCTS.



3-15 極に適用  
FOR 3-15 CKTS.



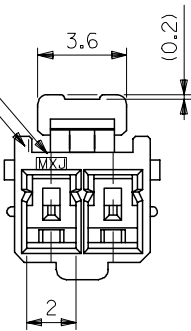
	青 BLUE	赤 RED	黒 BLACK	白 NATURAL	COLOR							
12.5	7.4	5	36.6	38.8	35	38	51163-1504	51163-1502	51163-1501	51163-1500	15	
12.5			34.1	36.3	32.5	35.5	-1404	-1402	-1401	-1400	14	
12.5			31.6	33.8	30	33	-1304	-1302	-1301	-1300	13	
12.5			29.1	31.3	27.5	30.5	-1204	-1202	-1201	-1200	12	
12.5			26.6	28.8	25	28	-1104	-1102	-1101	-1100	11	
12.5			24.1	26.3	22.5	25.5	-1004	-1002	-1001	-1000	10	
12.5			21.6	23.8	20	23	-0904	-0902	-0901	-0900	9	
12.5			19.1	21.3	17.5	20.5	-0804	-0802	-0801	-0800	8	
			16.6	18.8	15	18	-0704	-0702	-0701	-0700	7	
			14.1	16.3	12.5	15.5	-0604	-0602	-0601	-0600	6	
			11.6	13.8	10	13	-0504	-0502	-0501	-0500	5	
	7.4	5	9.1	11.3	7.5	10.5	-0404	-0402	-0401	-0400	4	
	5	3	6.6	8.8	5	8	51163-0304	51163-0302	51163-0301	51163-0300	3	
	G	F	E	D	(C)	B	A	MATERIAL NO.	MATERIAL NO.	MATERIAL NO.	MATERIAL NO.	NO. OF CKT

REVISED EC NO: J2005-1394 DRWN: JSASAMOR CHKDK: TOJO APPR: NUKITA 2004/11/09 2004/11/10 2004/11/18	DESCRIPTION GENERAL TOLERANCES (UNLESS SPECIFIED) 10 UNDER ±0.2 10 OVER 30 UNDER ±0.25 30 OVER ±0.3 ANGULAR ±3 ° DRAFT WHERE APPLICABLE MUST REMAIN WITHIN DIMENSIONS	DIMENSION STYLE <b>MM ONLY</b>	SCALE <b>4:1</b>	DESIGN UNITS <b>METRIC</b>	THIRD ANGLE PROJECTION	
		DRAWN BY J. SASAMO	DATE 2004/8/31	TITLE <b>2.5 WIRE TO BORAD CONN. HOUSING (POSITIVE LOCK) WITH RETAINER</b>		
		CHECKED BY K. TOJO	DATE 2004/8/31	<b>MOLEX MOLEX INCORPORATED</b>		
		APPROVED BY N. UKITA	DATE 2004/8/31	MATERIAL NO. <b>51163-**0*</b>	DOCUMENT NO. <b>SD-51163-001</b>	SHEET NO. <b>1 OF 2</b>

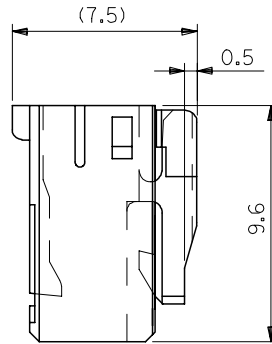
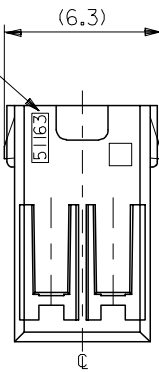
MATERIAL  
PBTP, UL94V-0  
SEE CHART

10 9 8 7 6 5 4 3 2 1

トレードマーク  
TRADE MARK  
回路番号 1  
CIRCUIT NO.1

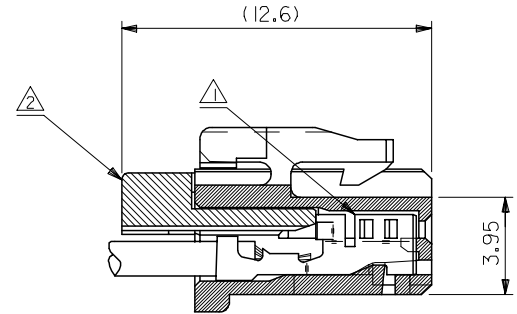


製品番号  
ENG. NO.

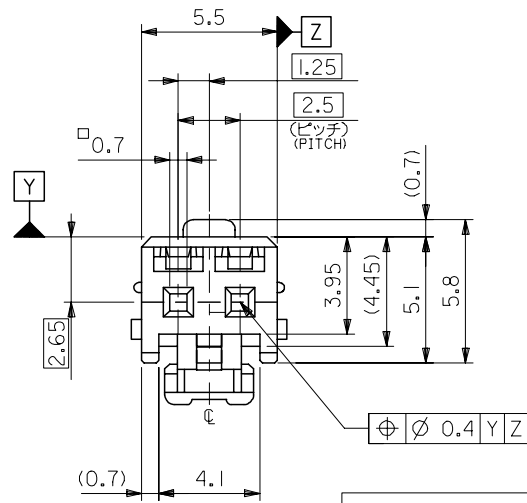


注記 NOTES

- △ 適合ターミナル : 50752-8\*00  
APPLICABLE TERMINAL : 50752-8\*00
- △ 適合リテーナー : 51164-\*\*\*05  
APPLICABLE RETAINER : 51164-\*\*\*05
- 3. 嵌合相手 : 53375,53426 シリーズ  
MATE WITH : 53375,53426 SERIES



ターミナル及びリテーナー装着状態図  
TERMINAL AND RETAINER ASSEMBLY DRAWING



2 極に適用  
FOR 2 CKTS.

青	BLUE	51163-0204	2
赤	RED	51163-0202	
黒	BLACK	51163-0201	
白	NATURAL	51163-0200	
COLOR MATERIAL NO.		MATERIAL NO.	NO. OF CKT.

REVISED EC NO: J2005-1394 DRWN: SASAMOR 2004/11/09 CHKDK: TOJO 2004/11/10 APPR: NUKITA 2004/11/18	GENERAL TOLERANCES (UNLESS SPECIFIED)		DIMENSION STYLE MM ONLY		SCALE 5:1	DESIGN UNITS METRIC	THIRD ANGLE PROJECTION	
	10 UNDER	±0.2	DRAWN BY J. SASAMO	DATE 2004/8/31	TITLE 2.5 WIRE TO BORAD CONN. HOUSING (POSITIVE LOCK) WITH RETAINER			
	10 OVER 30 UNDER	±0.25	CHECKED BY K. TOJO	DATE 2004/8/31				
	30 OVER	±0.3	APPROVED BY N. UKITA	DATE 2004/8/31	MOLEX INCORPORATED			
ANGULAR	±3 °	MATERIAL NO. 51163-***0*	DOCUMENT NO. SD-51163-001	SHEET NO. 2 OF 2				
DRAFT WHERE APPLICABLE MUST REMAIN WITHIN DIMENSIONS		THIS DRAWING CONTAINS INFORMATION THAT IS PROPRIETARY TO MOLEX INCORPORATED AND SHOULD NOT BE USED WITHOUT WRITTEN PERMISSION						

MATERIAL  
PBTP, UL94V-0  
SEE CHART