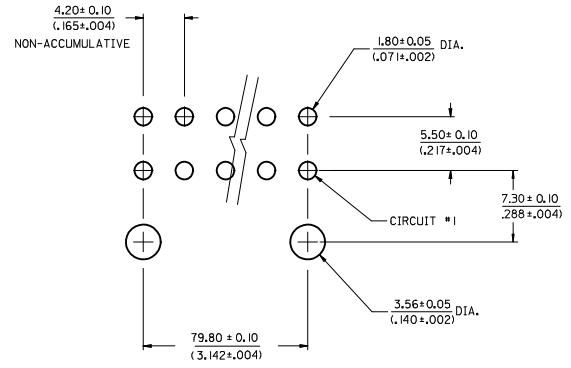
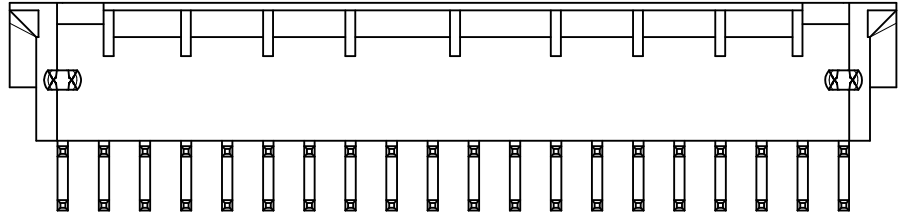
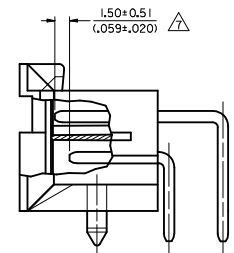
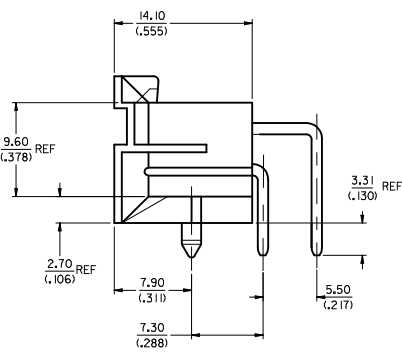
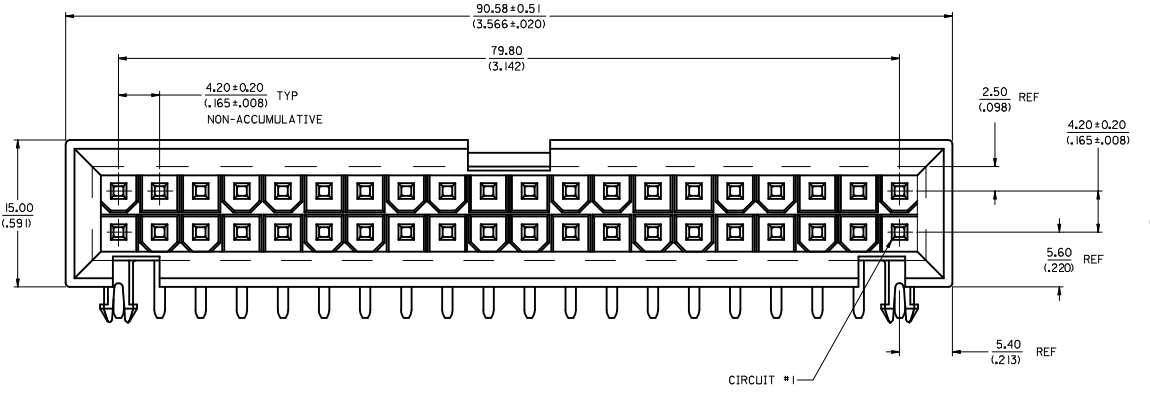


PART NUMBER	CIRCUIT SIZE	TERMINAL PIN TYPE REQUIRED AT EACH CIRCUIT LOCATION																																							
43973-0001	40	A	A	A	A	A	A	A	A	A	A	A	A	A	A	A	A	A	A	A	A	B	B	B	B	B	B	B	B	B	B	B	B	B	B	B	B	B	B	B	B



- NOTES:**
- 1) MATERIAL
HOUSING: NYLON 46, GLASS-FILLED, UL94V-0, COLOR - BLACK
TERMINAL MATERIAL: BRASS ALLOY
 - 2) FINISH
TERMINAL PLATING:
1) .00254/(.000100) MIN. TIN OVER NICKEL PLATE
 - 3) PRODUCT SPECIFICATION: PS-43759-0001.
 - 4) PACKAGING SPECIFICATION: PK-42404-002.
 - 5) PART MATES WITH MINI-FIT JR. RECEPTACLE 43974.
 - 6) CONNECTORS ASSEMBLIES ARE NOT TO BE MATED OR UNMATED WHILE CIRCUITS ARE LIVE.
 - 7) △ CIRCUITS SHOWN PROVIDED THE "MATE-FIRST/BREAK-LAST" FEATURE.
 - 8) DISCOLORATION ON THE BANDOLIERY CARRIER AREA OF THE PIN IS INHERENT TO THE PLATING PROCESS AND IS DUE TO THE MASKING EFFECT OF THE CARRIER. THIS DISCOLORATION IS IN A NON-FUNCTIONAL AREA OF THE PIN AND WILL NOT AFFECT THE PERFORMANCE OF THE HEADER ASSEMBLY.
 - 9) PART IS NOT DESIGNED FOR CURRENT SHARING.
 - 10) PART CONFORMS TO CLASS B OF COSMETIC SPECIFICATION PS-45499-002.
 - 11) PART ALLOWS FOR .050/(1.27) MISALIGNMENT WITH MATING RECEPTACLE IN ANY DIRECTION. SEE MATING CONNECTOR DRAWINGS FOR SPECIFIC ALLOWANCES.

TERMINAL PIN LEGEND		
PIN TYPE	FINISH (SEE NOTE 2)	MATING TYPE
A	I	STD.
B	I	M-F-B-L

RECOMMENDED HOLE LAYOUT FOR .070/(1.78) MAX. THICK P.C. BOARD (COMPONENT SIDE SHOWN)

ADDED NOTES EC NO. UCF2009-3129 DRAWN: BELL 2000/01/06 CHYK: BELL 2000/01/06 APPR: FSWITH 2000/01/07	QUALITY SYMBOLS ▽=0 ▽=0	GENERAL TOLERANCES (UNLESS SPECIFIED) mm INCH 4 PLACES ±.005 ±.015 3 PLACES ±.015 ±.015 2 PLACES ±.038 ±.038 1 PLACE ±.076 ±.076		DIMENSION STYLE MM/IN	SCALE 1:1	DESIGN UNITS METRIC	THIRD ANGLE PROJECTION
		DRAFT WHERE APPLICABLE MUST REMAIN WITHIN DIMENSIONS		DRAWN BY: PEARSON DATE: 7/29/97 CHECKED BY: EDGLEY DATE: 7/29/97 APPROVED BY: EDGLEY DATE: 7/29/97	TITLE: HEADER ASSY. 40 CKT. DUAL ROW RIGHT ANGLE MAKE FIRST/ BREAK LAST MOLEX INCORPORATED		MATERIAL NO. 439730001 DOCUMENT NO. SD-43973-001 SHEET NO. 1 OF 1