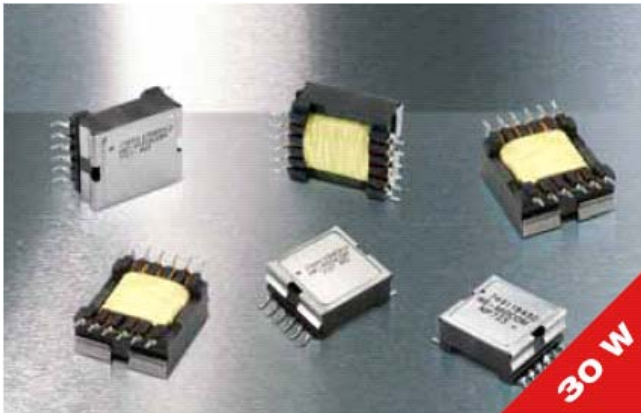


Power-over-Ethernet Plus Transformer

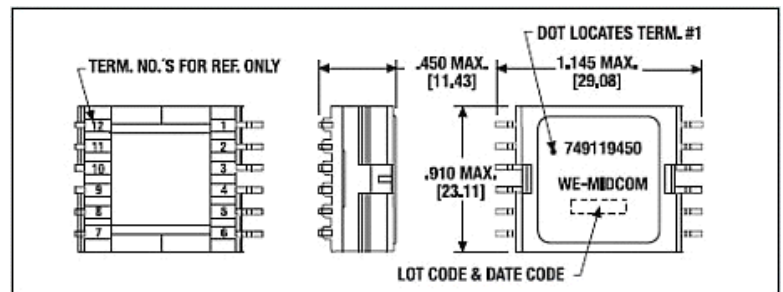
We-PoE+



Applications:

- PoE+ powered devices
- IP phones
- WLAN-Access points
- Security cameras

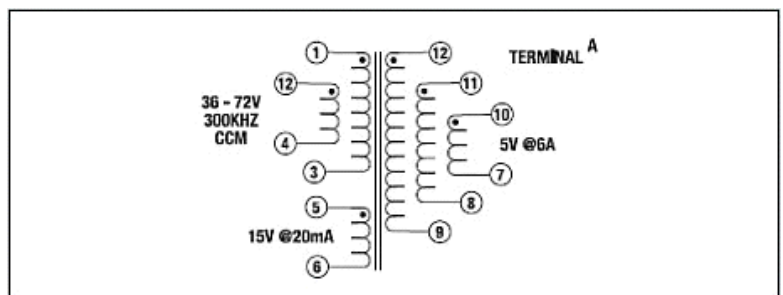
EFD 20 Mechanical dimensions:



Characteristics:

- Designed to meet 30W PoE+ objectives of IEEE302at
- Frequency range 250-400kHz
- Input voltage ranger: 36-72V
1.5kV Hipot test between primary and secondary
- Operating Temperature range
-40° to 125°C (incl. self heating)

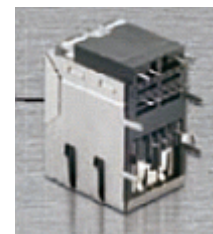
Schematics



WE-PoE+

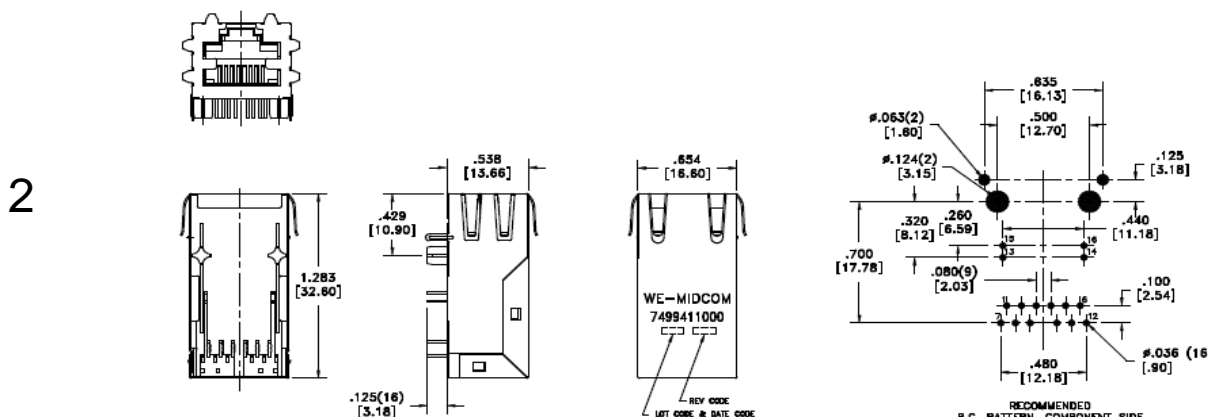
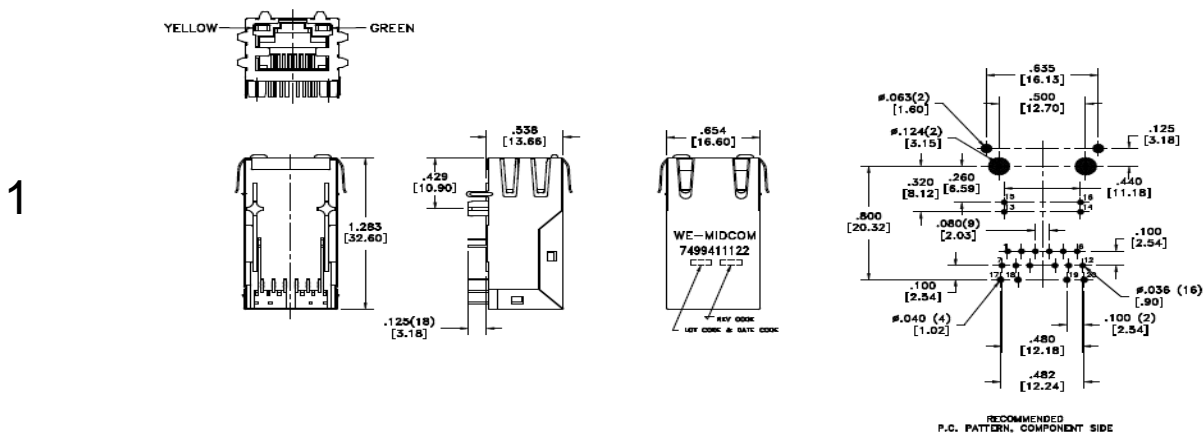
Order Code	Inductance (µH)	Turns Ratio	Output Voltage (V)	Output current (A)	Auxiliary Voltage (V)	DCR N1 (mΩ)	DCR N2 (mΩ)	DCR N3 (mΩ)	VPE
749 119 433	42	11:1:3.3	3.3	9	11	99	3.2	220	
749 119 450	65	7:1:3	5	6	15	116	4	230	
749 119 450 1	42	7:1:2.25	5	6	12	84	5	225	125
749 119 491 2	42	3:1:1	12	2.5	12	61	18	180	

WE-LAN Integrated RJ45



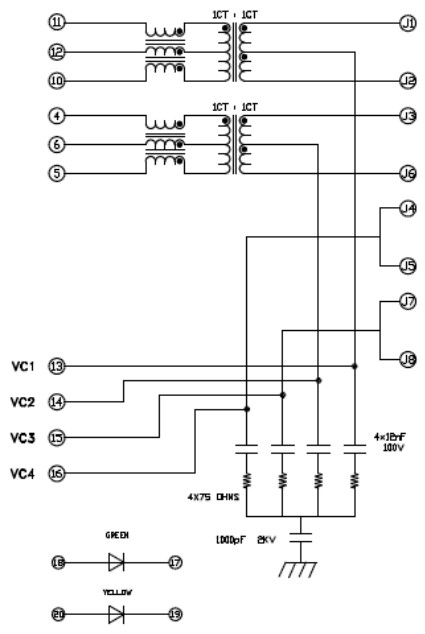
Part Number	Speed	Ports	LEDs	Schematic	Schematic	Mechanical
7499411000	10/100	1X1 Tab Up	None	Standard Performance	1	2
7499411001	10/100	1X1 Tab Up	None	Enhanced EMI Suppression	2	2
7499411121	10/100	1X1 Tab Up	Yellow-Green	Standard Performance	1	1
7499411122	10/100	1X1 Tab Up	Yellow-Green	Enhanced EMI Suppression	2	1
7499511000	Gigabit	1X1 Tab Up	None	Standard Performance	3	2
7499511001	Gigabit	1X1 Tab Up	None	Enhanced EMI Suppression	4	2
7499511610	Gigabit	1X1 Tab Up	Green/Orange-Yellow	Standard Performance	3	1
7499511611	Gigabit	1X1 Tab Up	Green/Orange-Yellow	Enhanced EMI Suppression	4	1

Mechanical Drawings

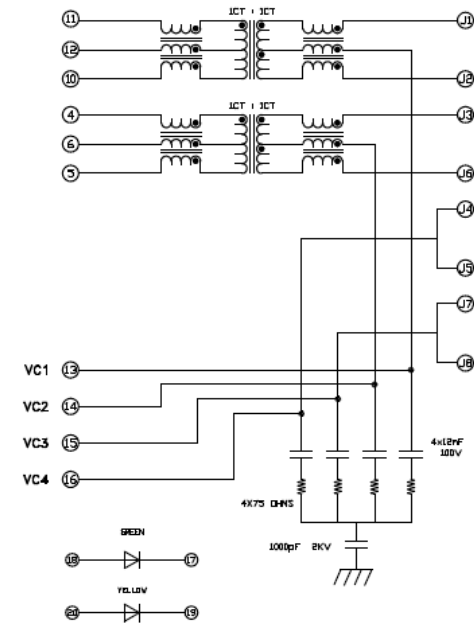


Schematics

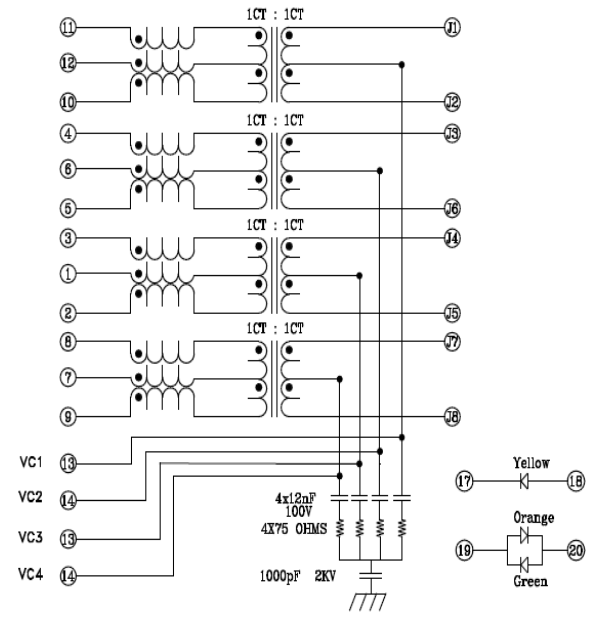
1



2



3



4

