

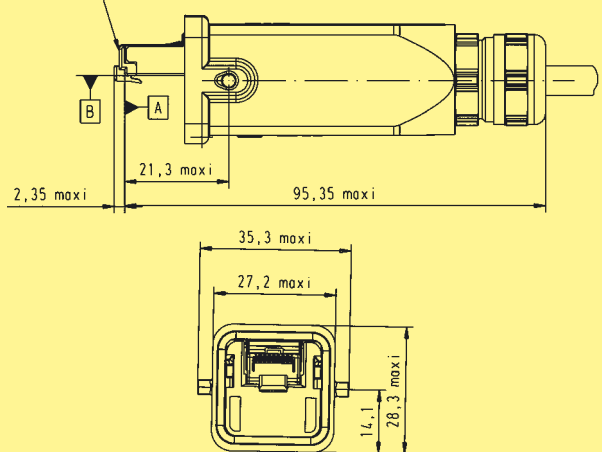


IP 67 Data 3A connectors, 4 pairs

Identification	Part No.	Drawing	Dimensions in mm
----------------	----------	---------	------------------

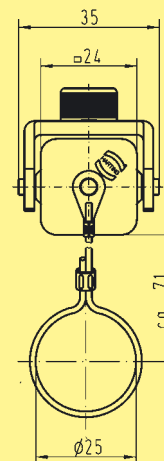
Connector set incl. housing, cable gland and instruction manual			
Plastic version	cable manager white ¹⁾	09 45 125 1500	
	cable manager blue ¹⁾	09 45 125 1510	
Standard metal version	cable manager white ¹⁾	09 45 115 1500	
	cable manager blue ¹⁾	09 45 115 1510	
Metal version M	cable manager white ¹⁾	09 45 115 1502	
	cable manager blue ¹⁾	09 45 115 1512	
Coding pin set		09 45 820 0000	

mating face according to IEC 60 603-7



Dimensions valid for the standard metal version

Protection cover for connectors with cord, IP 67/65			
Plastic version, grey		09 20 003 5442	
Standard metal version, grey		09 20 003 5422	
Metal version M, black		09 37 003 5402	



Dimensions valid for the plastic version

¹⁾ Details see page 11.47
Technical characteristics and general information see page 11.51


Category 6



IP 67 Data 3A connectors, 4 pairs

Technical characteristics

Transmission properties in accordance with Category 6 ISO/IEC 11 801:2002 and EN 50173-1

Protection level:	IP 67/65
Mating interface:	RJ 45 in accordance with IEC 60603-7
Wire gauge data ¹⁾ :	AWG 24-27 stranded
Temperature range:	-40 °C ... +70 °C
Cable sheath diameter:	6.5 mm - 6.9 mm
Mating cycles:	min. 500
Plastic housing material ²⁾ :	Polycarbonate, black UL 94-V0
Standard metal housing material ²⁾ :	Zinc die cast, grey
Metal housing M material ²⁾ :	Zinc die cast, alodined, powder coating, black
	UL recognised, E102079

General information

The IP 67 Data version of the RJ Industrial is based on the RJ 45 Category 6 Data module, integrated into a standard Han[®] 3A industry housing that can be used in any industrial application. The housing is practically available in plastic or metal, and offers protection class IP 67/65.

RJ Industrial is available in Han[®] M housings for higher environmental stress as well.

Implementing a uniform connector pattern for all the connectors based on the 3A contour for data and hybrid solutions means that all versions are plug-compatible for data signals. Use of optional coding prevents up to four connectors being incorrectly mated.

The HARTING RJ Industrial[®] Data 3A Category 6 is ideally suited to harsh industrial applications that require 4 pair or Gigabit Ethernet wiring.

For Category 6 patch cords it is recommended to use 1 connector with a white wire manager and 1 with a blue wire manager, in order to optimise the crosstalk between different signal pairs.

¹⁾ Details see technical data sheet

²⁾ Details see catalogue "Industrial Connectors Han[®]"