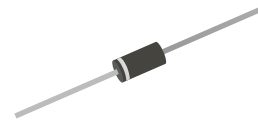


1N5400-G Thru. 1N5408-G

Voltage: 50 to 1000 V

Current: 3.0 A

RoHS Device

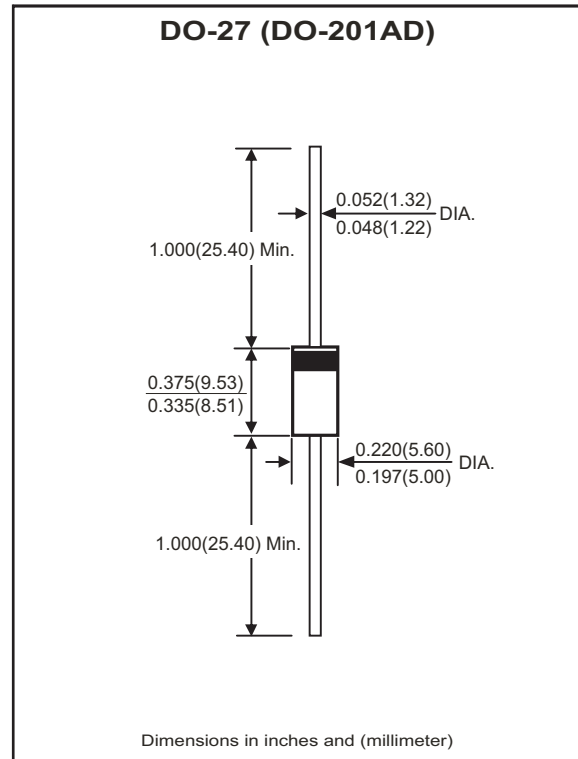


Features

- Low forward voltage drop.
- High reliability.
- High current capability.
- High surge current capability.

Mechanical data

- Case: Molded plastic
- Epoxy: UL 94V-0 rate flame retardant
- Polarity: Color band denotes cathode end
- Lead: Axial leads, solderable per MIL-STD-202, method 208 guaranteed
- Mounting position: Any
- Weight: 1.2 grams



Maximum Ratings and Electrical Characteristics (at $T_A=25^\circ\text{C}$ unless otherwise noted)

Ratings at 25°C ambient temperature unless otherwise specified.
Single phase, half wave, 60Hz, resistive or inductive load.
For capacitive load, derate current by 20%.

| Parameter | Symbol | 1N5400 -G | 1N5401 -G | 1N5402 -G | 1N5404 -G | 1N5406 -G | 1N5407 -G | 1N5408 -G | Unit |
|---|---------------------------|--------------|--------------|--------------|--------------|--------------|--------------|--------------|--------------------|
| Maximum repetitive peak reverse voltage | V_{RRM} | 50 | 100 | 200 | 400 | 600 | 800 | 1000 | V |
| Maximum RMS voltage | V_{RMS} | 35 | 70 | 140 | 280 | 420 | 560 | 700 | V |
| Maximum DC blocking voltage | V_{DC} | 50 | 100 | 200 | 400 | 600 | 800 | 1000 | V |
| Maximum average forward rectified current .375" (9.5mm) Lead length @ $T_A=75^\circ\text{C}$ | $I_{F(AV)}$ | 3.0 | | | | | | | A |
| Peak forward surge current, 8.3ms single half sine-wave superimposed on rated load (JEDEC method) | I_{FSM} | 200 | | | | | | | A |
| Maximum instantaneous forward voltage @3.0A | V_F | 1.0 | | | | | | | V |
| Maximum DC reverse current at rated DC blocking voltage | @ $T_J=25^\circ\text{C}$ | 5.0 | | | | | | | μA |
| | @ $T_J=100^\circ\text{C}$ | 100 | | | | | | | |
| Typical thermal resistance (Note 1) | $R_{\theta JA}$ | 18 | | | | | | | $^\circ\text{C/W}$ |
| Operating temperature range | T_J | -65 to +125 | | | | | | | $^\circ\text{C}$ |
| Storage temperature range | T_{STG} | -65 to +150 | | | | | | | $^\circ\text{C}$ |

NOTES:

1. Thermal resistance from junction to ambient 0.375" (9.5mm) lead length.

Rating and Characteristic Curves (1N5400-G Thru. 1N5408-G)

Fig.1 - Maximum Forward Current Derating Curve

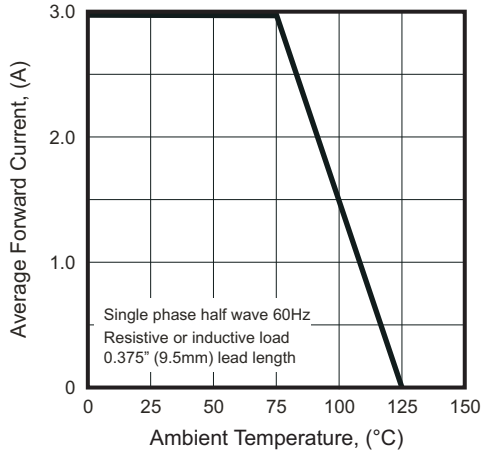


Fig.2 - Typical Instantaneous Forward Characteristics Per Bridge Element

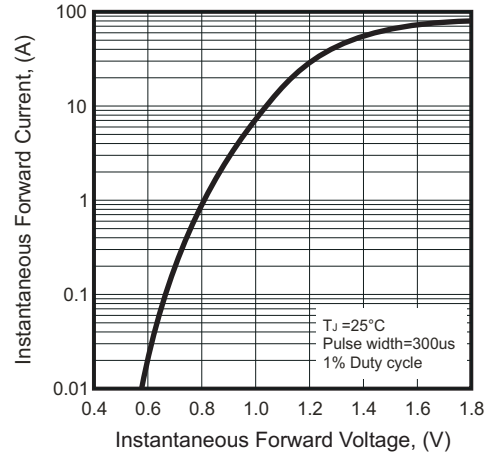


Fig.3 - Maximum Non-repetitive Forward Surge Current Per Bridge Element

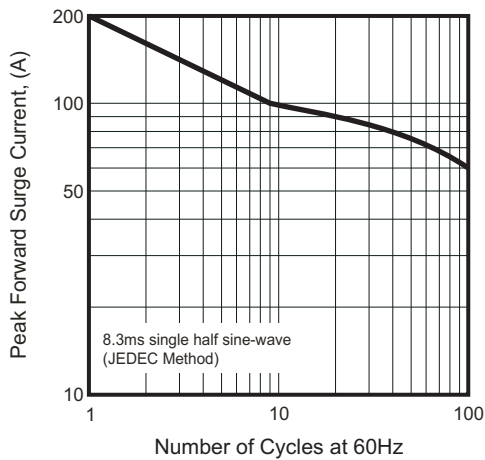
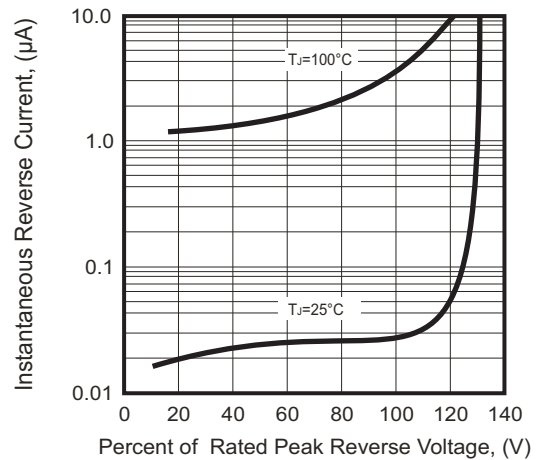
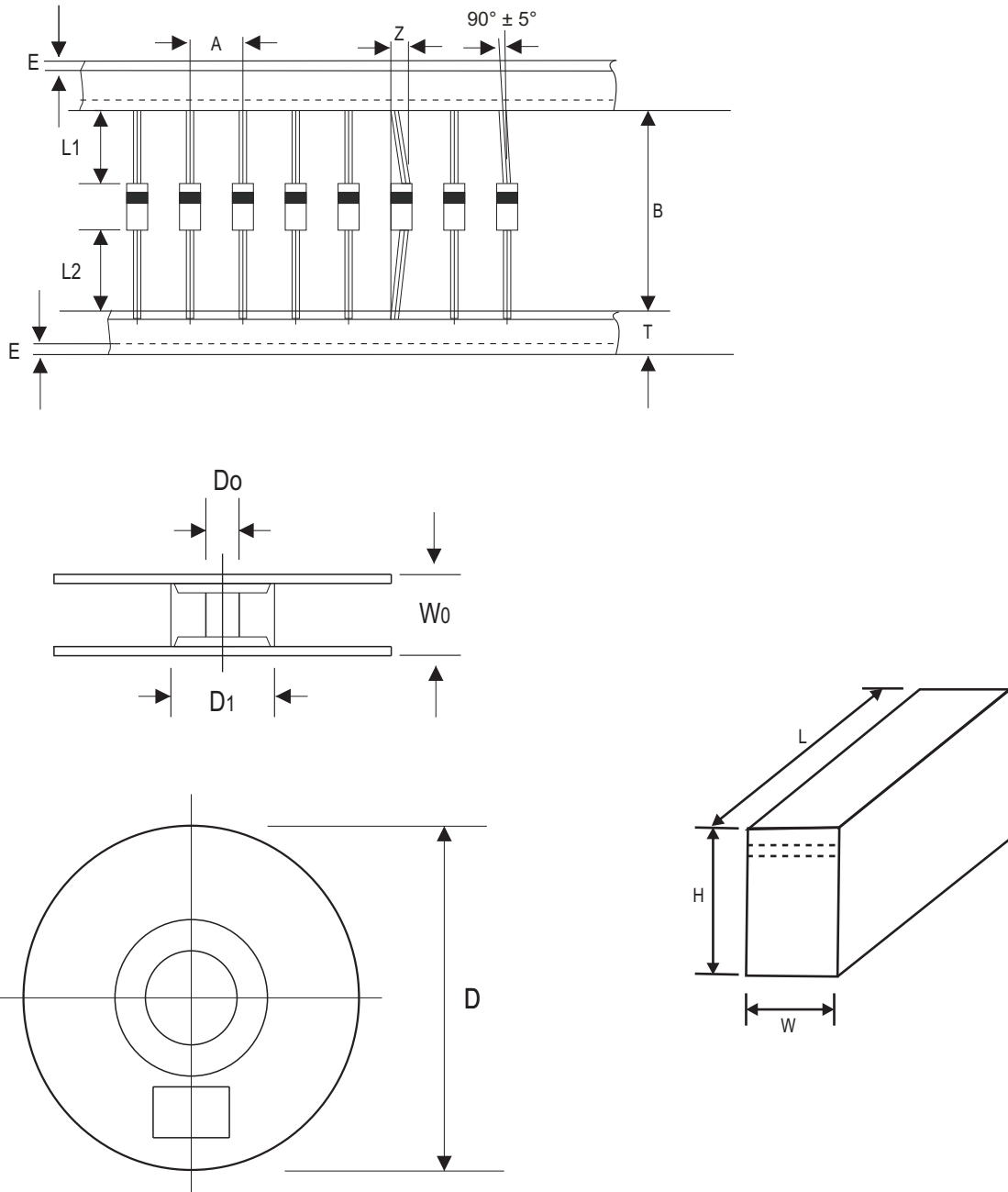


Fig.4 - Typical Reverse Characteristics Per Bridge Element



Taping Specification For Axial Lead Diodes



| DO-27 (DO-201AD) | SYMBOL | A | B | Z | T | E | L1 | L2 |
|---------------------|--------|-------------------|-------------------|-------------|-------------------|-------------|-------------|-------------|
| | (mm) | 10.00 ± 0.50 | 52.00 ± 0.50 | 1.20 (max) | 6.00 ± 0.40 | 1.00 (max) | 1.00 (max) | 1.00 (max) |
| | (inch) | 0.394 ± 0.020 | 2.047 ± 0.020 | 0.047 (max) | 0.236 ± 0.016 | 0.039 (max) | 0.039 (max) | 0.039 (max) |

| DO-27 (DO-201AD) | SYMBOL | D1 | D0 | D | W0 | L | W | H |
|---------------------|--------|-------------------|-------------------|--------|-------------------|--------|-------|--------|
| | (mm) | 85.70 ± 0.30 | 16.60 ± 0.40 | 330.00 | 72.00 ± 3.00 | 260.00 | 75.00 | 145.00 |
| | (inch) | 3.374 ± 0.012 | 0.654 ± 0.016 | 13.000 | 2.835 ± 0.118 | 10.236 | 2.953 | 5.709 |

Marking Code

| Part Number | Marking code | Packaging |
|-------------|--------------|-----------|
| 1N5400-G | 1N5400 | AMMO |
| 1N5401-G | 1N5401 | AMMO |
| 1N5402-G | 1N5402 | AMMO |
| 1N5404-G | 1N5404 | AMMO |
| 1N5406-G | 1N5406 | AMMO |
| 1N5407-G | 1N5407 | AMMO |
| 1N5408-G | 1N5408 | AMMO |
| 1N5400T-G | 1N5400 | REEL |
| 1N5401T-G | 1N5401 | REEL |
| 1N5402T-G | 1N5402 | REEL |
| 1N5404T-G | 1N5404 | REEL |
| 1N5406T-G | 1N5406 | REEL |
| 1N5407T-G | 1N5407 | REEL |
| 1N5408T-G | 1N5408 | REEL |



XX = Product type marking code

Note:

1) Suffix code after part number to specify packaging item .

| Packaging | Code |
|-----------|------|
| AMMO PACK | NA |
| REEL PACK | T |

Standard Packaging

| Case Type | AMMO PACK | |
|---------------------|----------------|-------------------|
| | BOX (pcs) | CARTON (pcs) |
| DO-27 (DO-201AD) | 1,200 | 12,000 |

| Case Type | REEL PACK | |
|---------------------|-----------------|---------------------|
| | REEL (pcs) | Reel Size (inch) |
| DO-27 (DO-201AD) | 1,200 | 13 |

Mouser Electronics

Authorized Distributor

Click to View Pricing, Inventory, Delivery & Lifecycle Information:

[Comchip Technology:](#)

[1N5400-G](#) [1N5401-G](#) [1N5402-G](#) [1N5404-G](#) [1N5406-G](#) [1N5407-G](#) [1N5408-G](#)