



MANUFACTURED TO
ISO 9001 STANDARDS

Description:

Precision temperature control/sensing

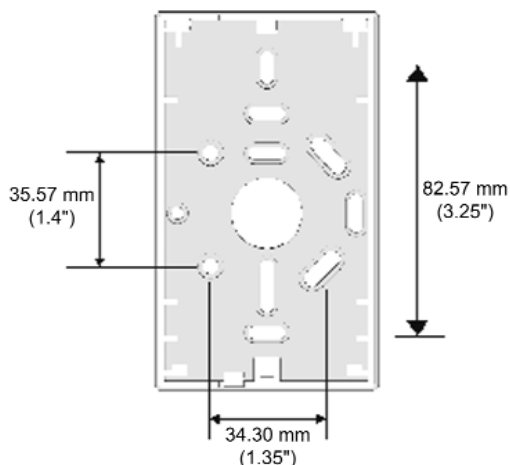
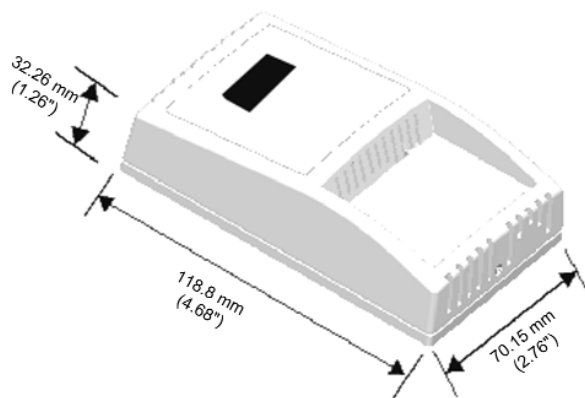
The CTE500 is a precision current loop temperature transmitter featuring a three digit LCD indication of the temperature signal that is being sent to the control system. The LCD display is factory configured to display readings in °F.

The transmitter provides a high accuracy signal with excellent long term stability, low hysteresis and fast response while being virtually immune to power supply noise and input voltage fluctuations. All models operate on a wide range of AC or DC power supplies.

Features:

- LCD indication
- Fahrenheit display
- Precision RTD sensing element
- Integral Zero and Span adjustments (CTE500)
- NEW functional and attractive enclosure
- Installer-friendly wiring access
- Highest quality double-sided FR4 PCB's

Dimensions:



Specifications:

4-20 mA Loop Power Supply.....	18 to 35 Vdc or 18 to 32 Vac (with 250 ohm load and no LCD) 22 to 35 Vdc or 22 to 32 Vac (with 250 ohm load and LCD)
Minimum Loop Current	2 mA nominal, (occurs with shorted sensor)
Maximum Loop Current	22.5 mA nominal, (occurs with open sensor)
Maximum Loop Load	> 600 ohms at 24 Vac/dc with no LCD, > 325 ohms with LCD
Input Voltage Effect	Negligible over specified operating range
RFI Rejection	Good RFI rejection of normal frequencies with standard Installation
Protection Circuitry	Reverse voltage protected and output limited
Output Signal	4-20 mA current loop
Transmitter Accuracy	±0.1% of span, including linearity
Temperature Sensor Type	1000 ohm platinum RTD standard (class B, 385 Alpha, thin film)
Temperature Calibration	Three point with precision calibration standards
Display Units	°F (Factory set)
Display Range	0.0 to 35.0°C typical range for transmitter (other ranges available)
Display Resolution	0.1°C or 0.1°F for display of 00.0 to 99.9
Display Accuracy	±0.2°C or ±0.2° over full range with respect to the output signal
Display Update Rate	3 times per second
Display Size	0.95" W x 0.45" H (24mm x 11mm) three digit
Operating Temperature	0 to 70°C (32 to 158°F)
Operating Humidity	0 to 95% RH (non-condensing)
Wiring Connections	Two or three wires, screw terminal block, (14 to 22 AWG)
Manufacturing Process	ISO 9001 Certified
Internal Adjustments	Clearly marked ZERO and SPAN pots
Enclosure Size	AE: 70.15 W x 118.9 H x 32.26 D mm (2.76" W x 4.68" H x 1.28") universal back plates mount to any wall box or may be flush mounted

Ordering Information:

CTE500AE12AF1A1 Sensor assembly with transmitter, executive enclosure, PT1000-1000 ohms Platinum, IEC 751, 385 Alpha, thin film, 3-digit LCD temperature indicator °F, Current 4 - 20mA, 32°F-95°F

