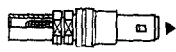


01 Series—Minax Shells

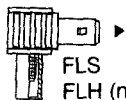
Straight and elbow plugs



FFS



FPA



FLS

FLH (non-latching)

Straight and elbow receptacles



ERA



ECP



EPL



EPA

Straight receptacles



PCS



PSS

Plug with resistor



FRT

Straight couplers

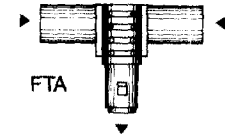


RMA



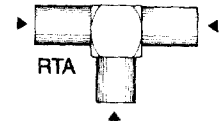
RAD

Elbow plug with receptacle



FTA

T coupler



RTA

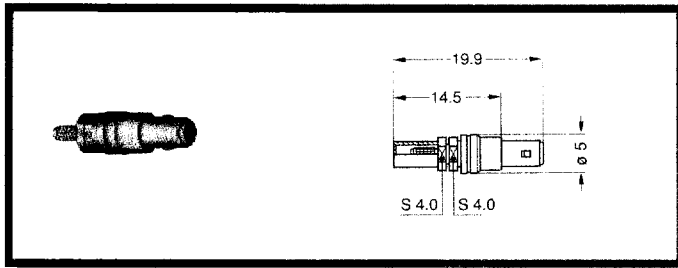
Model description

ABA Adapter from LEMO receptacle to BNC plug
UG88/U type
ECP Fixed receptacle, nut fixing, non-latching (back
panel mounting)
EPA Fixed receptacle for printed circuit
EPL Elbow receptacle (90°) for printed circuit

ERA Fixed receptacle, nut fixing
FFS Straight plug for cable crimping
FLS Elbow plug (90°) for cable crimping
FLH Elbow plug (90°) for cable crimping, non-latching
FPA Straight plug, non-latching, for printed circuit
FRT Straight plug with resistor
FTA T-plug with two in line receptacles

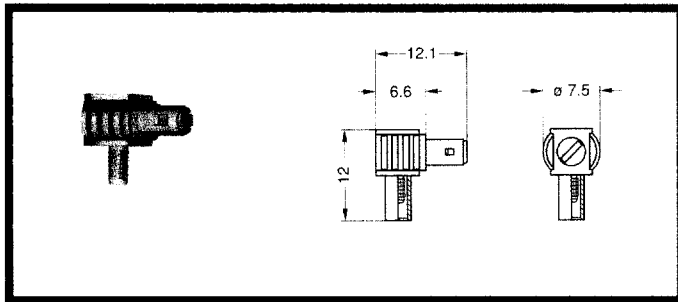
PCS Free receptacle for cable crimping
PSS Fixed receptacle, nut fixing, for cable crimping
RAD Fixed coupler, nut fixing
RMA Free coupler
RTA T-coupler with three receptacles

01 Series—Minax Shells continued



FFS
Straight Plug for Cable Crimping

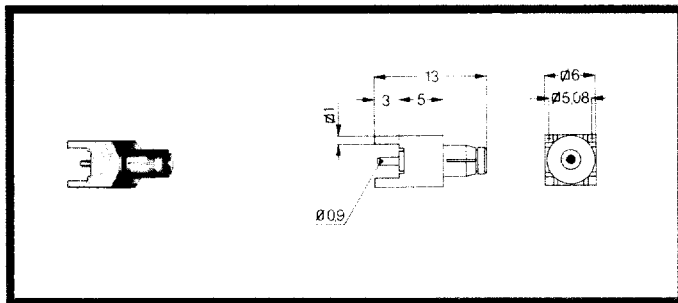
Part Number	Cable Group
FFS.01.250.DLAE24	1
FFS.01.250.DLAE31	2



FLS/FLH (Non-Latching)
Elbow Plug (90°) for Cable Crimping

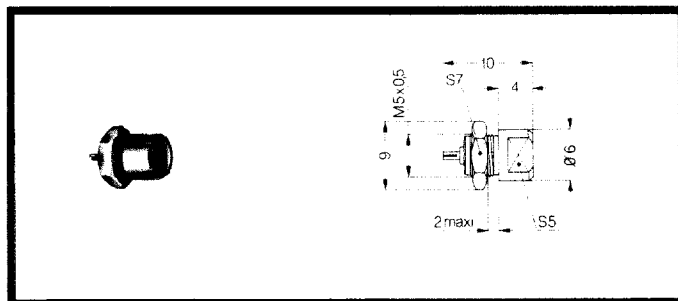
Part Number	Cable Group	Dimensions		
		A	B	C
FLS.01.250.DLAE24	1	19.5	12	7.5
FLS.01.250.DLAE31	2	19.5	12	7.5
* FLH.01.250.DLAE24	1	14.5	11	6
* FLH.01.250.DLAE31	2	14.5	11	6

* Model FLH uses crimp tool part number DPB.99.123.8K
See page 19 for more information on crimp tool.



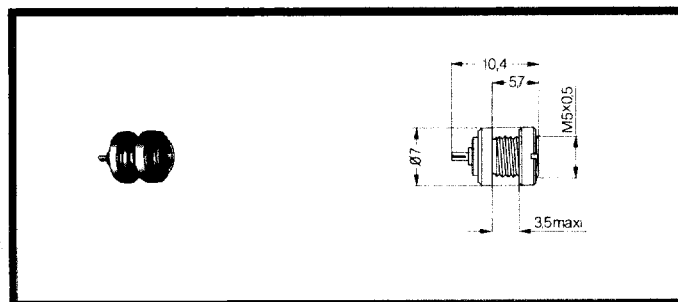
FPA
Straight Plug, Non-Latching, for Printed Circuit

Part Number	Weight (g)
FPA.01.250.DLD	1.4



ERA
Fixed Receptacle, Nut Fixing

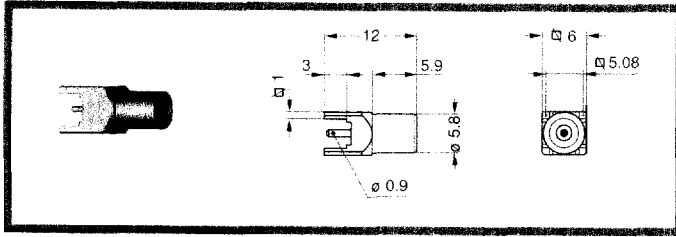
Part Number	Weight (g)
ERA.01.250.DLL	1.3



ECP
Fixed Receptacle, Nut Fixing, Non-Latching (Back Panel Mounting)

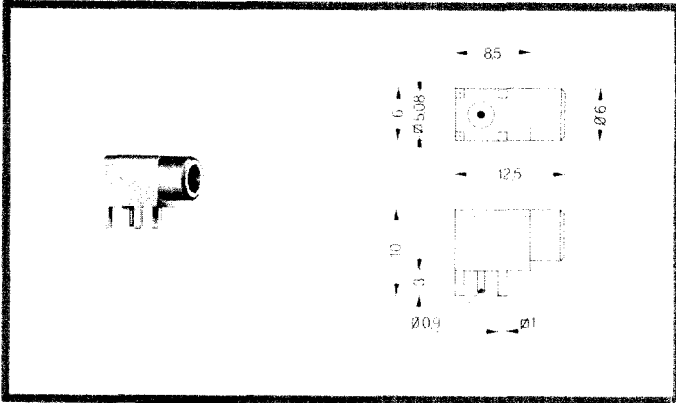
Part Number	Weight (g)
ECP01.250.DLL	1.3

01 Series—Minax Shells continued



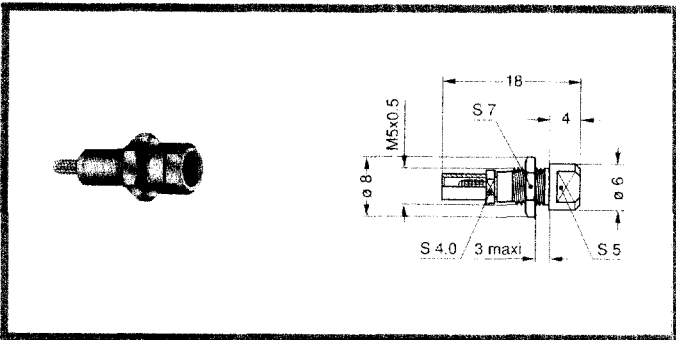
EPA
Fixed Receptacle for Printed Circuit

Part Number	Weight (g)
EPA.01.250.DLN	2



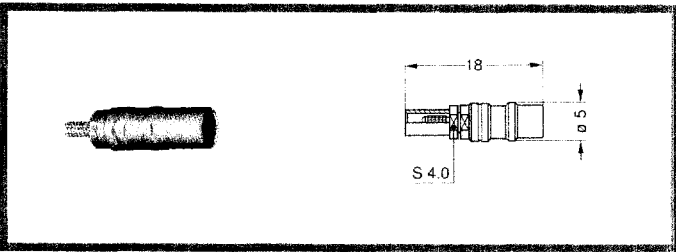
EPL
Elbow Receptacle (90°) for Printed Circuit

Part Number	Weight (g)
EPL.01.250.DLN	3.2



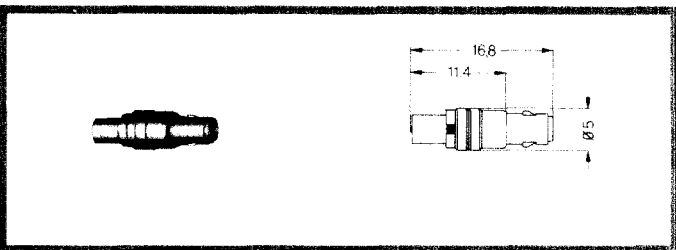
PSS
Fixed Receptacle, Nut Fixing, for Cable Crimping

Part Number	Cable Group
PSS.01.250.DLLE24	1
PSS.01.250.DLLE31	2



PCS
Free Receptacle for Cable Crimping

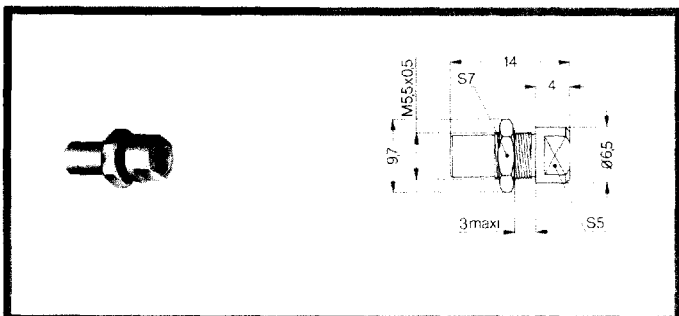
Part Number	Cable Group
PCS.01.250.DLLE24	1
PCS.01.250.DLLE31	2



FRT
Straight Plug with Resistor

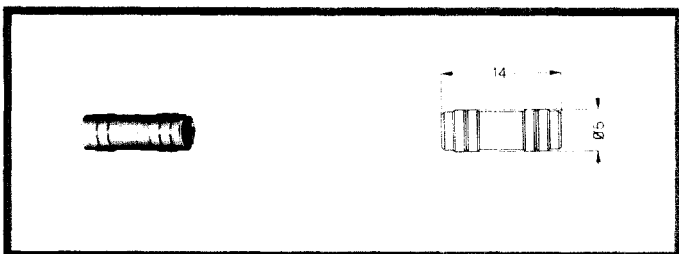
Part Number	Resistance	Weight (g)
FRT.01.250.DLA50	50Ω 1/8W	2.5

01 Series—Minax Shells continued



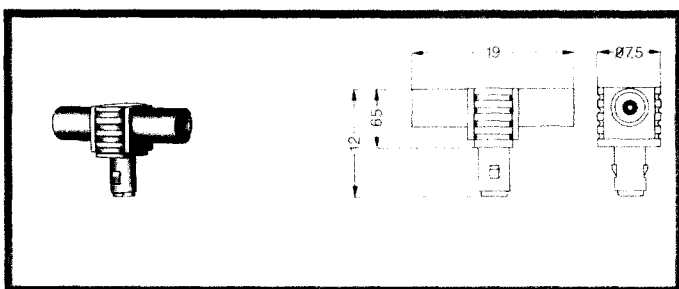
RAD
Fixed Coupler, Nut Fixing

Part Number	Weight (g)
RAD.01.250.DLM	1.8



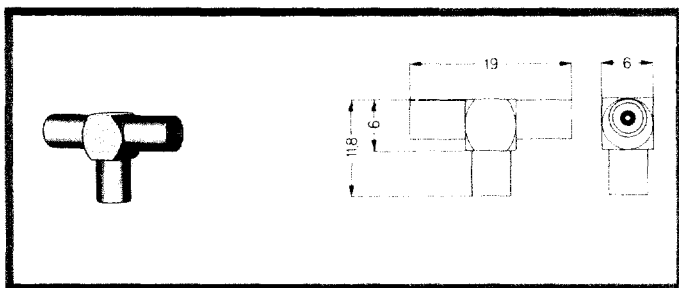
RMA
Free Coupler

Part Number	Weight (g)
RMA.01.250.DLM	1.1



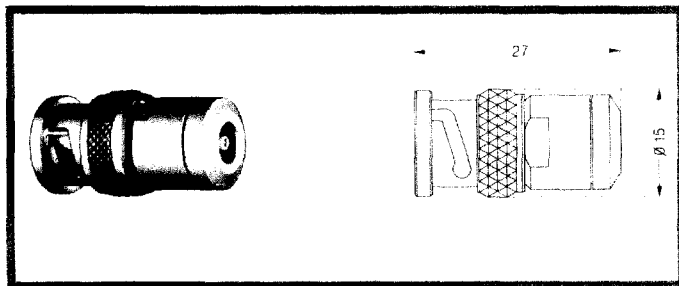
FTA
T-plug with Two In-Line Receptacles

Part Number	Weight (g)
FTA.01.250.DLF	2.5



RTA
T-coupler with Three Receptacles

Part Number	Weight (g)
RTA.01.250.DLX	2.4



ABA
Adapter from LEMO Receptacle to BNC Plug Type UG88/U

Part Number	Weight (g)
ABA.01.250.NLL	18.2