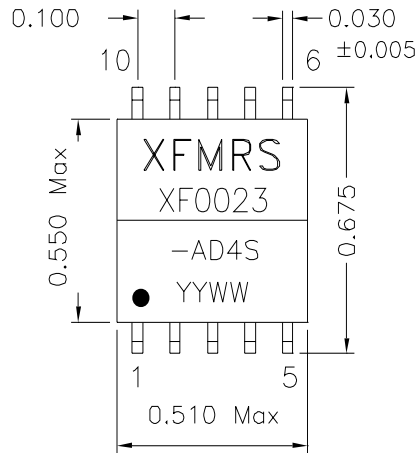
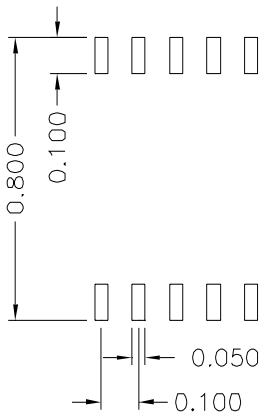
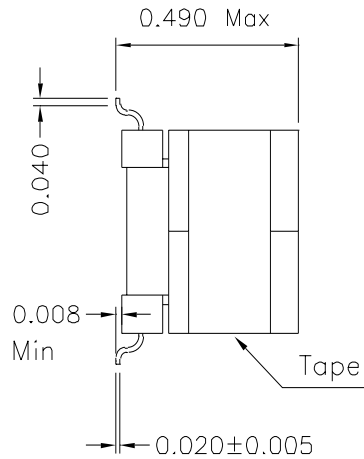


1. Mechanical Dimensions:



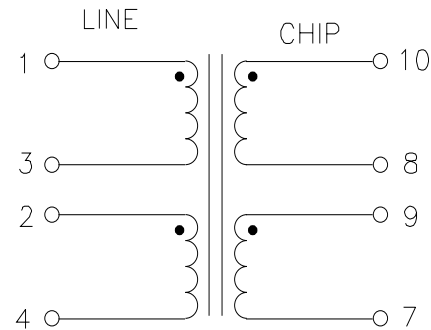
CO-PLANARITY: 0.004 Max



Suggested PCB Layout

Note: Designed to meet UL1950 for supplementary insulation, 250 working volts.

2. Schematic:



3. Electrical Specifications:

- Turns Ratio: 1-4:10-7 1:1.27 Tie P2-3,8-9
- Isolation Voltage: 2500VAC (CHIP to LINE)
- OCL: P1-4 1.80mH MIN 10KHz 0.1V Tie P2-3
- OCL: P10-7 2.90mH MIN 10KHz 0.1V Tie P8-9
- LL: 1-4 7.5uH Max 100KHz 0.1V
Tie P2-3, Short P8-9-10-7
- DC Res.: 10-7 2.0 Ohms MAX
1-4 2.0 Ohms MAX
- LOAD: 100 Ohms
- THD: -80dB @30KHz
- Long. Bal.: 50dB Min @30KHz-1.1MHz
- Insertion Loss: 0.5dB Max @100KHz
- Freq. Resp.: ±1dB @30KHz-1.1MHz

DOC. REV: A/1

XFMRS Inc	Title: ADSL LINE DRIVER XFMR			
	UNLESS OTHERWISE SPECIFIED TOLERANCES: .xxx ±0.010 Dimensions in INCH	P/N: XF0023-AD4S		REV. A
		DWN.	李清儿	Dec-6-99
		CHK.	孙小松	Dec-6-99
Scale 1.5:1 SHT 1 OF 1	APP.	Buddy	Dec-6-99	