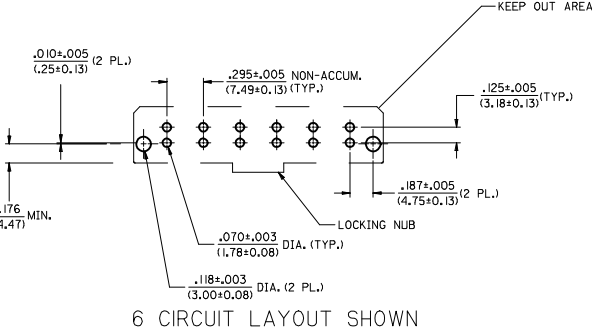


SEE SHEET 2 AND 3 FOR ITEM NUMBER CHART

RECOMMENDED P.C. BOARD LAYOUT FOR VERTICAL HEADERS

SCALE 2:1



6 CIRCUIT LAYOUT SHOWN

NOTES:

- INSULATOR MATERIAL (SEE CHART):
A = 30% GLASS FILLED 46 NYLON, 94V-0, COLOR: BLACK.
TERMINAL MATERIAL: BRASS
- TERMINAL FINISH: 60 MICRINCH (1.50 MICROMETER) MINIMUM TIN OVER 50 MICRINCH (1.25 MICROMETER) MINIMUM NICKEL.
- PRODUCT SPECIFICATION: PS-4444I-9999.
- PACKAGING: SEE CHART.
- THESE HEADERS MATE WITH 43179, 43335, OR 44441 RECEPTACLE HOUSINGS.
- HEADERS INDICATED AS 'FINGER-PROOF' ARE DESIGNED TO MINIMIZE ACCESSIBILITY TO LIVE PARTS. PER UL1977 AND UL60950 (FORMERLY UL1950) FINGER PROBE REQUIREMENTS.
- SEE SHEETS 1, 2 AND 3 FOR VERTICAL HEADER ASSEMBLY AND THEIR RESPECTIVE PART NUMBERS.
- SEE SHEETS 4, 5 AND 6, FOR RIGHT ANGLE HEADER ASSEMBLIES AND THEIR RESPECTIVE PART NUMBERS.
- TERMINALS ARE ON .295/(7.49) CENTERLINE SPACING.
- DIMENSIONS ARE FOR REFERENCE ONLY, UNLESS INDICATED OTHERWISE.
- THIS PART CONFORMS TO CLASS B REQUIREMENTS OF COSMETIC SPEC PS-45499-002.

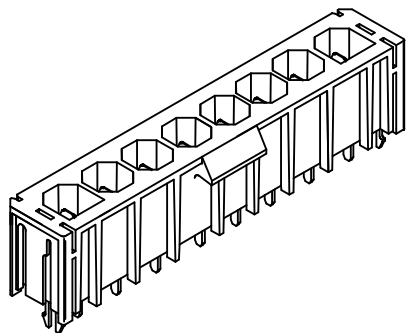
SOLDER TAIL	DIM. 'A' ±.020/(0.51)
SHORT	.150/(3.81)
LONG	.210/(5.33)

BOARD LOCK	DIM. 'B' ±.004/(0.15)
.062	.070/(1.78)
.094	.102/(2.59)
.125	.133/(3.38)

NOTE 6 ELEC NO: UCP2015-2602 DRAWN: DFOX 2014/12/23 CHKD: BANDERSON 2014/12/23 APPR: FSMITH 2015/01/05 REV: D1	QUALITY SYMBOLS ∇=0 ∇=0 ∇=0	GENERAL TOLERANCES (UNLESS SPECIFIED): <table border="1"> <thead> <tr> <th></th> <th>mm</th> <th>INCH</th> </tr> </thead> <tbody> <tr> <td>4 PLACES</td> <td>±.005</td> <td>±.0005</td> </tr> <tr> <td>3 PLACES</td> <td>±.010</td> <td>±.0010</td> </tr> <tr> <td>2 PLACES</td> <td>±.013</td> <td>±.0013</td> </tr> <tr> <td>1 PLACE</td> <td>±.025</td> <td>±.0025</td> </tr> <tr> <td>0 PLACES</td> <td>±.050</td> <td>±.0050</td> </tr> </tbody> </table> ANGULAR ±1/2° DRAFT WHERE APPLICABLE MUST REMAIN WITHIN DIMENSIONS		mm	INCH	4 PLACES	±.005	±.0005	3 PLACES	±.010	±.0010	2 PLACES	±.013	±.0013	1 PLACE	±.025	±.0025	0 PLACES	±.050	±.0050	DIMENSION STYLE: IN/MM SCALE: 3:1 DESIGN UNITS: INCH THIRD ANGLE PROJECTION	DRAWN BY: C STEWART DATE: 04/28/05 CHECKED BY: DATE: APPROVED BY: FSMITH DATE: 2015/01/05	TITLE: SABRE HEADER ASSY 2-6 & 8 CIR. FINGER-PROOF molex DOCUMENT NO: SD-46007-001 SHEET NO: 1 OF 6
		mm	INCH																				
	4 PLACES	±.005	±.0005																				
	3 PLACES	±.010	±.0010																				
2 PLACES	±.013	±.0013																					
1 PLACE	±.025	±.0025																					
0 PLACES	±.050	±.0050																					
MATERIAL NO: SEE CHART																							
THIS DRAWING CONTAINS INFORMATION THAT IS PROPRIETARY TO MOLEX INCORPORATED AND SHOULD NOT BE USED WITHOUT WRITTEN PERMISSION																							
SIZE: D																							

	20	19	18	17	16	15	14	13	12	11	10	9	8	7	6	5	4	3	2	1		
M	VERTICAL HEADER ASSEMBLY ITEM NO.	PART CHARACTERISTICS FOR VERTICAL HEADER				PACKAGING SPECIFICATIONS	VERTICAL HEADER ASSEMBLY ITEM NO.	PART CHARACTERISTICS FOR VERTICAL HEADER				PACKAGING SPECIFICATIONS	VERTICAL HEADER ASSEMBLY ITEM NO.	PART CHARACTERISTICS FOR VERTICAL HEADER				PACKAGING SPECIFICATIONS				
		CIRCUIT SIZE	HSG. MAT'L (SEE NOTE 1)	SOLDER TAIL	BOARD LOCK		CIRCUIT SIZE	HSG. MAT'L (SEE NOTE 1)	SOLDER TAIL	BOARD LOCK		CIRCUIT SIZE	HSG. MAT'L (SEE NOTE 1)	SOLDER TAIL	BOARD LOCK							
	46007-0102	2	A	SHORT	N/A	PK-43160-0010	46007-0104	4	A	SHORT	N/A	PK-43160-0010	46007-0106	6	A	SHORT	N/A	PK-43160-0010				
	46007-0302	2	A	LONG	N/A	PK-43789-001	46007-0304	4	A	LONG	N/A	PK-43789-001	46007-0306	6	A	LONG	N/A	PK-43789-001				
L	46007-2102	2	A	SHORT	.062	PK-43789-001	46007-2104	4	A	SHORT	.062	PK-43789-001	46007-2106	6	A	SHORT	.062	PK-43789-001				
	46007-4102	2	A	SHORT	.094	PK-43789-001	46007-4104	4	A	SHORT	.094	PK-43789-001	46007-4106	6	A	SHORT	.094	PK-43789-001				
	46007-4302	2	A	LONG	.094	PK-43789-001	46007-4304	4	A	LONG	.094	PK-43789-001	46007-4306	6	A	LONG	.094	PK-43789-001				
	46007-6302	2	A	LONG	.125	PK-43789-001	46007-6304	4	A	LONG	.125	PK-43789-001	46007-6306	6	A	LONG	.125	PK-43789-001				
K	46007-0103	3	A	SHORT	N/A	PK-43160-0010	46007-0105	5	A	SHORT	N/A	PK-43160-0010										
	46007-0303	3	A	LONG	N/A	PK-43789-001	46007-0305	5	A	LONG	N/A	PK-43789-001										
	46007-2103	3	A	SHORT	.062	PK-43789-001	46007-2105	5	A	SHORT	.062	PK-43789-001										
	46007-4103	3	A	SHORT	.094	PK-43789-001	46007-4105	5	A	SHORT	.094	PK-43789-001										
J	46007-4303	3	A	LONG	.094	PK-43789-001	46007-4305	5	A	LONG	.094	PK-43789-001										
	46007-6303	3	A	LONG	.125	PK-43789-001	46007-6305	5	A	LONG	.125	PK-43789-001										

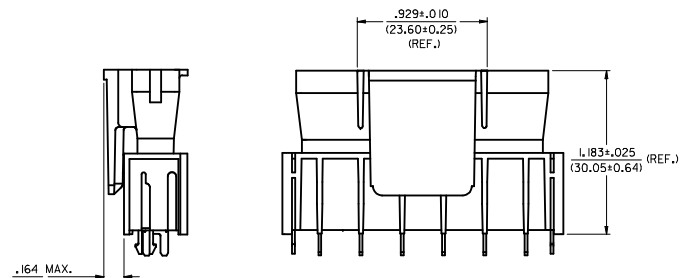
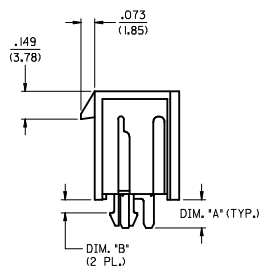
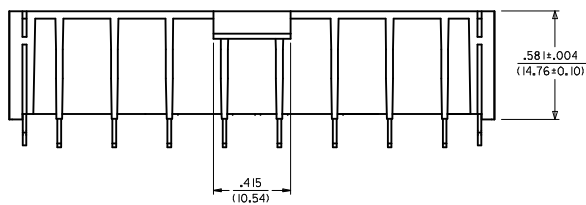
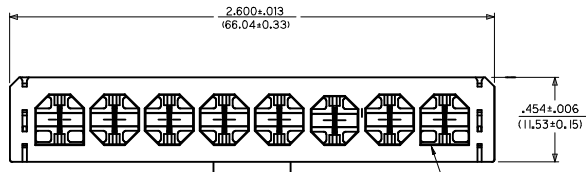
SEE SHEET 1 IEC NO. UCP2015-2602 DRAWN: JDFOX CHECKED: BANDERSON APPR: FSMITH DATE: 2014/10/23 DATE: 2014/10/23 DATE: 2015/01/05	QUALITY SYMBOLS ▽=0 ▽=0 ▽=0	GENERAL TOLERANCES (UNLESS SPECIFIED)		DIMENSION STYLE IN/MM	SCALE 3:1	DESIGN UNITS INCH	THIRD ANGLE PROJECTION		
		4 PLACES ±.005 3 PLACES ±.005 2 PLACES ±0.13 ±.01 1 PLACE ±0.25 ±.01 0 PLACE ±.005 ±.01	mm INCH	DRAWN BY C STEWART	DATE 04/28/05	TITLE SABRE HEADER ASSY 2-6 & 8 CIR. FINGER-PROOF			
		ANGULAR ±1/2° DRAFT WHERE APPLICABLE MUST REMAIN WITHIN DIMENSIONS	MATERIAL NO. SEE CHART	APPROVED BY FSMITH	DATE 2015/01/05	DOCUMENT NO. SD-46007-001			
		SHEET NO. 2 OF 6				THIS DRAWING CONTAINS INFORMATION THAT IS PROPRIETARY TO MOLEX INCORPORATED AND SHOULD NOT BE USED WITHOUT WRITTEN PERMISSION			



BOARD LOCK	DIM. 'B' ±.004/(0,10)
.062	.070/(1,78)
.094	.102/(2,59)
.125	.133/(3,38)

SOLDER TAIL	DIM. 'A' ±.020/(0,51)
SHORT	.150/(3,81)
LONG	.210/(5,33)

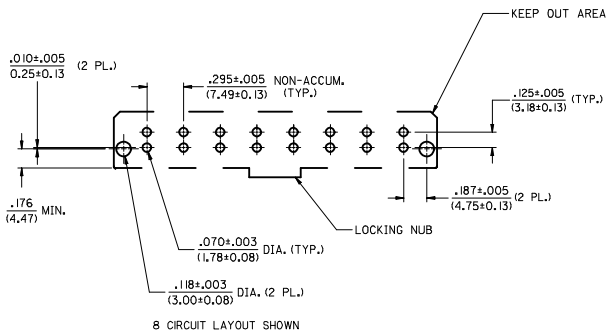
VERTICAL HEADER ASSEMBLY ITEM NO.	PART CHARACTERISTICS FOR VERTICAL HEADER				PACKAGING SPECIFICATIONS
	CIRCUIT SIZE	HSG. MAT'L (SEE NOTE 1)	SOLDER TAIL	BOARD LOCK	
46007-0108	8	A	SHORT	N/A	PK-43160-0010
46007-0308	8	A	LONG	N/A	PK-43789-001
46007-2108	8	A	SHORT	.062	PK-43789-001
46007-4108	8	A	SHORT	.094	PK-43789-001
46007-4308	8	A	LONG	.094	PK-43789-001
46007-6308	8	A	LONG	.125	PK-43789-001



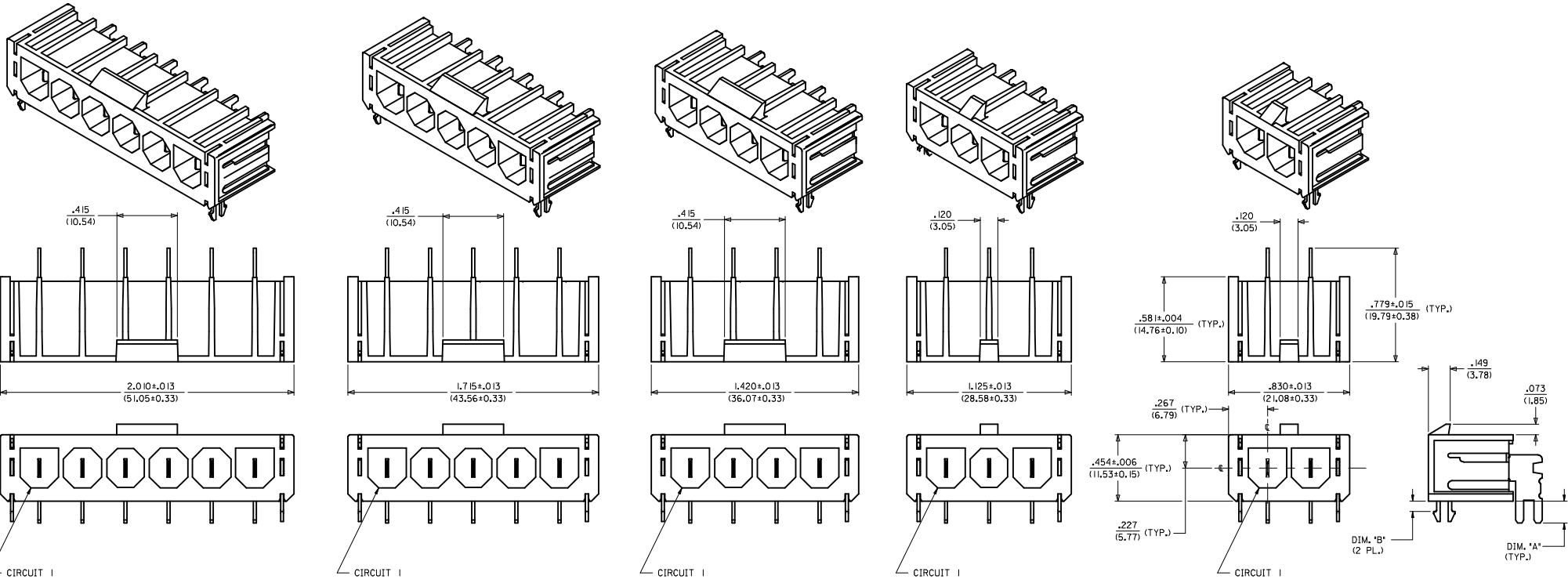
MATED SABRE CONNECTOR
NO SCALE

RECOMMENDED P.C. BOARD LAYOUT FOR VERTICAL HEADERS

SCALE 2:1



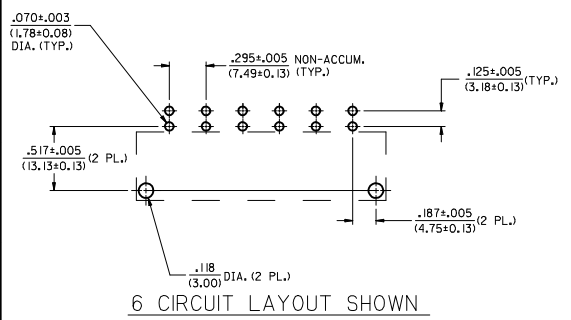
SEE SHEET 1 IEC NO. UCP2015-2602 DRAWN: DFOX 2014/10/23 CHKD: BANDERSON 2014/10/23 APPR: FSMITH 2015/01/05 REV: D1	QUALITY SYMBOLS ▽=0 ▽=0 ▽=0	GENERAL TOLERANCES (UNLESS SPECIFIED) mm INCH 4 PLACES ±.005 ±.005 3 PLACES ±.010 ±.010 2 PLACES ±0.13 ±.01 1 PLACE ±0.25 ±.02 0 PLACE ±.000 ±.000 ANGULAR ±1/2° DRAFT WHERE APPLICABLE MUST REMAIN WITHIN DIMENSIONS	DIMENSION STYLE IN/MM SCALE 3:1 DESIGN UNITS INCH THIRD ANGLE PROJECTION	DRAWN BY C STEWART DATE 04/28/05 CHECKED BY DATE APPROVED BY DATE FSMITH 2015/01/05	TITLE SABRE HEADER ASSY 2-6 & 8 CIR. FINGER-PROOF molex	MATERIAL NO. SEE CHART DOCUMENT NO. SD-46007-001	SHEET NO. 3 OF 6
	THIS DRAWING CONTAINS INFORMATION THAT IS PROPRIETARY TO MOLEX INCORPORATED AND SHOULD NOT BE USED WITHOUT WRITTEN PERMISSION						



SEE SHEET 5 AND 6 FOR ITEM NUMBER CHART

RECOMMENDED P.C. BOARD LAYOUT FOR RIGHT ANGLE HEADERS

SCALE: 2:1



6 CIRCUIT LAYOUT SHOWN

- NOTES:**
- INSULATOR MATERIAL (SEE CHART)
A = 30% GLASS-FILLED 46 NYLON, 94V-0, COLOR: BLACK
TERMINAL MATERIAL: BRASS
 - TERMINAL FINISH: 60 MICRINCH (.150 MICROMETER) MINIMUM TIN OVER
50 MICRINCH (.125 MICROMETER) MINIMUM NICKEL.
 - PRODUCT SPECIFICATION: PS-44441-9999.
 - PACKAGING: SEE CHART.
 - THESE HEADERS MATE WITH 43179, 43335, OR 44441 RECEPTACLE HOUSINGS.
 - HEADERS INDICATED AS 'FINGER-PROOF' ARE DESIGNED TO MINIMIZE ACCESSIBILITY TO LIVE PARTS PER UL1977 AND UL60950 (FORMERLY UL1950) FINGER PROBE REQUIREMENTS.
 - SEE SHEETS 1, 2 AND 3 FOR VERTICAL HEADER ASSEMBLIES AND THEIR RESPECTIVE PART NUMBERS.
 - SEE SHEETS 4, 5 AND 6 FOR RIGHT ANGLE HEADER ASSEMBLIES AND THEIR RESPECTIVE PART NUMBERS.
 - TERMINALS ARE ON .295/(7.49) CENTERLINE SPACING.
 - DIMENSIONS ARE FOR REFERENCE ONLY, UNLESS INDICATED OTHERWISE.
 - THIS PART CONFORMS TO CLASS B REQUIREMENTS OF COSMETIC SPEC PS-45499-002.

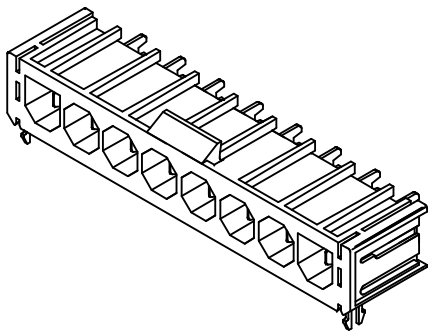
SOLDER TAIL	DIM. 'A' ±.01/(0.28)
SHORT	.150/(3.81)
LONG	.210/(5.33)

BOARD LOCK	DIM. 'B' ±.004/(0.10)
.062	.070/(1.78)
.094	.102/(2.59)
.125	.133/(3.38)

SEE SHEET 1 IEC NO. UCP2015-2602 DRAWN: JFOX 2014/10/23 CHKD: BANDERSON 2014/10/23 APPR: FSMITH 2015/01/05 REV: D1	QUALITY SYMBOLS ▽=0 ▽=0 ▽=0	GENERAL TOLERANCES (UNLESS SPECIFIED) <table border="1"> <thead> <tr> <th></th> <th>mm</th> <th>INCH</th> </tr> </thead> <tbody> <tr> <td>4 PLACES</td> <td>±.005</td> <td>±.005</td> </tr> <tr> <td>3 PLACES</td> <td>±.01</td> <td>±.01</td> </tr> <tr> <td>2 PLACES</td> <td>±.013</td> <td>±.01</td> </tr> <tr> <td>1 PLACE</td> <td>±.025</td> <td>±.01</td> </tr> <tr> <td>0 PLACE</td> <td>±.05</td> <td>±.01</td> </tr> </tbody> </table> ANGULAR ±1/2° DRAFT WHERE APPLICABLE MUST REMAIN WITHIN DIMENSIONS		mm	INCH	4 PLACES	±.005	±.005	3 PLACES	±.01	±.01	2 PLACES	±.013	±.01	1 PLACE	±.025	±.01	0 PLACE	±.05	±.01	DIMENSION STYLE IN/MM SCALE 3:1 DESIGN UNITS INCH THIRD ANGLE PROJECTION	DRAWN BY C STEWART DATE 04/28/05 CHECKED BY DATE APPROVED BY F SMITH DATE 2015/01/05	TITLE SABRE HEADER ASSY 2-6 & 8 CIR. FINGER-PROOF molex	MATERIAL NO. SEE CHART DOCUMENT NO. SD-46007-001	SHEET NO. 4 OF 6
		mm	INCH																						
	4 PLACES	±.005	±.005																						
	3 PLACES	±.01	±.01																						
2 PLACES	±.013	±.01																							
1 PLACE	±.025	±.01																							
0 PLACE	±.05	±.01																							
THIS DRAWING CONTAINS INFORMATION THAT IS PROPRIETARY TO MOLEX INCORPORATED AND SHOULD NOT BE USED WITHOUT WRITTEN PERMISSION																									
SIZE D																									
DIM. 'A' (TYP.) DIM. 'B' (2 PL.)																									

	20	19	18	17	16	15	14	13	12	11	10	9	8	7	6	5	4	3	2	1																																		
	RT. ANGLE HEADER ASSEMBLY ITEM NO.					PART CHARACTERISTICS FOR RIGHT ANGLE HEADER					PACKAGING SPECIFICATIONS					RT. ANGLE HEADER ASSEMBLY ITEM NO.					PART CHARACTERISTICS FOR RIGHT ANGLE HEADER					PACKAGING SPECIFICATIONS					RT. ANGLE HEADER ASSEMBLY ITEM NO.					PART CHARACTERISTICS FOR RIGHT ANGLE HEADER					PACKAGING SPECIFICATIONS													
	CIRCUIT SIZE	HSG. MAT'L (SEE NOTE 1)	SOLDER TAIL	BOARD LOCK		CIRCUIT SIZE	HSG. MAT'L (SEE NOTE 1)	SOLDER TAIL	BOARD LOCK		CIRCUIT SIZE	HSG. MAT'L (SEE NOTE 1)	SOLDER TAIL	BOARD LOCK		CIRCUIT SIZE	HSG. MAT'L (SEE NOTE 1)	SOLDER TAIL	BOARD LOCK		CIRCUIT SIZE	HSG. MAT'L (SEE NOTE 1)	SOLDER TAIL	BOARD LOCK		CIRCUIT SIZE	HSG. MAT'L (SEE NOTE 1)	SOLDER TAIL	BOARD LOCK		CIRCUIT SIZE	HSG. MAT'L (SEE NOTE 1)	SOLDER TAIL	BOARD LOCK		CIRCUIT SIZE	HSG. MAT'L (SEE NOTE 1)	SOLDER TAIL	BOARD LOCK															
	46007-1102	2	A	SHORT	N/A	PK-43160-0010	46007-1104	4	A	SHORT	N/A	PK-43160-0010	46007-1106	6	A	SHORT	N/A	PK-43160-0010	46007-1302	2	A	LONG	N/A	PK-43789-001	46007-1304	4	A	LONG	N/A	PK-43789-001	46007-1306	6	A	LONG	N/A	PK-43789-001	46007-3102	2	A	SHORT	.062	PK-43789-001	46007-3104	4	A	SHORT	.062	PK-43789-001	46007-3106	6	A	SHORT	.062	PK-43789-001
	46007-5102	2	A	SHORT	.094	PK-43789-001	46007-5104	4	A	LONG	.094	PK-43789-001	46007-5106	6	A	SHORT	.094	PK-43789-001	46007-5302	2	A	LONG	.094	PK-43789-001	46007-5304	4	A	LONG	.125	PK-43789-001	46007-5306	6	A	LONG	.094	PK-43789-001	46007-7302	2	A	LONG	.125	PK-43789-001	46007-7304	4	A	SHORT	N/A	PK-43160-0010	46007-7306	6	A	LONG	.125	PK-43789-001
	46007-1103	3	A	SHORT	N/A	PK-43160-0010	46007-1105	5	A	LONG	N/A	PK-43789-001	46007-1107	7	A	SHORT	N/A	PK-43789-001	46007-1303	3	A	LONG	N/A	PK-43789-001	46007-1305	5	A	SHORT	.062	PK-43789-001	46007-1307	7	A	SHORT	.062	PK-43789-001	46007-3103	3	A	SHORT	.062	PK-43789-001	46007-3105	5	A	SHORT	.094	PK-43789-001	46007-3107	7	A	SHORT	.094	PK-43789-001
	46007-5103	3	A	SHORT	.094	PK-43789-001	46007-5105	5	A	LONG	.094	PK-43789-001	46007-5107	7	A	LONG	.094	PK-43789-001	46007-5303	3	A	LONG	.094	PK-43789-001	46007-5305	5	A	LONG	.125	PK-43789-001	46007-5307	7	A	LONG	.125	PK-43789-001	46007-7303	3	A	LONG	.125	PK-43789-001	46007-7305	5	A	LONG	.125	PK-43789-001						

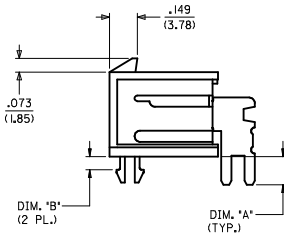
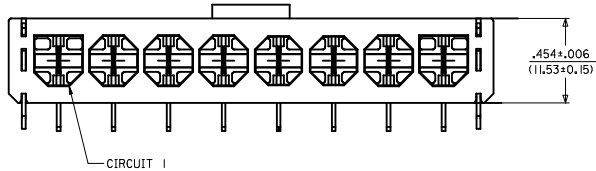
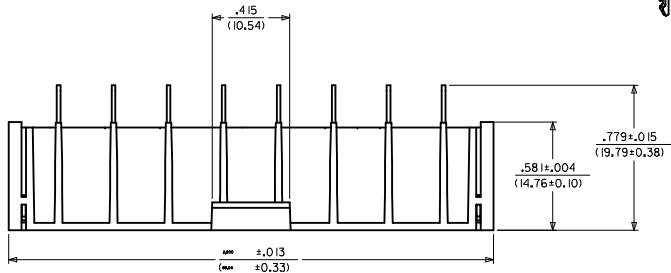
SEE SHEET 1 IEC NO. UCP2015-2602 DRAWN: JDFOX 2014/10/23 CHECKED: BANDERSON 2014/10/23 APPR: FSMITH 2015/01/05	QUALITY SYMBOLS	GENERAL TOLERANCES (UNLESS SPECIFIED)	DIMENSION STYLE	SCALE	DESIGN UNITS	THIRD ANGLE PROJECTION
	▽=0	4 PLACES ±.005	IN/MM	3:1	INCH	DRAWN BY DATE C STEWART 04/28/05 CHECKED BY DATE APPROVED BY DATE F SMITH 2015/01/05
	▽=0	3 PLACES ±.005			TITLE SABRE HEADER ASSY 2-6 & 8 CIR. FINGER-PROOF 	
	▽=0	2 PLACES ±0.13				MATERIAL NO. SEE CHART
	1 PLACE ±0.25	ANGULAR ±1/2°			DOCUMENT NO. SD-46007-001	
	0 PLACE ±.005	DRAFT WHERE APPLICABLE MUST REMAIN WITHIN DIMENSIONS			SHEET NO. 5 OF 6	
					SIZE D	
					THIS DRAWING CONTAINS INFORMATION THAT IS PROPRIETARY TO MOLEX INCORPORATED AND SHOULD NOT BE USED WITHOUT WRITTEN PERMISSION	



BOARD LOCK	DIM. "B" $\pm .004$ (0.10)
.062	.070 (1.78)
.094	.102 (2.59)
.125	.133 (3.38)

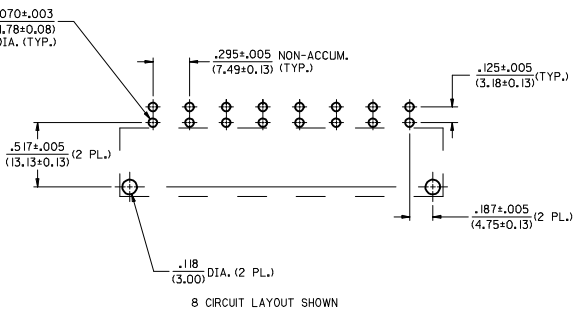
SOLDER TAIL	DIM. "A" $\pm .011$ (0.28)
SHORT	.150 (3.81)
LONG	.210 (5.33)

RT. ANGLE HEADER ASSEMBLY ITEM NO.	PART CHARACTERISTICS FOR RIGHT ANGLE HEADER				PACKAGING SPECIFICATIONS
	CIRCUIT SIZE	HSG. MAT'L (SEE NOTE 1)	SOLDER TAIL	BOARD LOCK	
110	*	*	SHORT	N/A	PK-43160-0010
130	*	*	LONG	N/A	PK-43789-001
310	*	*	SHORT	.062	PK-43789-001
510	*	*	SHORT	.094	PK-43789-001
530	*	*	LONG	.094	PK-43789-001
730	*	*	LONG	.125	PK-43789-001



RECOMMENDED P.C. BOARD LAYOUT FOR RIGHT ANGLE HEADERS

SCALE 2:1



8 CIRCUIT LAYOUT SHOWN

SEE SHEET 1 IEC NO. UCP2015-2602 DRAWN: DFOX 2014/10/23 CHECKED: BANDERSON 2014/10/23 APPROVED: FSMITH 2015/01/05	QUALITY SYMBOLS ▽=0 ▽=0 ▽=0	GENERAL TOLERANCES (UNLESS SPECIFIED)		DIMENSION STYLE IN/MM	SCALE 3:1	DESIGN UNITS INCH	THIRD ANGLE PROJECTION
		4 PLACES ± --- ± --- 3 PLACES ± --- ± .005 2 PLACES ± 0.13 ± .01 1 PLACE ± 0.25 ± --- 0 PLACE ± --- ± ---	mm INCH ± --- ± --- ± 0.13 ± .01 ± 0.25 ± --- ± --- ± ---	DRAWN BY C STEWART DATE 04/28/05	CHECKED BY DATE	APPROVED BY FSMITH DATE 2015/01/05	MATERIAL NO. SEE CHART
DRAFT WHERE APPLICABLE MUST REMAIN WITHIN DIMENSIONS		THIS DRAWING CONTAINS INFORMATION THAT IS PROPRIETARY TO MOLEX INCORPORATED AND SHOULD NOT BE USED WITHOUT WRITTEN PERMISSION					

SABRE HEADER ASSY
2-6 & 8 CIR.
FINGER-PROOF

molex

SD-46007-001