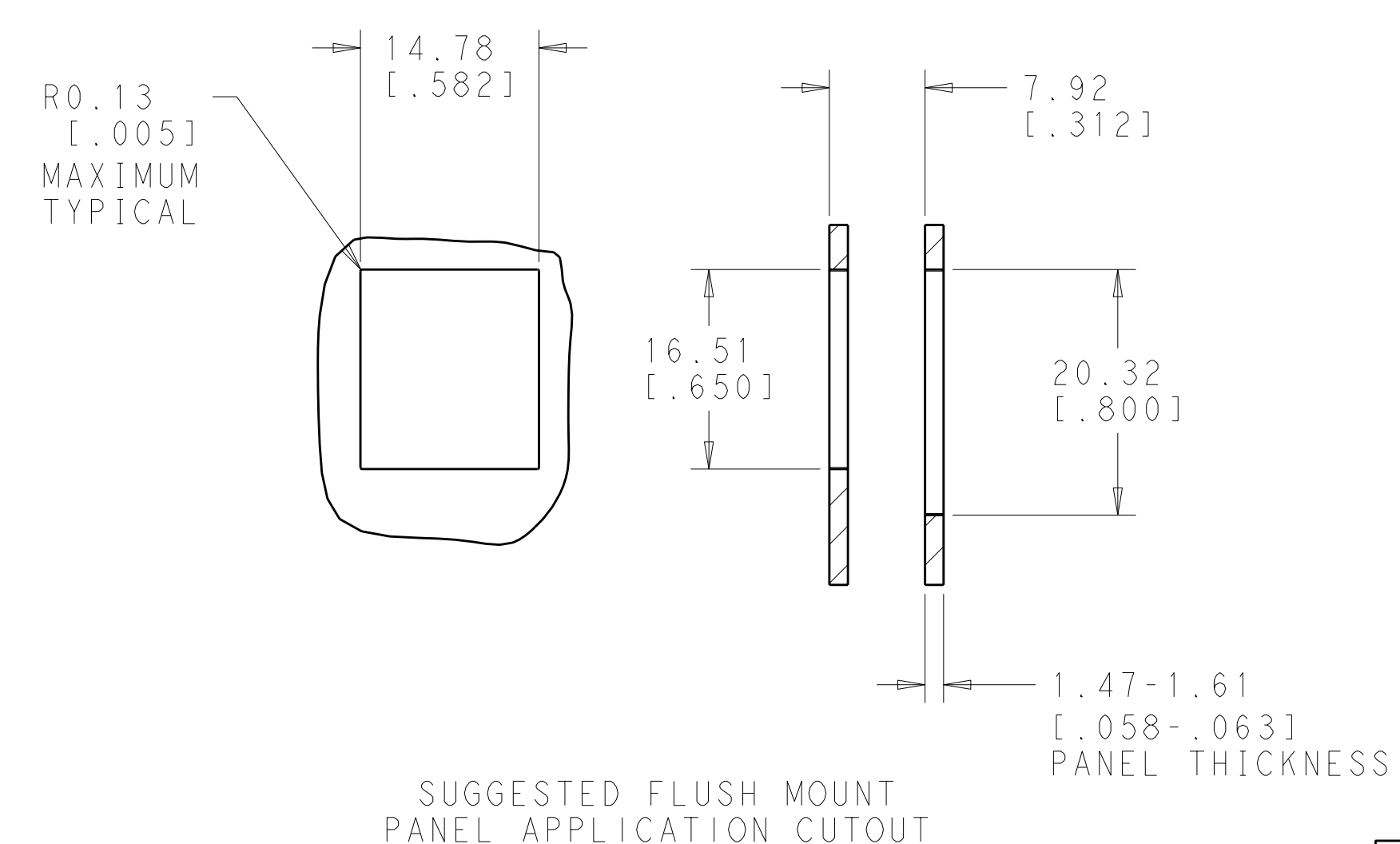
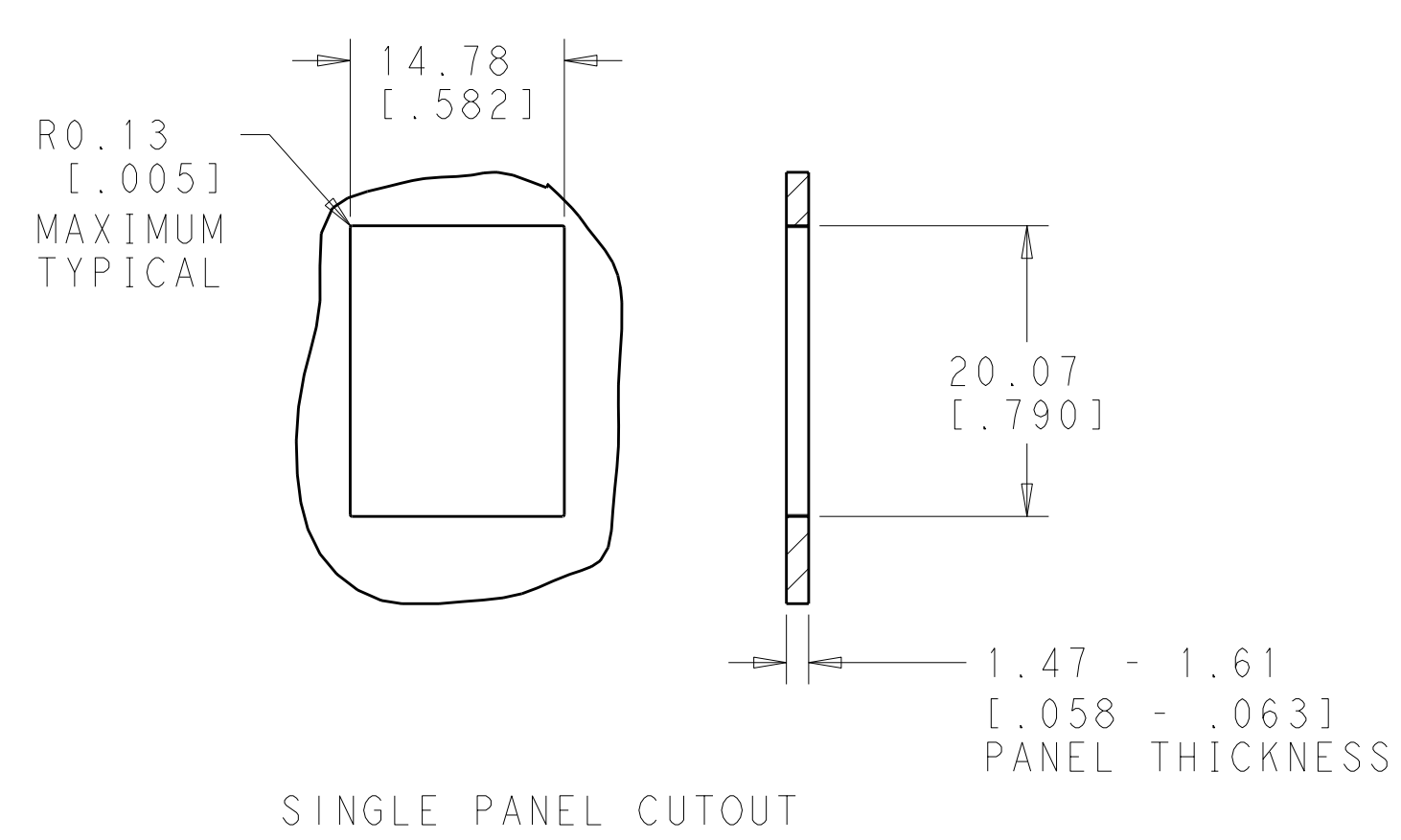
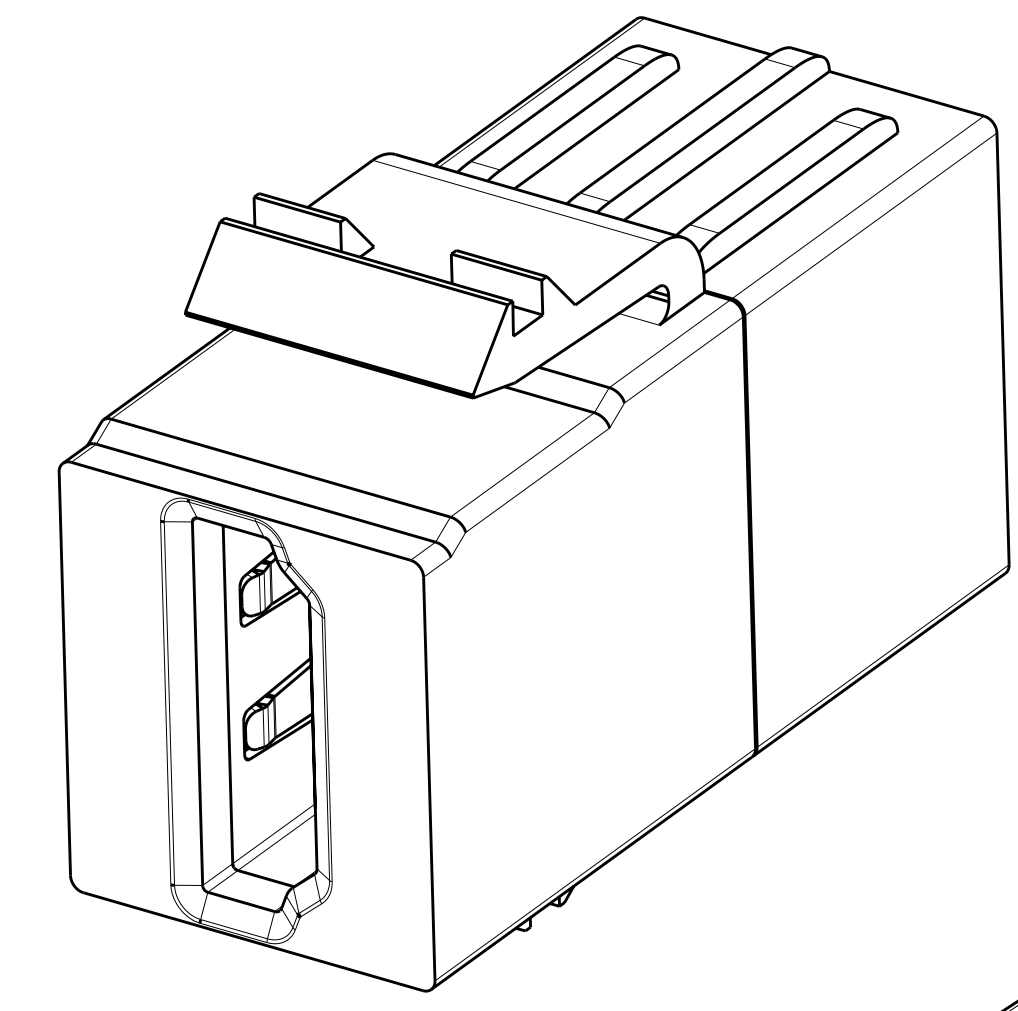
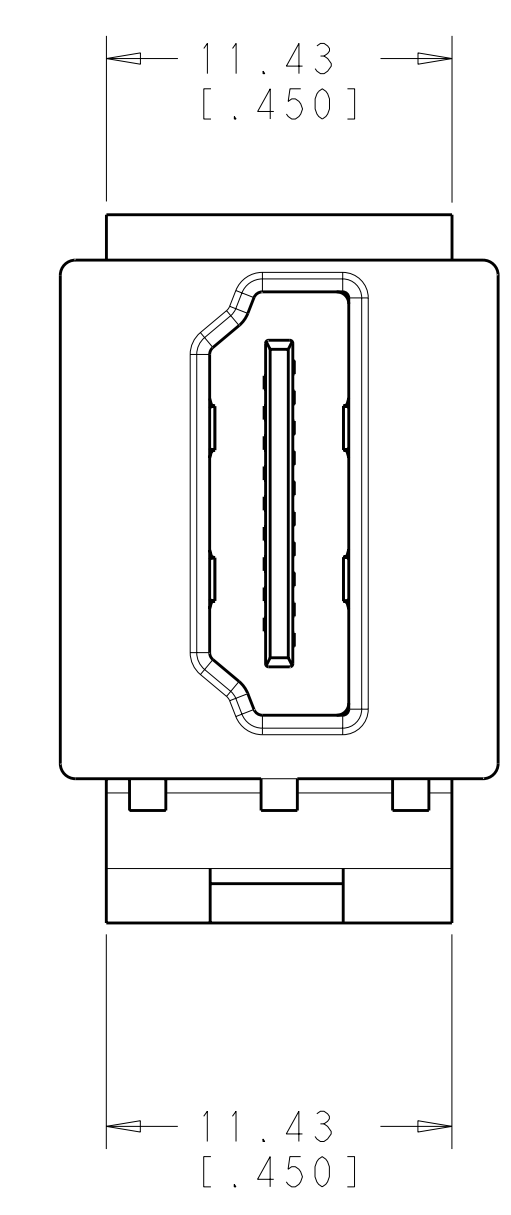
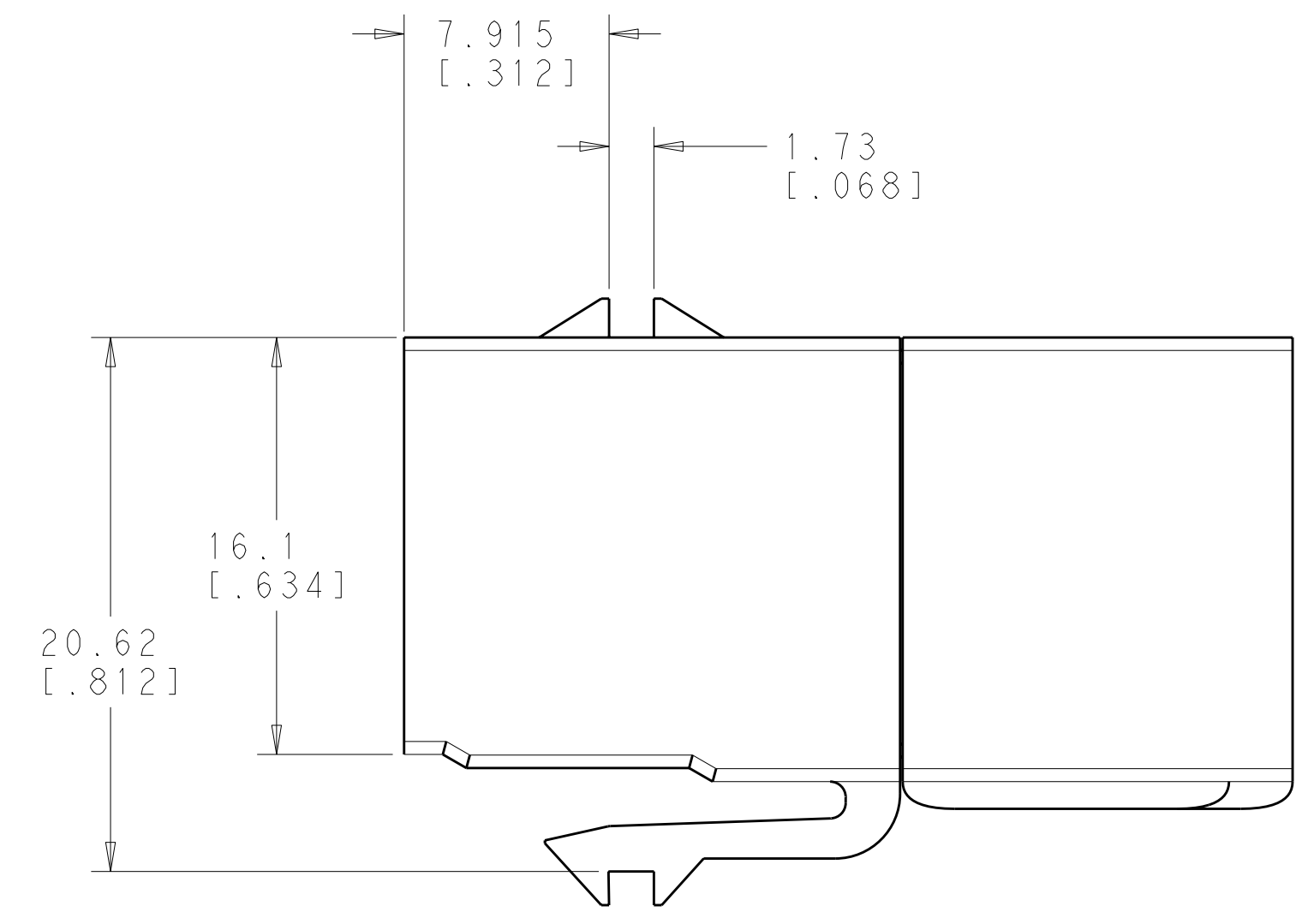
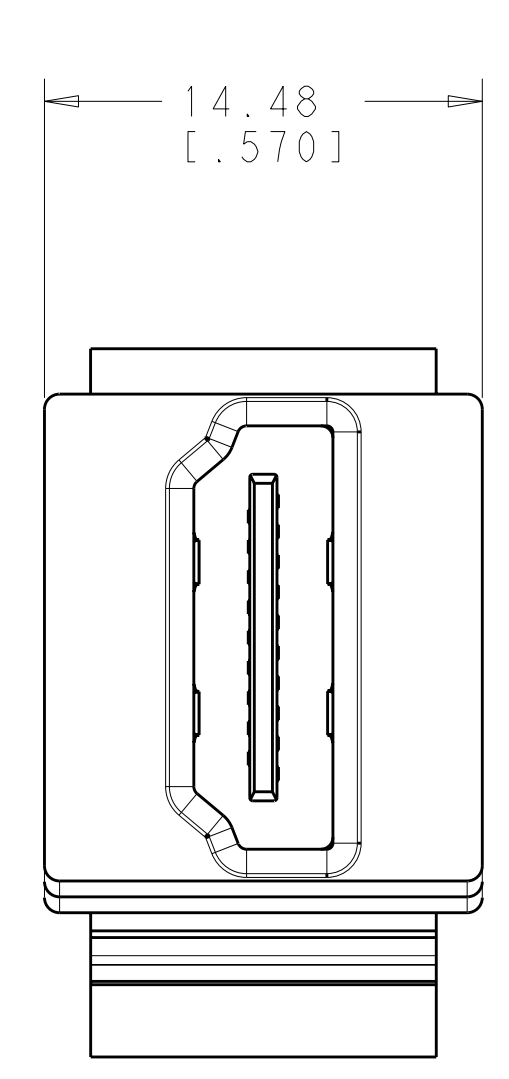
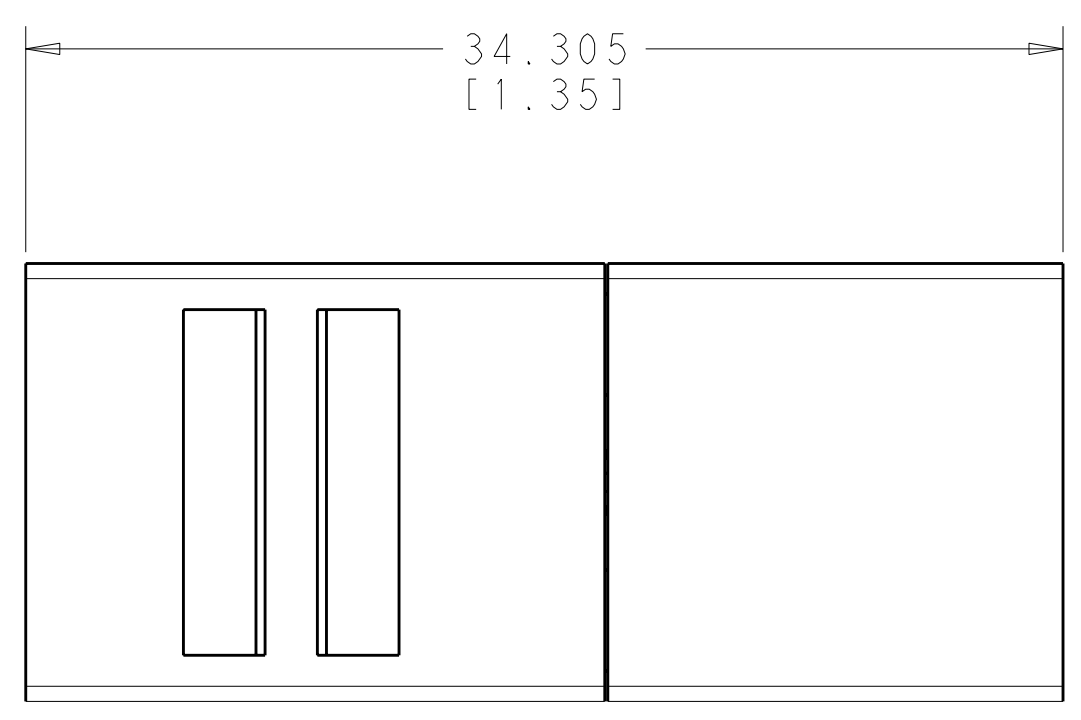


LOC	DIST	REVISIONS			
		REV	DATE	BY	APPD
HM	00	A	11 JUN 2010	GG	RA



- 1 MATERIAL: ABS MOLDING COMPOUND.
UL94V-0 THERMOPLASTIC.
- 2 ALL DIMENSIONS SHOWN ARE NOMINAL.
3. ELECTRICAL:
- CONTACT CURRENT RATING: 0.5A MIN.
 - VOLTAGE RATING: 40V AC(rms)
 - INSULATION RESISTANCE: 100M OHMS MIN
 - CONTACT RESISTANCE: 10M OHMS MAX
 - DIELECTRIC WITHSTANDING VOLTAGE: 300V AC
 - OPERATION TEMPERATURE: -55°C TO +85°C
4. MECHANICAL:
- INSERTION FORCE: 4.5KGF MAX
 - WITHDRAW FORCE: 0.5KGF - 4KGF
 - DURABILITY MATING CYCLE: 10,000 CYCLES MIN

BLACK	2111500-2
COLOR	PART NUMBER
Tyco Electronics Corporation Harrisburg, PA 17105-3608	
NAME: HDMI COUPLER, SL	
SIZE	CAGE CODE
A100779	C=2111500
CUSTOMER DRAWING	
SCALE	SHEET
4:1	1 OF 1
REV	A

DIMENSIONS:	TOLERANCES UNLESS OTHERWISE SPECIFIED:
mm [INCHES]	0 PLC ±
	1 PLC ±
	2 PLC ±
	3 PLC ±
	4 PLC ±
	ANGLES ±
MATERIAL:	FINISH: